

717480312

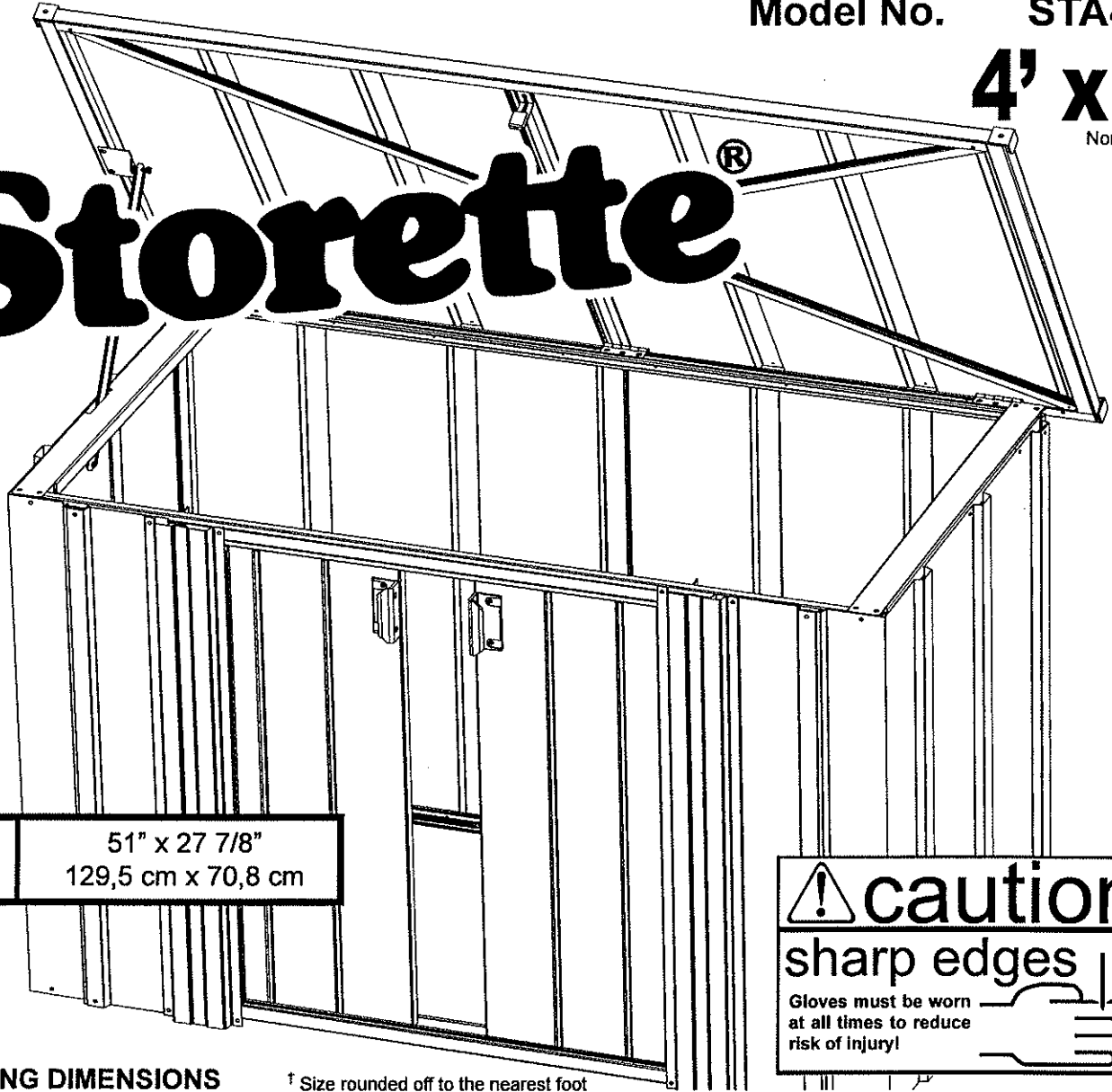
# Owner's Manual & Assembly Guide



Model No. STA42-A

**4' x 2'**  
Nominal Size

# Storette®



**Base Size** 51" x 27 7/8"  
129,5 cm x 70,8 cm

**caution**  
sharp edges \*

Gloves must be worn at all times to reduce risk of injury!

**BUILDING DIMENSIONS**

† Size rounded off to the nearest foot

Approx. † Size	Storage Area		Exterior Dimensions (Lid Edge to Lid Edge)			Interior Dimensions (Wall to Wall)			Door Opening	
			Width	Depth	Height	Width	Depth	Height	Width	Height
4' x 2'	9 Sq. Ft.	26 Cu. Ft.	54 3/4"	30 1/2"	36"	49 1/2"	26 3/8"	35"	23 5/8"	32 1/2"
1,3 m x 0,7 m	0,8 m <sup>2</sup>	0,7 m <sup>3</sup>	139,1 cm	77,5 cm	91,4 cm	125,7 cm	67,0 cm	88,9 cm	60,0 cm	82,6 cm

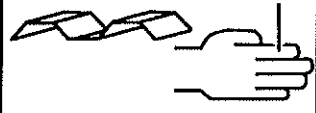
\* See Inside for Detailed Safety Information.

**MADE IN USA**

# BEFORE YOU BEGIN...

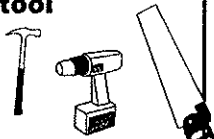
**Safety precautions MUST be followed at all times throughout the construction of your Storette®!**

## sharp edges



•Care must be taken when handling various pieces of your Storette® since many contain sharp edges. Please wear work gloves, eye protection and long sleeves when assembling or performing any maintenance on your Storette®.

## always practice proper tool safety



•Practice caution with the tools being used in the assembly of your Storette®. Be especially familiar with the operation of all power tools.

•Keep children and pets away from the worksite during construction. Do not allow children to help with assembly.

## no children or pets at worksite



•Do NOT attempt to assemble your Storette® on a windy day. The large panels can catch the wind like a "sail", causing them to be whipped around making construction difficult and unsafe.

•If possible, two people should work together to assemble your Storette®. This will make assembly faster and easier.

## beware of wind

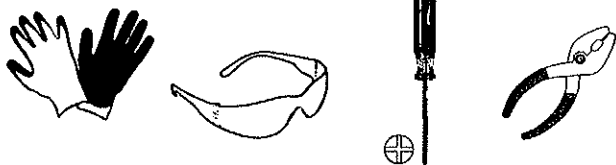


•Your Storette® needs to be anchored after assembly. The Storette® may be anchored to a deck or concrete patio using deck screws or concrete anchors. You may also anchor it to any flat, level surface. Alternatively, patio blocks may be used to anchor the Storette®. See back page for more info.

Reading and following all steps carefully will help make assembly quicker and easier. Before you begin assembly, be sure to confirm that all the parts for your building are present using the checklist on pages 3 and 4. If parts are missing, include the model number of your building and contact the retailer where you purchased your Storette®.

Below is a list of things you will need to assemble your Storette®.

## WHAT YOU NEED



- Work Gloves
- Safety Glasses
- No. 2 Phillips Screwdriver (Magnetic Tip Preferred)
- Pliers

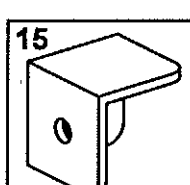
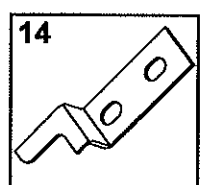
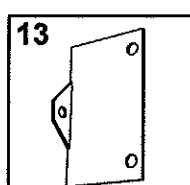
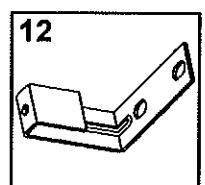
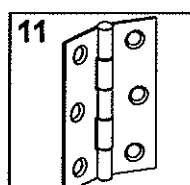
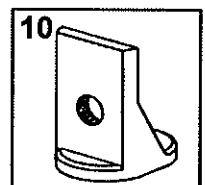
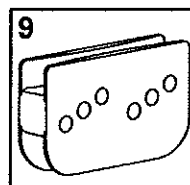
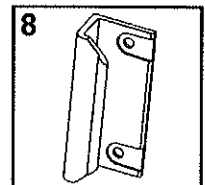
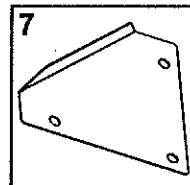
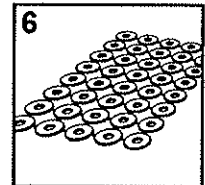
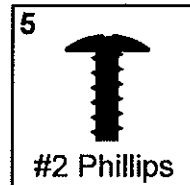
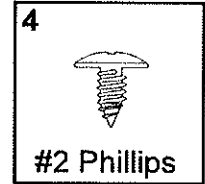
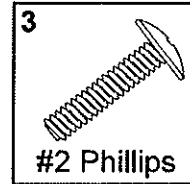
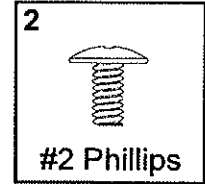
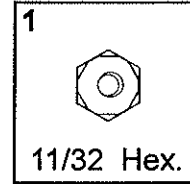
## RECOMMENDED TIME SAVERS



- Power Drill (Cordless, Variable Speed)
- Nut Driver or Wrench
- Awl (to align holes)

# HARDWARE LIST...

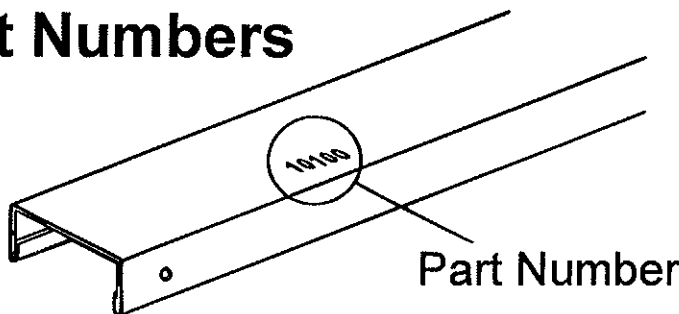
Key No.	Part No.	Part Description	Qty.	✓ List
1	65103	Hex Nut (#8-32)	61	
2	65923	Bolt (#8-32 x 3/8) (10 mm)	56	
3	65958	Long Bolt (#8-32 x 7/8) (22 mm)	2	
4	65004	Screw (#8AB x 5/16) (8 mm)	64	
5	65900A	Black Screw (#10B x 1/2) (13 mm)	8	
6	66646	Washer Sheet	2	
7	6481	Gusset	2	
8	66045	Door Handle	2	
9	66769	Door Slide	4	
10	66382	Door Guide	4	
11	66609	Hinge	3	
12	10670	Lid Latch Bracket	1	
13	10671	Lid Support Arm Bracket	1	
14	10672	Door Latch Finger	1	
15	60H	Corner Caps	4	



Confirm that all hardware and parts are present before attempting to assemble your Storette®.

For missing parts, include the model number of your building and contact the retailer where you purchased your Storette®.

## Part Numbers



1. Each part has an identifying part number on it.
2. Part Numbers are referenced in each step.
3. Unpainted parts have a stamped in number and painted parts have a number that is inked on.

Remove inked on numbers with soap and water after assembly.



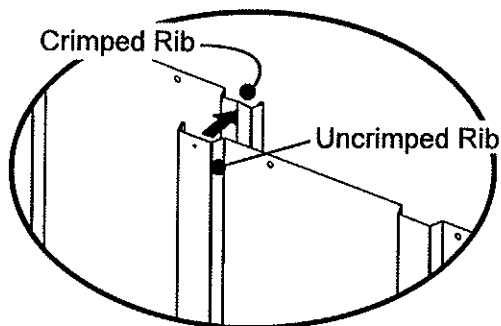
# PARTS LIST...

Key No.	Part No.	Part Description	Qty.	✓ List
1	10653	Door Jamb	2	
2	10654	Door Track	1	
3	10655	Front Bottom Channel	1	
4	10656	Front Corner Panel	2	
5	10657	Front Wall Panel	2	
6	10658	Horizontal Door Brace	4	
7	10659	Lid Diagonal Brace	2	
8	10660	Front Lid Channel	1	
9	10661	Rear Lid Channel	1	
10	10662	Right Lid Channel	1	
11	10663	Lower Door Track Angle	1	
12	10664	Right Door	1	
13	10665	Rear Bottom Angle	1	
14	10666	Right Lid Panel	1	
15	10667	Rear Top Angle	1	
16	10668	Right Top Channel	1	
17	10669	Side Bottom Angle	2	
18	80039	Left Door	1	
19	80041	Left Lid Panel	1	
20	80043	Left Top Channel	1	
21	80045	Left Lid Channel	1	
22	9537	Rear Corner Panel	2	
23	9767	Lid Support Arm	1	

## Selected End Views by Key No.

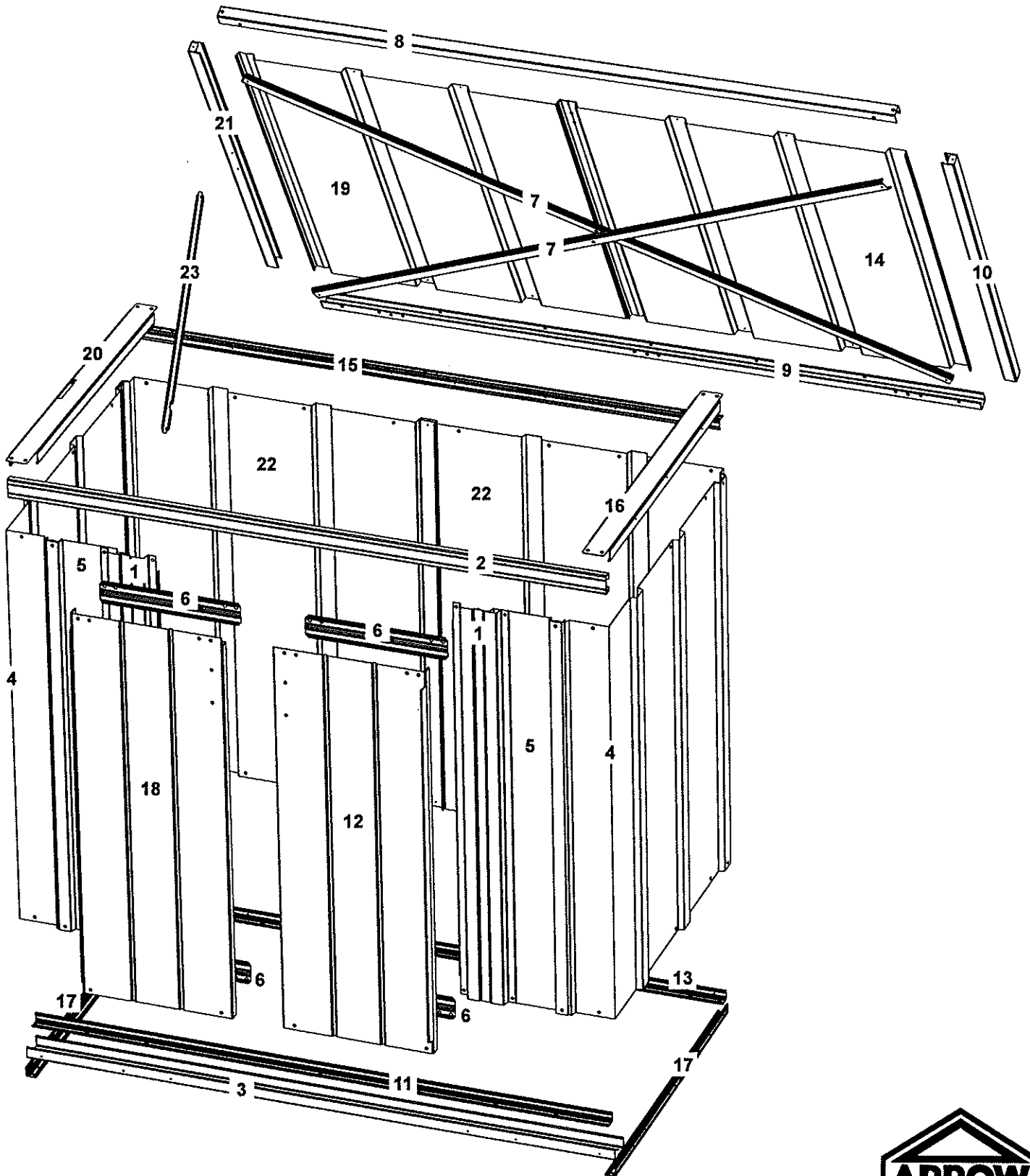
<b>1</b>  Painted	<b>2</b>  Painted	<b>3</b>  Unpainted
<b>6</b>  Unpainted	<b>7</b>  Unpainted	<b>8</b>  Painted
<b>9</b>  Painted	<b>10</b>  Painted	<b>11</b>  Unpainted
<b>13</b>  Unpainted	<b>15</b>  Unpainted	<b>16</b>  Unpainted
<b>17</b>  Unpainted	<b>20</b>  Unpainted	<b>21</b>  Painted
<b>23</b>  Unpainted		

## Some Tips for Assembly:



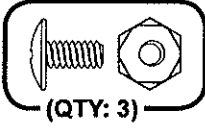
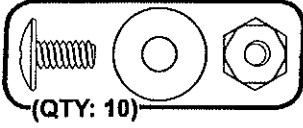
Whenever a crimped rib and an uncrimped rib meet, the crimped rib should be placed **UNDER** the uncrimped rib if possible.

# ASSEMBLY BY KEY NO.



# Step 1

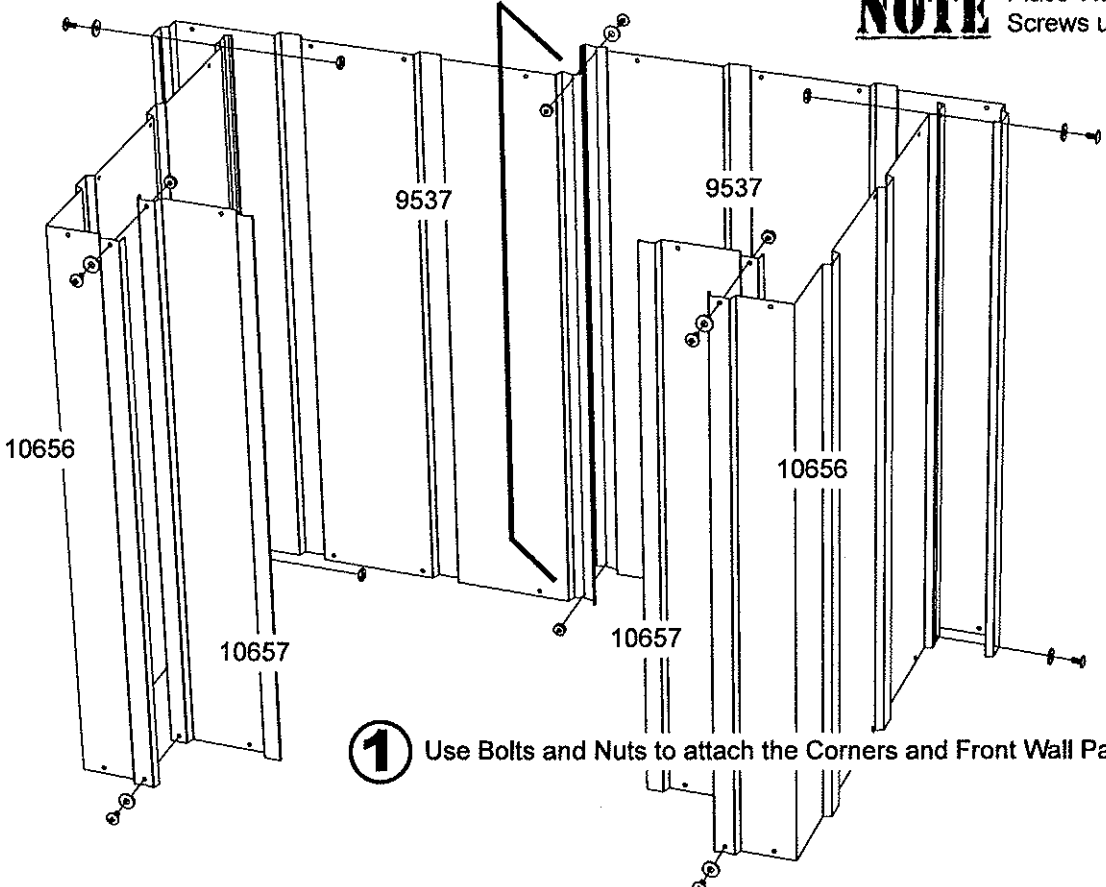
You will need for this page:



- 10656 Front Corner Panel (2)
- 9537 Rear Corner Panel (2)
- 10657 Front Wall Panel (2)
- 10655 Front Bottom Channel (1)
- 10663 Lower Door Track Angle (1)

ATTACH IN REAR FIRST FOR EASIER ASSEMBLY.

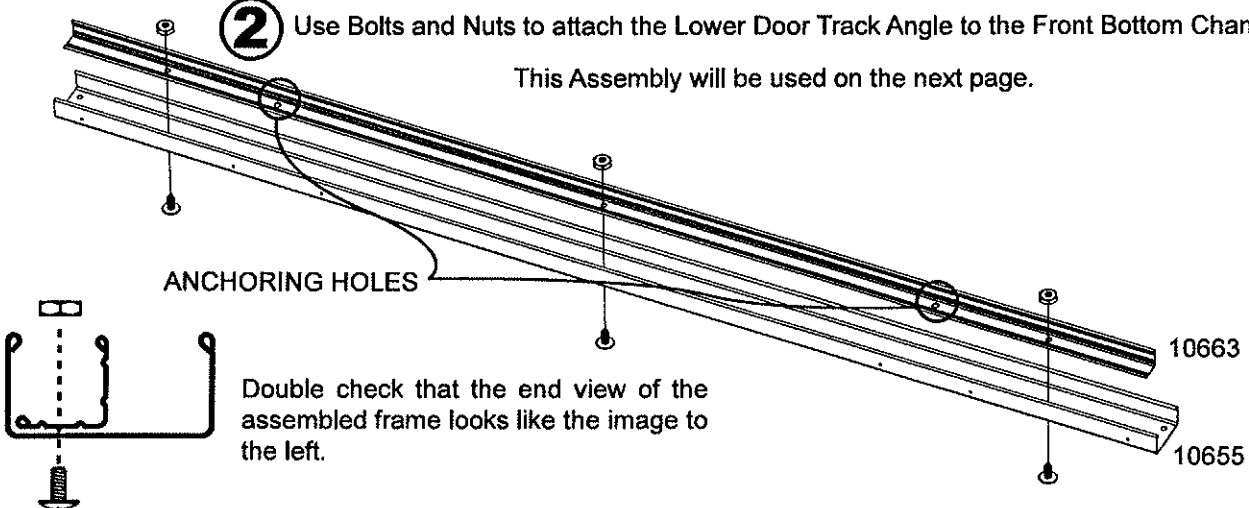
**NOTE** Place Washers on all Bolts and Screws used on painted parts.



**1** Use Bolts and Nuts to attach the Corners and Front Wall Panels as shown.

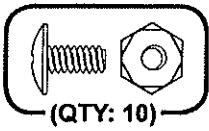
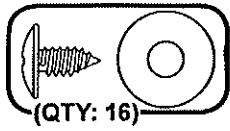
**2** Use Bolts and Nuts to attach the Lower Door Track Angle to the Front Bottom Channel as shown.

This Assembly will be used on the next page.

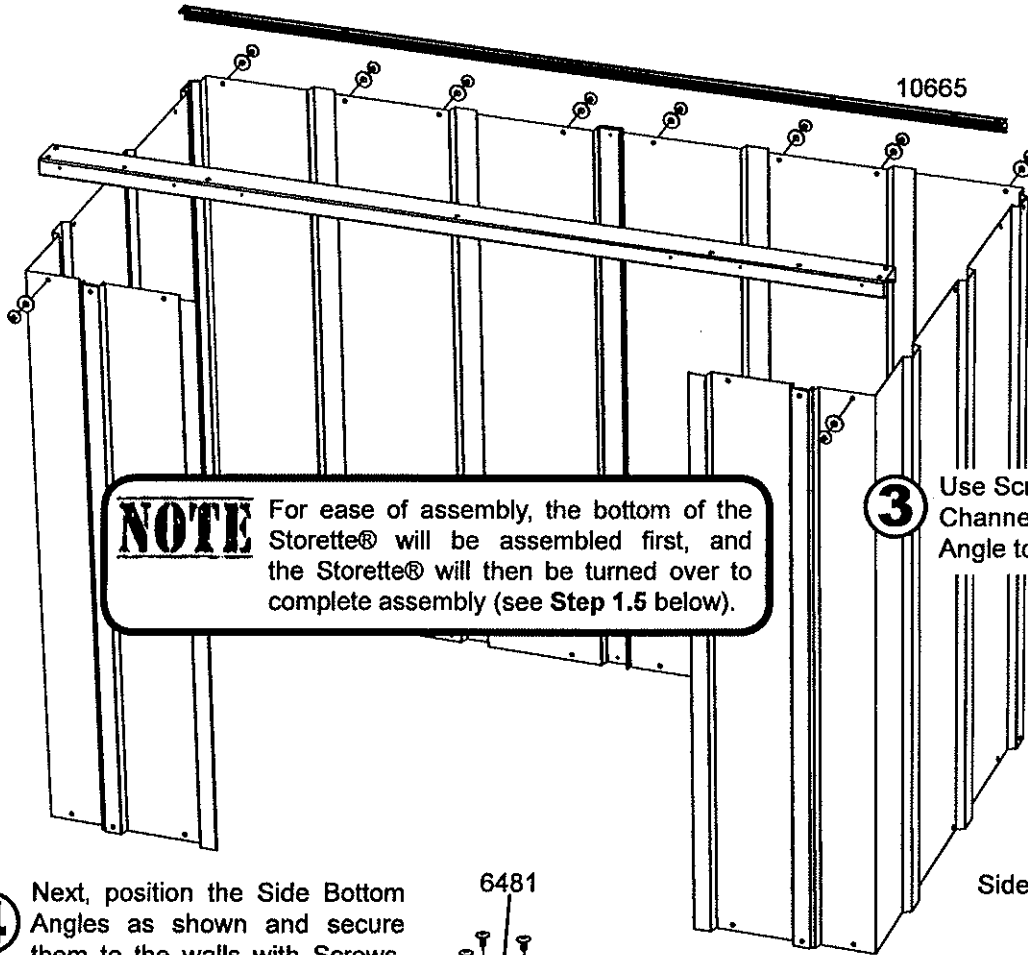


Double check that the end view of the assembled frame looks like the image to the left.

You will need for this page:

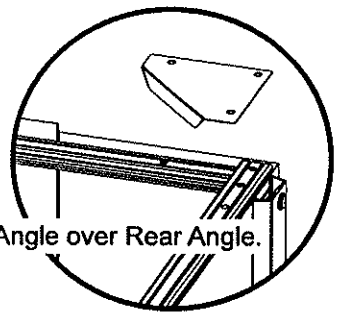


- Front Bottom Channel Assembly from previous page
- 10665 Rear Bottom Angle (1)
- 10669 Side Bottom Angle (2)
- 6481 Gusset (2)



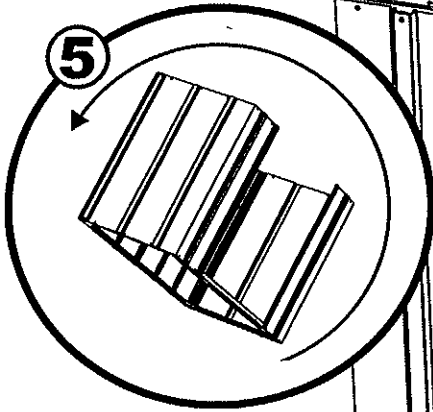
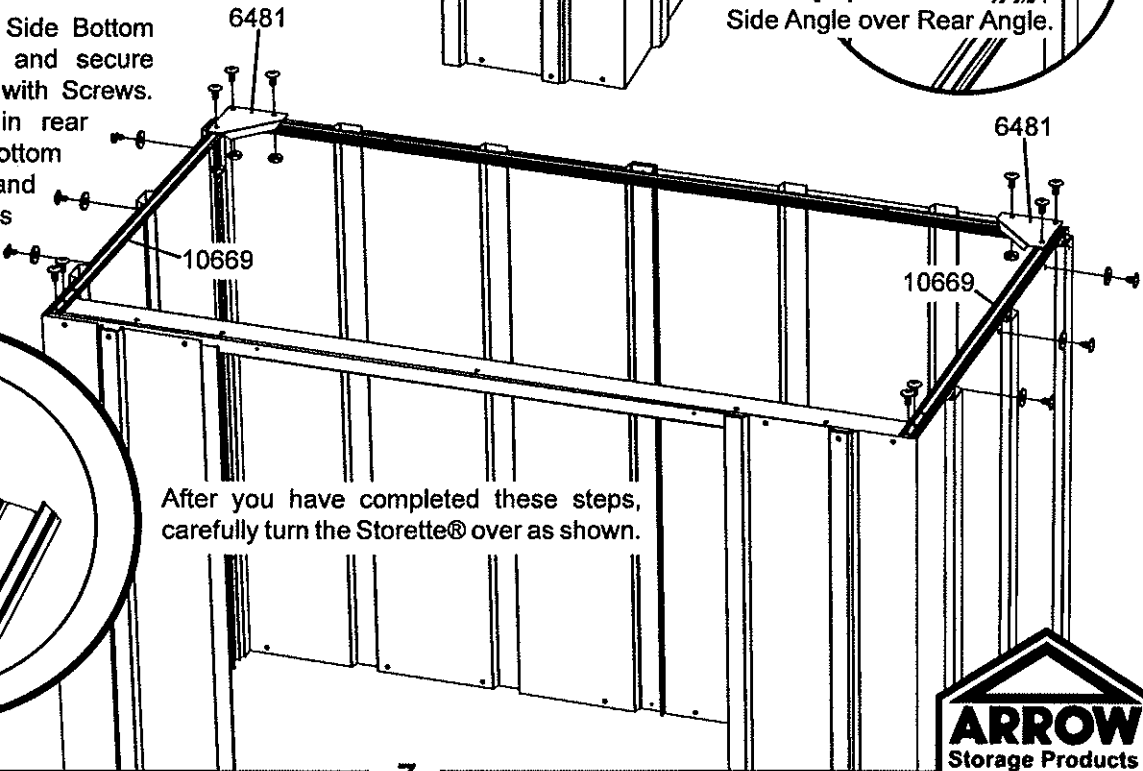
**NOTE** For ease of assembly, the bottom of the Storette® will be assembled first, and the Storette® will then be turned over to complete assembly (see Step 1.5 below).

**3** Use Screws to attach the Front Bottom Channel Assembly and Rear Bottom Angle to the Walls as shown.



Side Angle over Rear Angle.

**4** Next, position the Side Bottom Angles as shown and secure them to the walls with Screws. Position the Gussets in rear and secure the Side Bottom Angles to the Front and Rear Frames using Bolts and Nuts as shown.



**5** After you have completed these steps, carefully turn the Storette® over as shown.

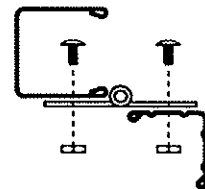
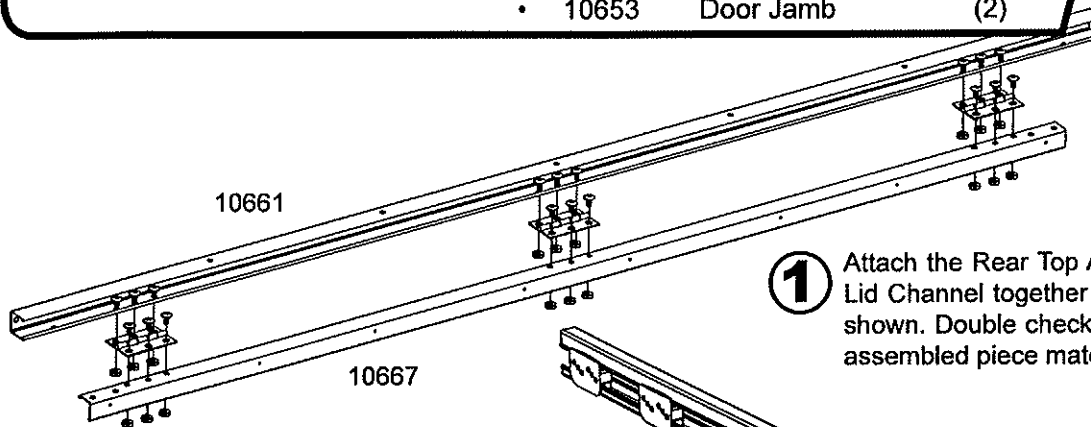


# Step 2

You will need for this page:



- 10667 Rear Top Angle (1)
- 10661 Rear Lid Channel (1)
- 66609 Hinge (3)
- 10654 Door Track (1)
- 66769 Door Slide (4)
- 10653 Door Jamb (2)

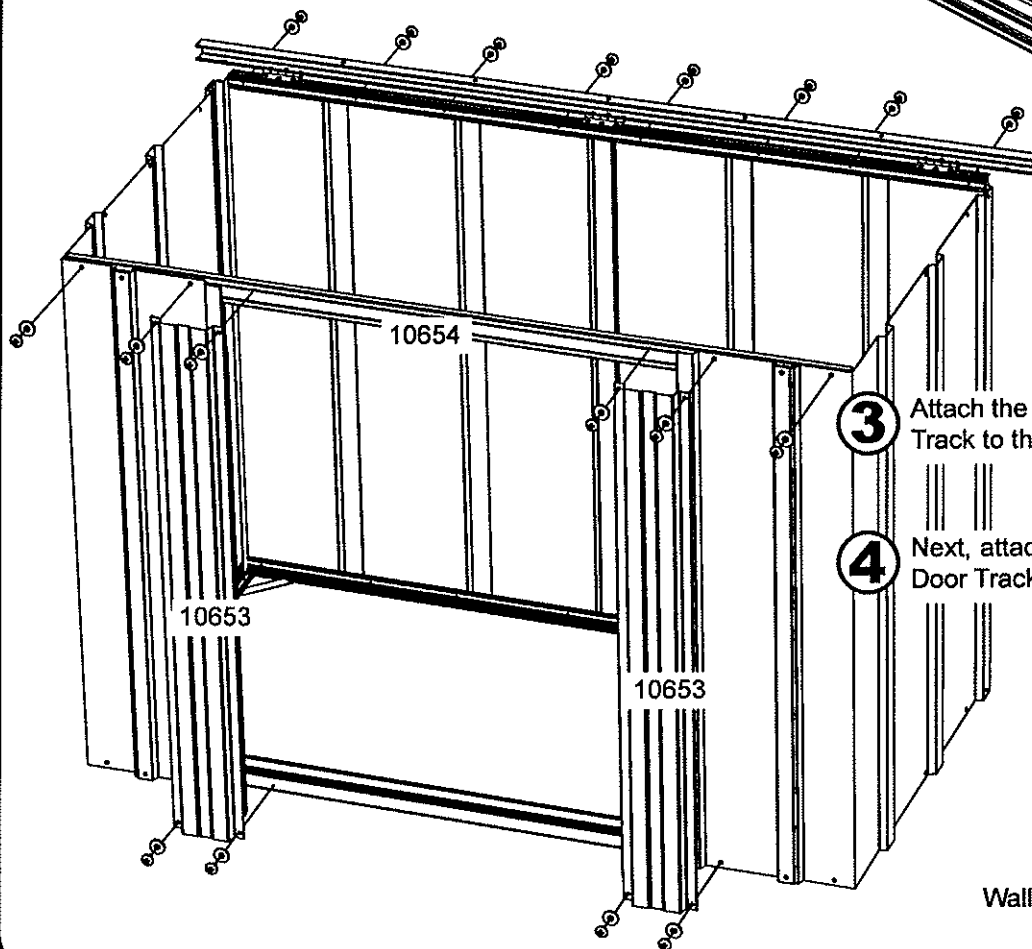
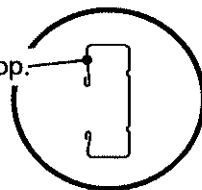


**1** Attach the Rear Top Angle, Hinges, and Rear Lid Channel together using Bolts and Nuts as shown. Double check that the end view of the assembled piece matches the image above.

**2** Slide ALL Door Slides into the Door Track before installation.

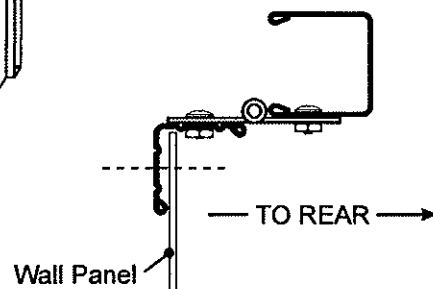
Long leg on top.

10654



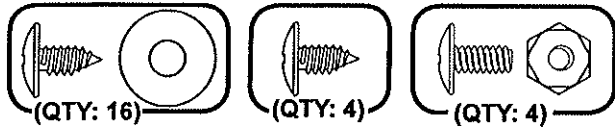
**3** Attach the Rear Top Angle Assembly and Door Track to the Walls with Screws as shown.

**4** Next, attach the Door Jamba to the Walls and Door Track as shown.





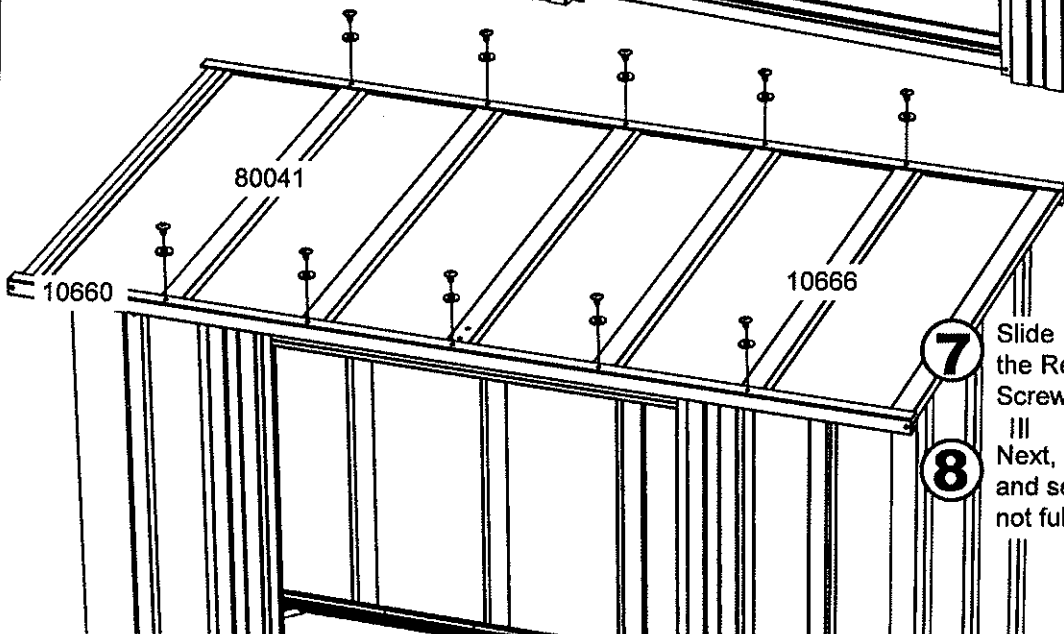
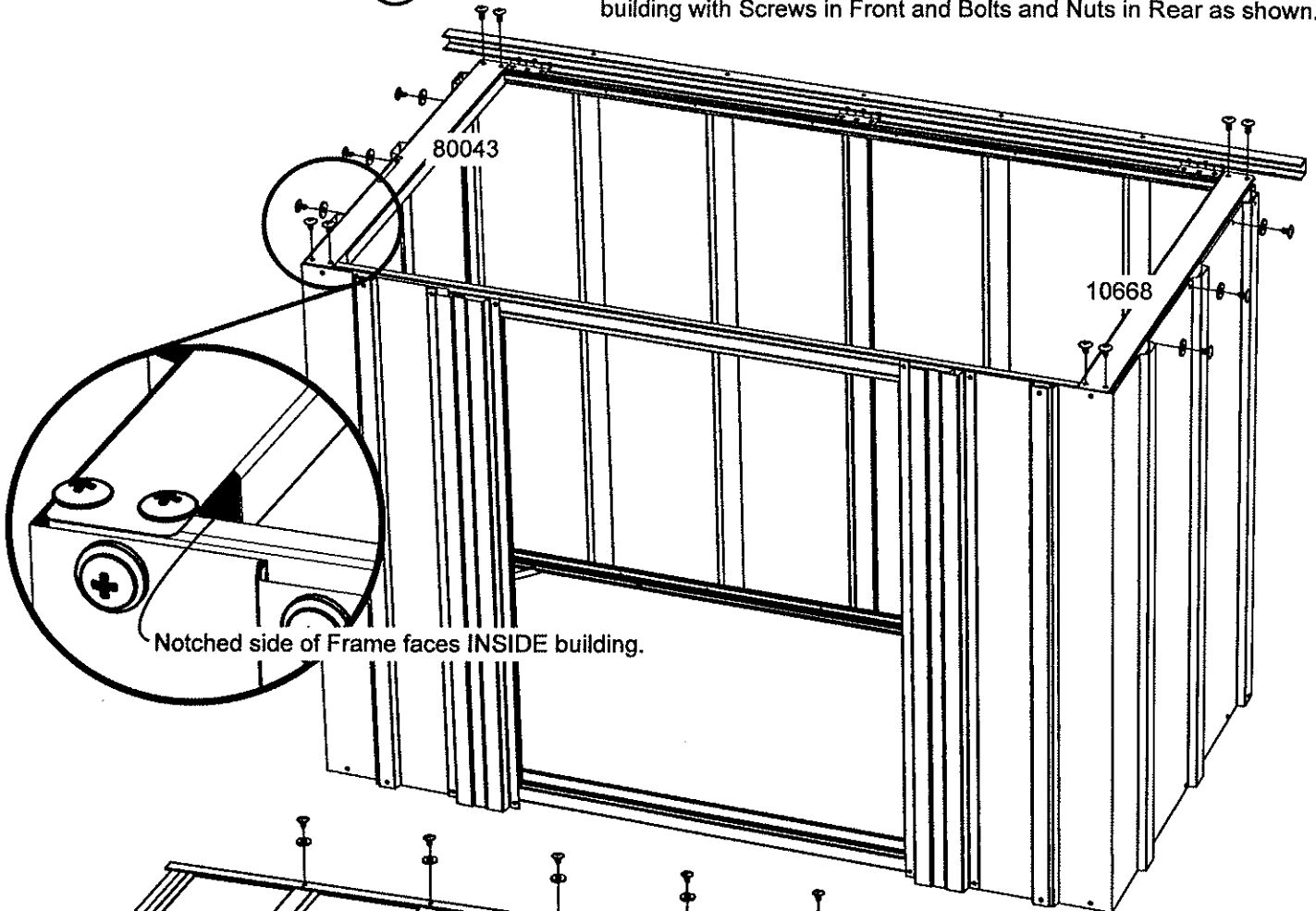
**You will need for this page:**



- 10668 Right Top Channel (1)
- 80043 Left Top Channel (1)
- 10666 Right Lid Panel (1)
- 80041 Left Lid Panel (1)
- 10660 Front Lid Channel (1)

**5** Position the Left and Right Top Channels as shown and secure to Walls with Screws.

**6** Next, secure the Left and Right Top Channels to the Front and Rear of the building with Screws in Front and Bolts and Nuts in Rear as shown.



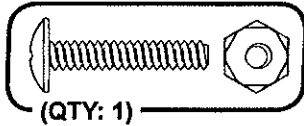
**7** Slide Left and Right Lid Panels into the Rear Lid Channel and secure with Screws as shown. Do not fully tighten.

**8** Next, position the Front Lid Channel and secure with Screws as shown. Do not fully tighten at this time.



# Step 3

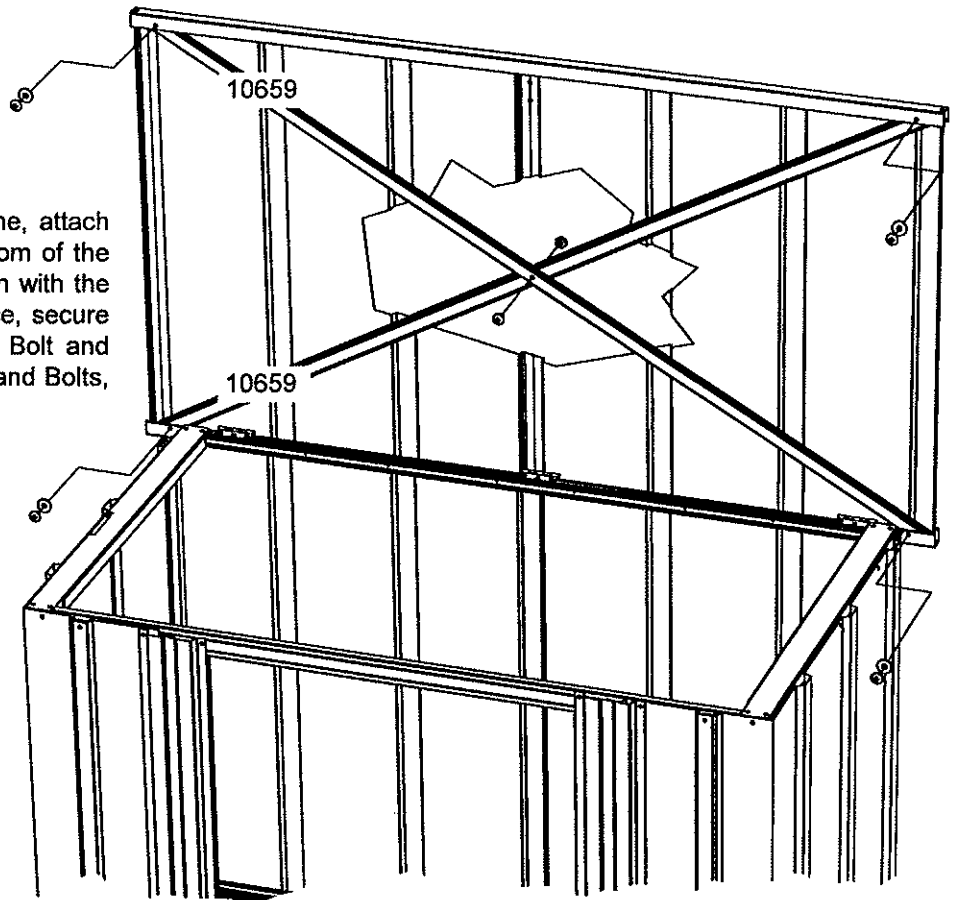
You will need for this page:



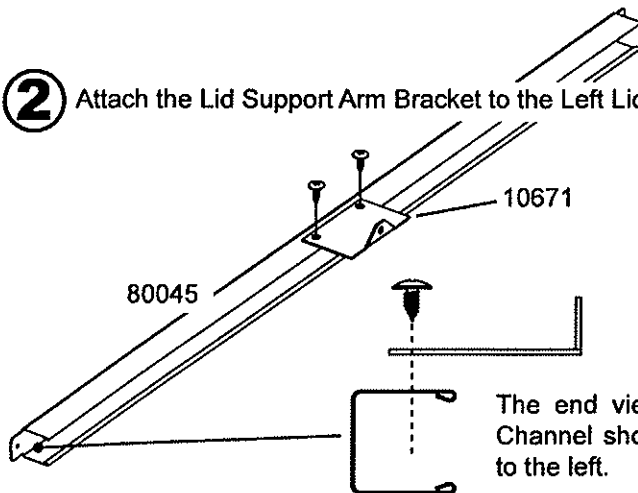
- 10659 Lid Diagonal Brace (2)
- 10671 Lid Support Arm Bracket (1)
- 80045 Left Lid Channel (1)

**1** Working with one Brace at a time, attach each Diagonal Brace to the bottom of the Lid at the ends and then rotate to align with the top of the Lid. With both Braces in place, secure the Braces in the middle with a Long Bolt and Nut as shown. Fully tighten all Screws and Bolts, including Screws from previous step.

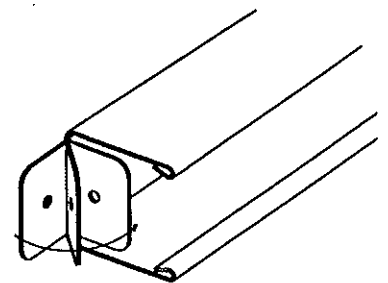
**NOTE** When inserting the Long Bolt in the Diagonal Braces, first locate the Nut against the back side of the hole with your finger and thread the Bolt into the Nut. This will make the process easier.



**2** Attach the Lid Support Arm Bracket to the Left Lid Channel with Screws as shown.

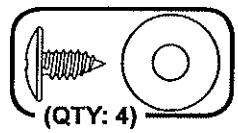


The end view of the assembled Channel should match the image to the left.



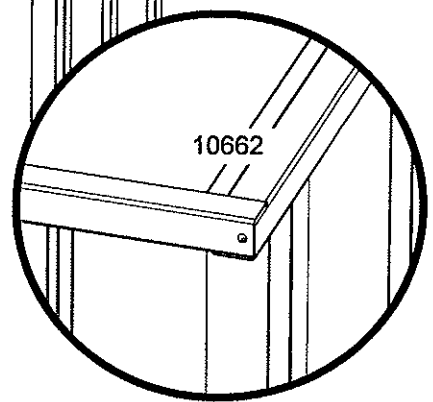
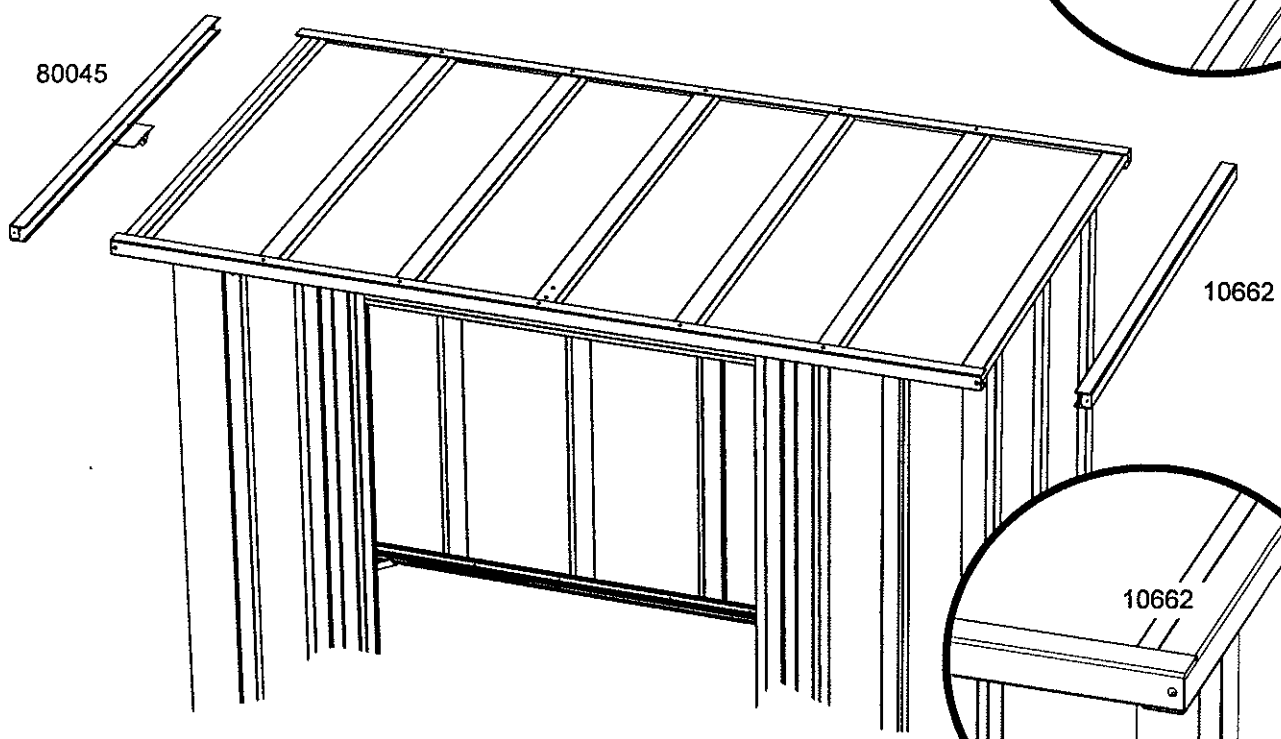
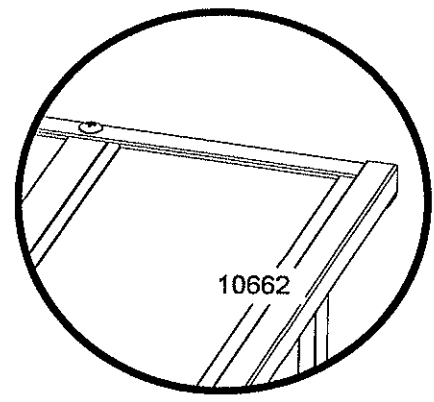
**3** Bend the tabs on both ends of the Left and Right Lid Channels as shown.

**You will need for this page:**

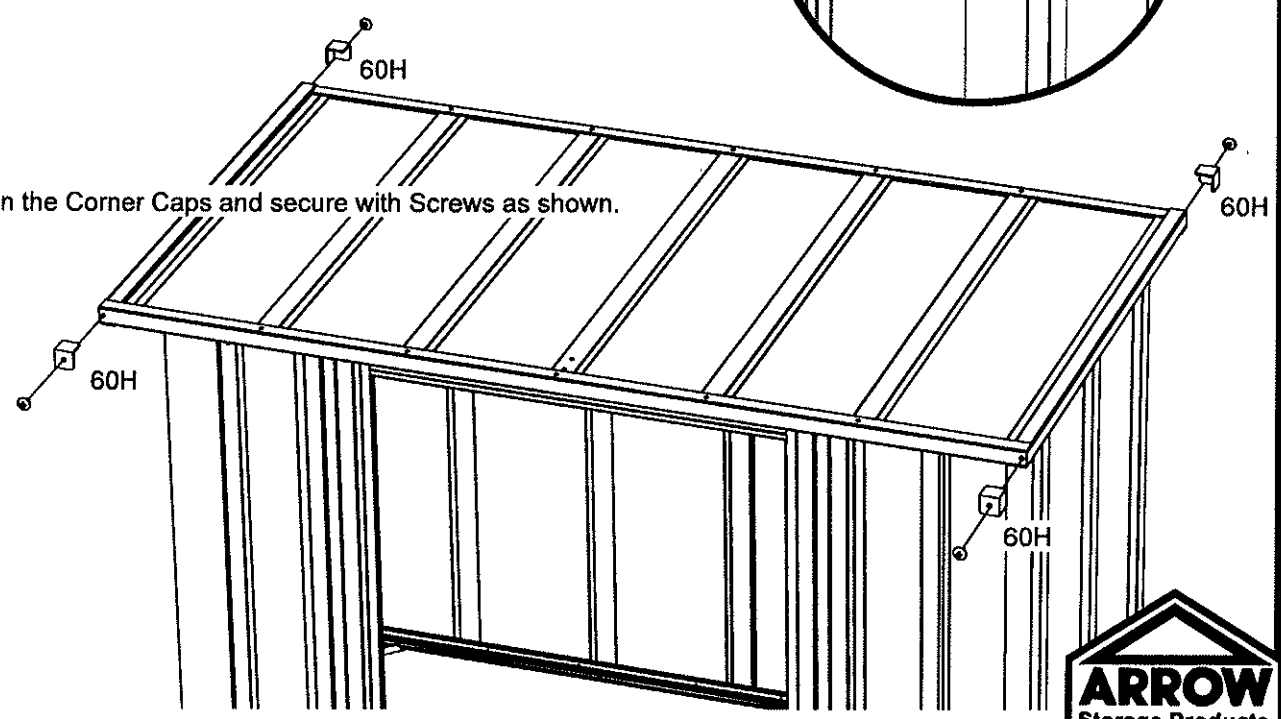


- 10662 Right Lid Channel (1)
- 80045 Left Lid Channel (1)
- 60H Corner Cap (4)

**4** Slide Left and Right Lid Channels into place as shown below. DO NOT secure Lid Channels until Corner Caps are in place (see below).

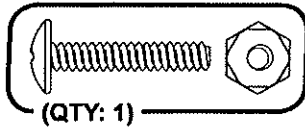
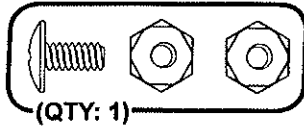


**5** Position the Corner Caps and secure with Screws as shown.



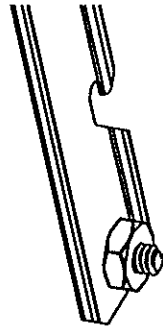
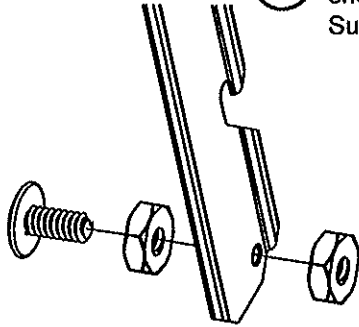
# Step 4

You will need for this page:

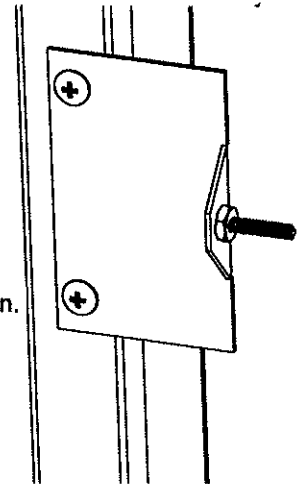
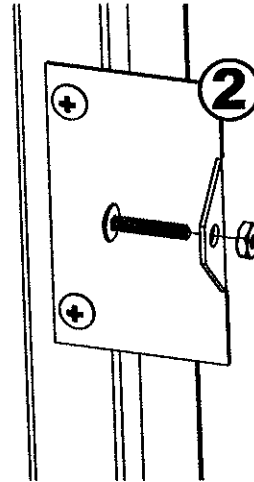


• 9767 Lid Support Arm (1)

- 1** Place a Bolt thru the bottom of the Lid Support Arm as shown. There should be a Nut on BOTH sides of the Support Arm as indicated.

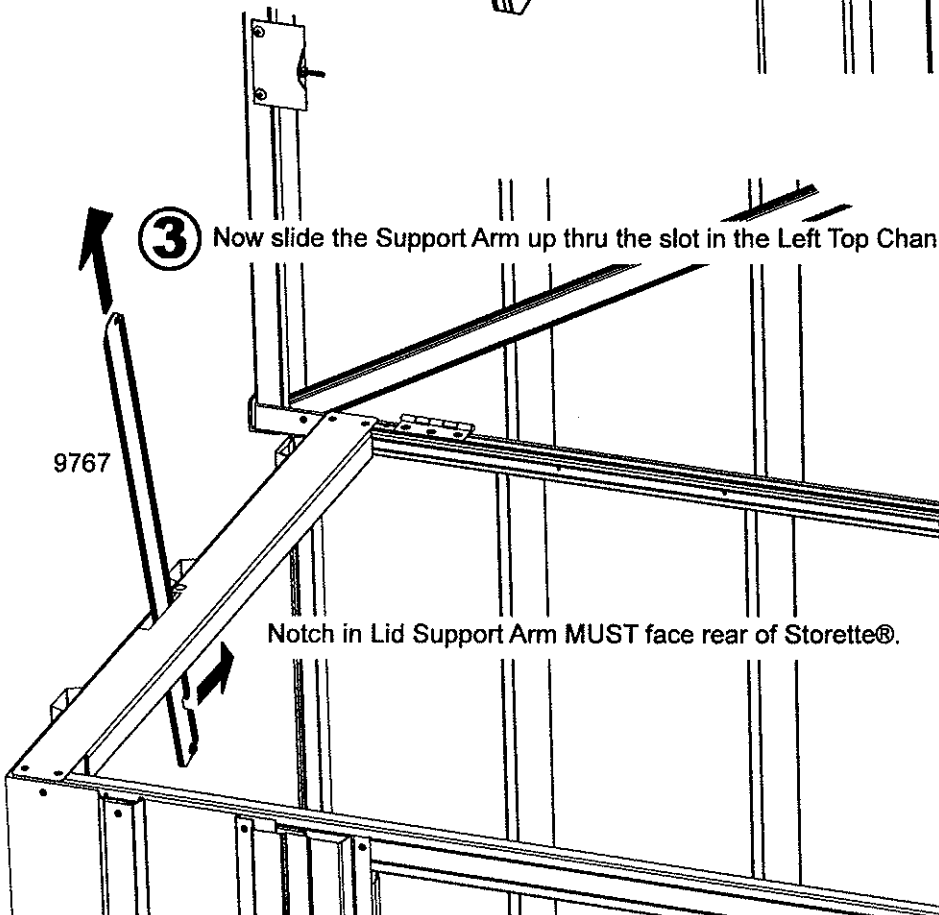


- 2** Next, place a Long Bolt thru the Lid Support Arm Bracket and secure with a Nut as shown.



- 3** Now slide the Support Arm up thru the slot in the Left Top Channel as shown.

9767

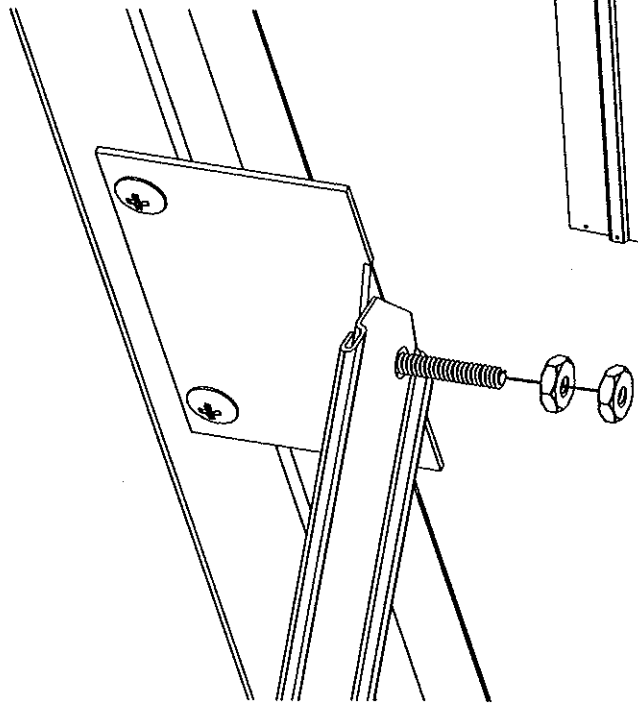
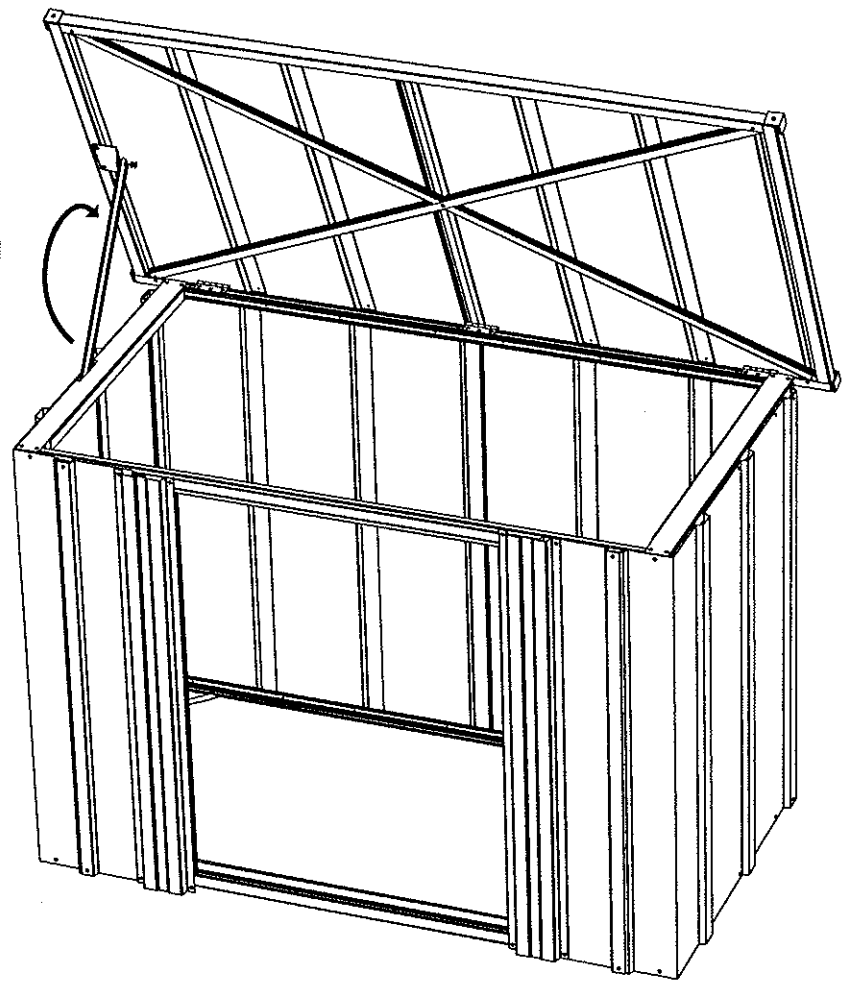


Notch in Lid Support Arm MUST face rear of Storette®.

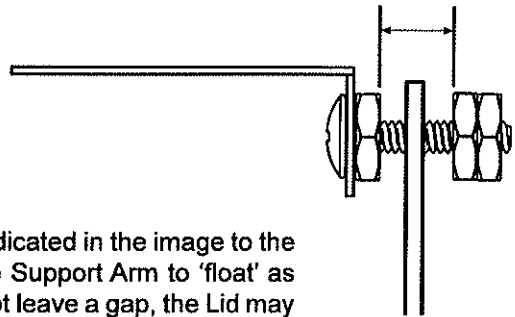
You will need for this page:



4 Rotate the Support Arm into place and slide it onto the Long Bolt as shown.



5 Next, put two Nuts on the end of the Bolt one at a time. Tighten the second Nut against the first. The second Nut will act as a 'Jam Nut', keeping the first Nut in place.

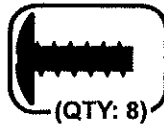
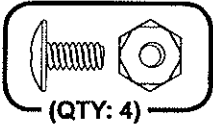


**NOTE** Be sure to leave a gap as indicated in the image to the right. This gap will allow the Support Arm to 'float' as the Lid is closed. If you do not leave a gap, the Lid may close improperly.



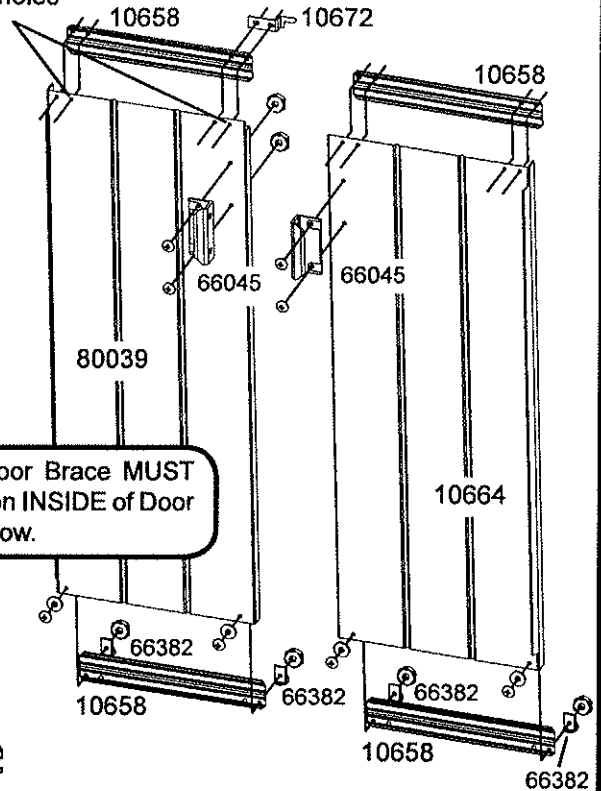
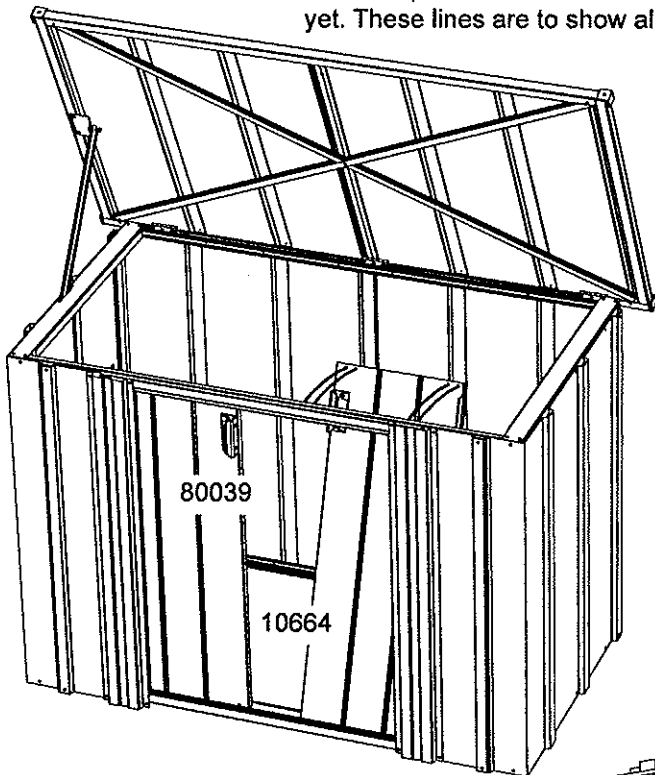
# Step 5

You will need for this page:

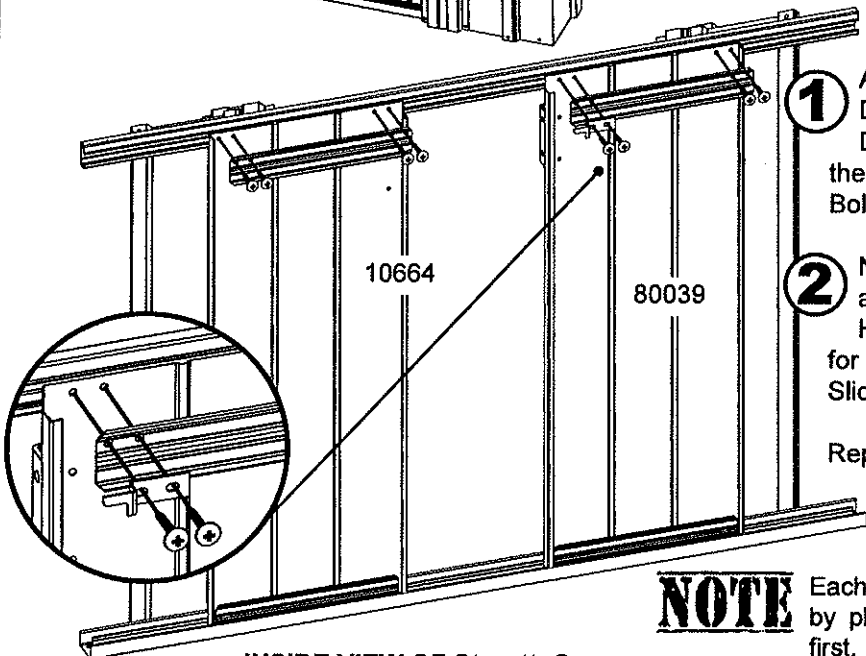


- 10664 Right Door (1)
- 80039 Left Door (1)
- 10658 Horizontal Door Brace (4)
- 10672 Door Latch Finger (1)
- 66045 Door Handle (2)
- 66382 Door Guide (4)

Do NOT place hardware thru the top row of holes yet. These lines are to show alignment only.



Horizontal Door Brace MUST be attached on INSIDE of Door as shown below.

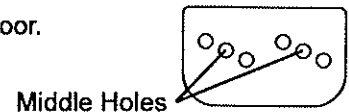


INSIDE VIEW OF Storette®

**1** Attach the Door Handles to the Left and Right Doors with Bolts and Nuts as shown. Attach the Door Guides and the Horizontal Door Braces to the BOTTOM side of the Left and Right Doors using Bolts and Nuts as shown.

**2** Next, place one Door in the Front Bottom Frame and rotate it into place as shown. Position the Horizontal Door Brace (and Door Latch Finger for the Left Door) as shown and secure to Door Slides with Black Screws.

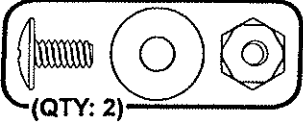
Repeat for other Door.



## NOTE

Each Door Slide has three sets of holes. Install Doors by placing the Black Screws thru the middle holes first. If Doors do not align, raise or lower the Doors by moving the Screws to a different set of holes.

You will need for this page:



• 10670 Lid Latch Bracket (1)

③ Position the Lid Latch Bracket and secure with Bolts and Nuts as shown.

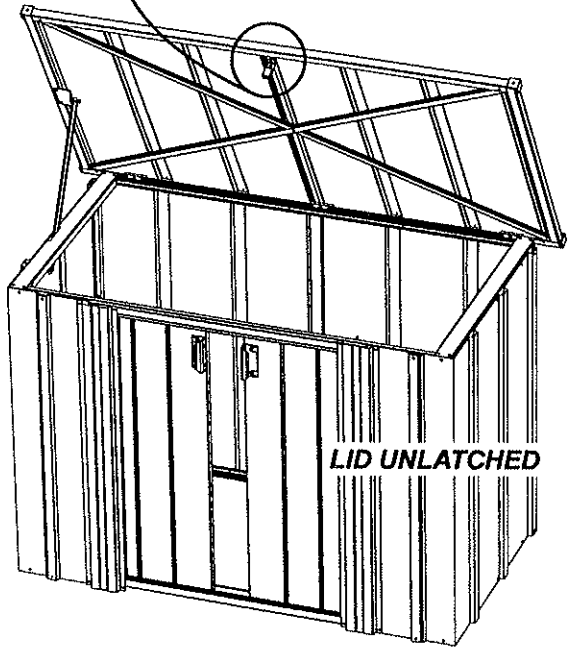
10670

DOOR OPEN

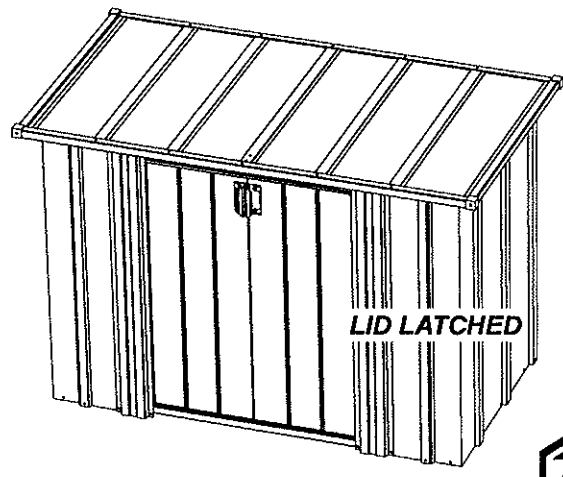
DOOR CLOSED

**NOTE** The Latch and Latch Finger should interlock as shown when the Left Door is closed. If they do not align, loosen the Bolts securing them and slide to align.

With the Lid Latch in place, CLOSING the Doors will LATCH the Lid and OPENING the Doors will UNLATCH the Lid.



LID UNLATCHED



LID LATCHED



## Exterior Care:

For a long lasting finish clean and wax the exterior surface. We recommend washing with a mild soap solution. DO NOT use power washing to clean your Storette®. Using a spray automotive type wax periodically on the exterior is highly recommended if you are in a high humidity or coastal climate region.

Combustibles and corrosives must be stored in air tight containers designed for chemical and/or combustible storage. Corrosive chemicals such as fertilizers, pesticides and herbicides should be cleaned off the interior and exterior surfaces immediately. Rust caused by chemical damage is not covered by the warranty.

## DO NOT STORE POOL CHEMICALS IN YOUR Storette® - THIS VOIDS YOUR WARRANTY

Rust protection precautions may help to stop rust from developing, or stop it quickly as soon as it appears.

- Avoid nicking or scraping the coating surface, inside and out.
- Use washers everywhere indicated in this manual to help prevent corrosion.
- Keep lid, base perimeter and door tracks free of debris and leaves which may accumulate and retain moisture. These can do double damage since they give off acid as they decay. Lubricate door track as needed.
- Touch up scrapes or nicks and any area of visible rust as soon as possible. Make sure the surface is free of moisture, oils, dirt or grime and then apply an even film of high quality touch-up paint.
- Various paint manufacturers provide products for rust treatment and coverage. If surface rust does appear on your Storette® we recommend treating those areas as soon as possible, following the paint supplier of your choice instructions.

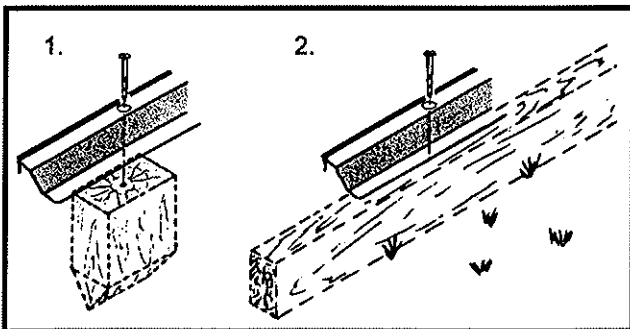
Please note, Manufacturer cannot be held responsible for any consequences due to buildings that are not installed per these instructions, or for damage due to weather conditions or acts of God.

## Anchoring Your Storette®

The entire floor frame **MUST** be securely anchored once the building is erected. Here are recommended ways of anchoring.

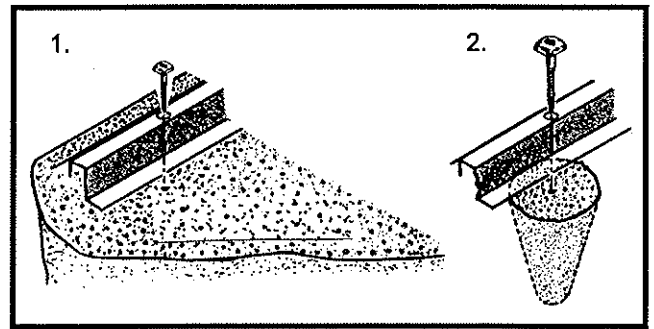
### Anchoring into Wood/Post:

Use 1/4" (6 mm) Wood Screws. There are 1/4" (6 mm) dia. holes provided in the frames for proper anchoring.



### Anchoring into Concrete:

1. For poured concrete slab or footing or patio blocks: Use 1/4" x 2" (6 mm x 51 mm) Lag Screws.
2. For Anchor Post of Concrete poured after building is erected: Use 1/4" x 6" (6 mm x 152 mm) Lag Screws.



Keep these assembly instructions and owner's manual for future reference.