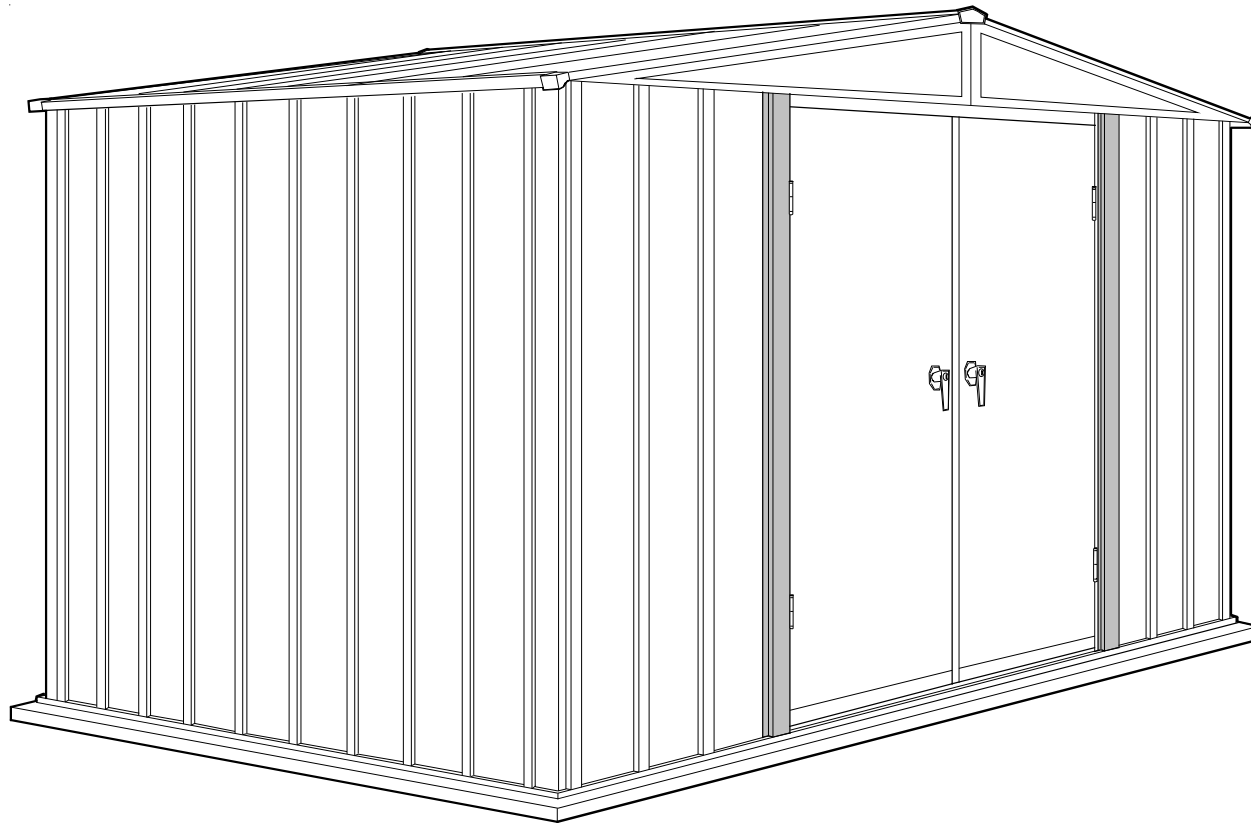


Assembly Manual



HS 108

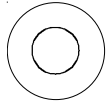


710770806

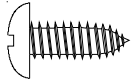
Building Dimensions:											
Approximate Size	Foundation Size	Storage Area		Exterior Dimensions: (Roof Edge to Roof Edge)			Interior Dimensions: (Wall to Wall)			Door Opening	
		Sq. Ft.	Cu. Ft.	Width	Depth	Height	Width	Depth	Height	Width	Height
10' x 8'	122 1/4" x 94"	74	413	123 1/4"	95 1/4"	72 7/8"	118 1/4"	90"	71 5/8"	53"	58 1/2"

Hardware

Hardware included in hardware bags.



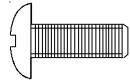
Washer
(Sheets)



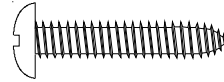
#10 x 1/2"
Tap Screw



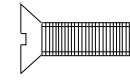
#10-32
Machine Nut



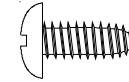
#10-32 x 7/16"
Machine Screw



#10 x 1"
Tap Screw



#10-32
Flat Head
Machine Screw

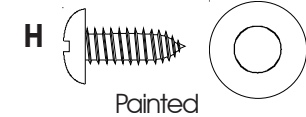
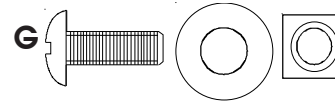
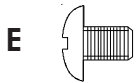
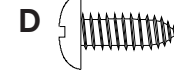
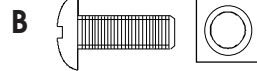


#10 x 1/2"
Tap Screw
Painted

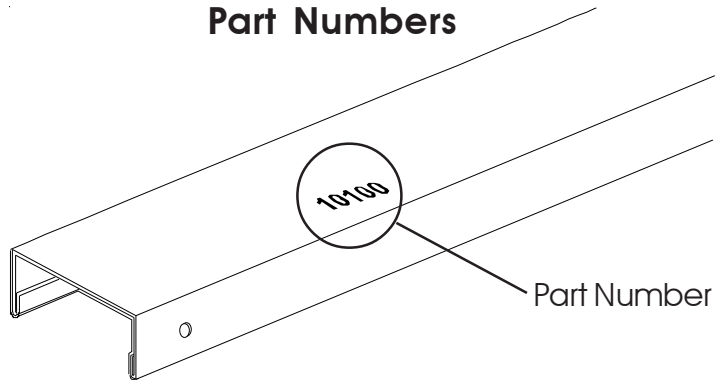


#8-32 x 1/4"
Machine Screw

Combinations of the hardware found in this manual.



Part Numbers



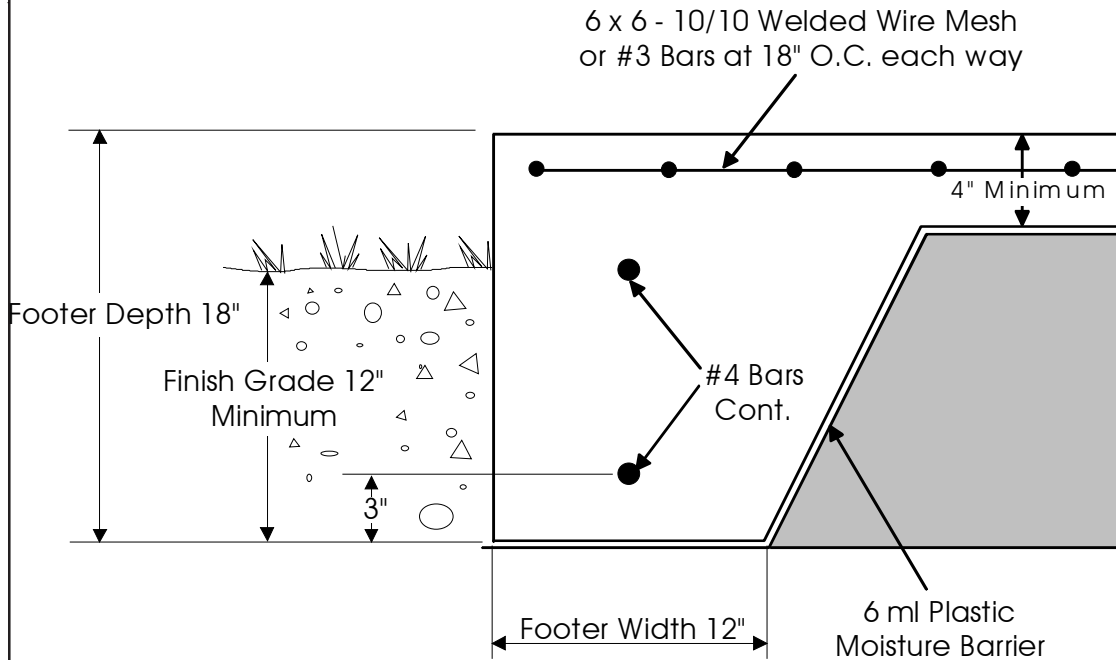
1. Parts are packed in order of assembly.
2. Each part has an identifying part number on it.
3. Part Numbers are referenced in each step.
4. Metal parts have a stamped in number & painted parts have a screened number.



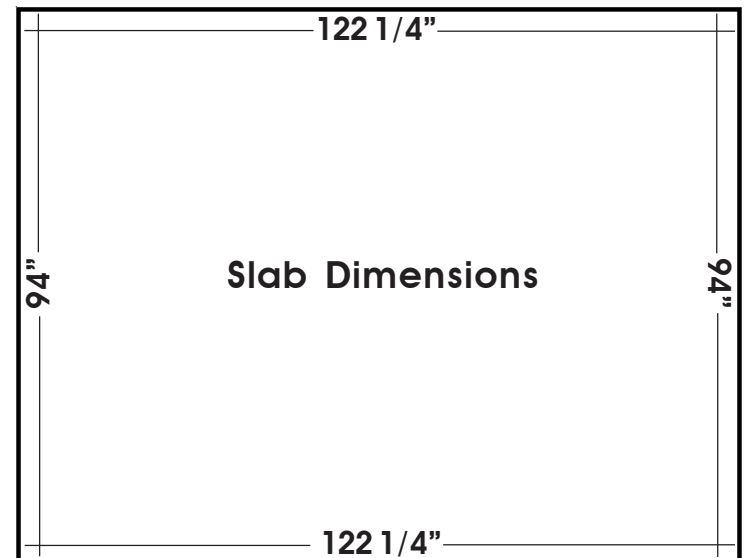
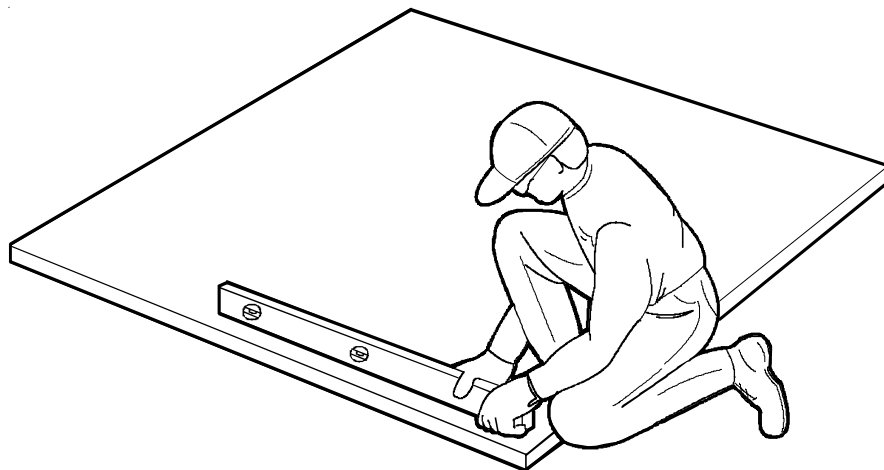
Foundation

Local building codes vary by region, refer to your local codes for specifications.

Concrete Slab Requirements



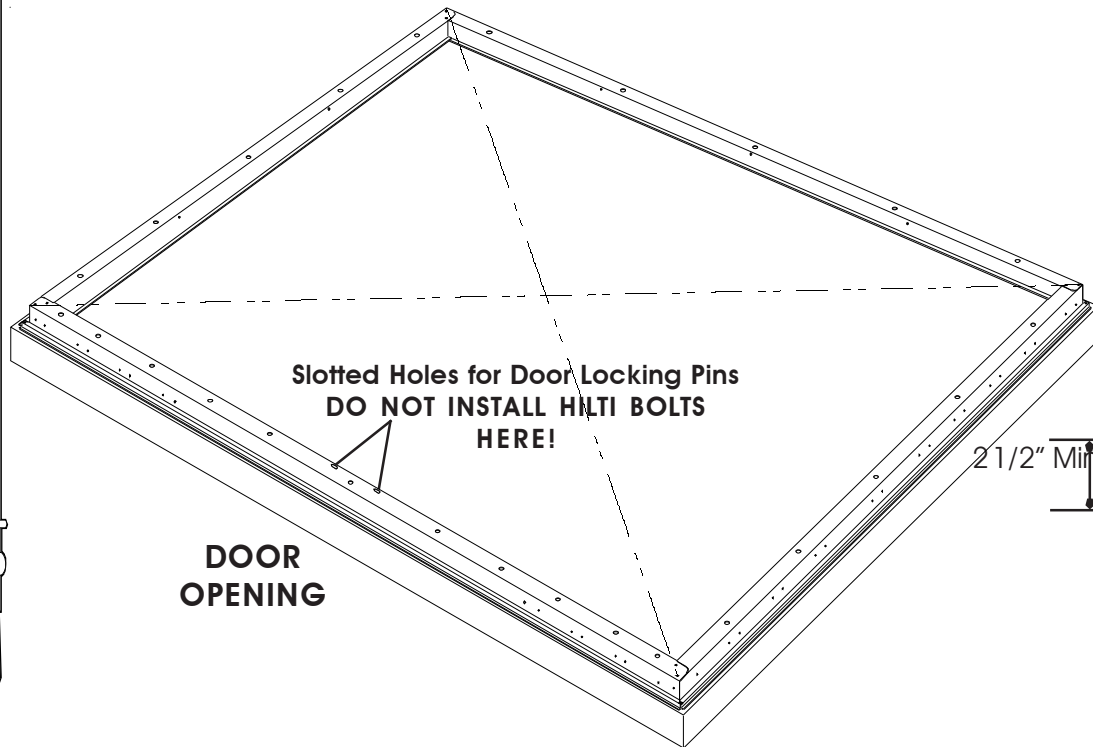
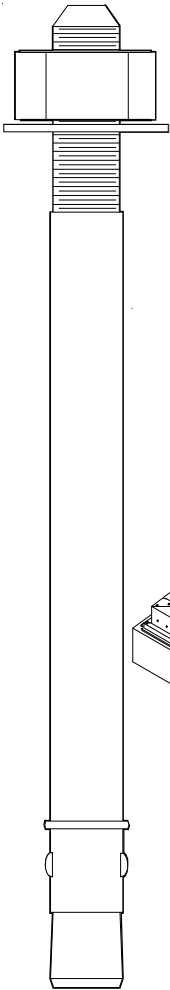
1. Select level site for building.
2. Remove soil for footers and slab.
3. Place 6 ml plastic over dirt.
4. Construct 2 x 4 form level and square.
5. Pour Concrete.



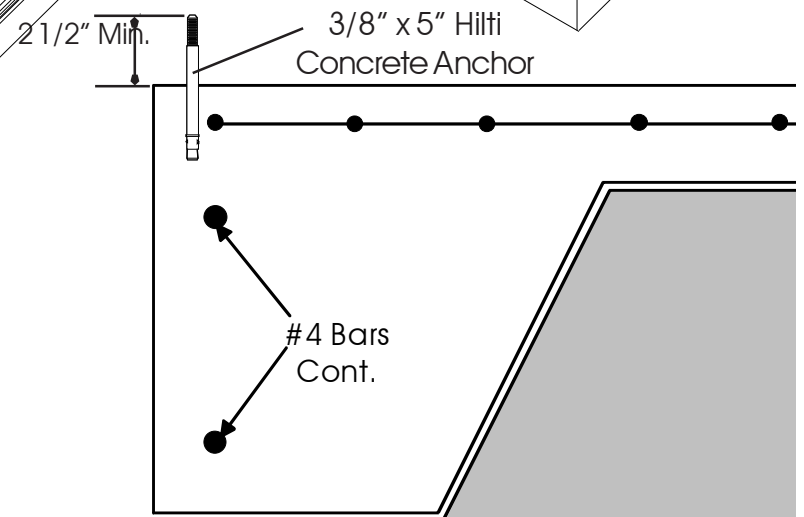
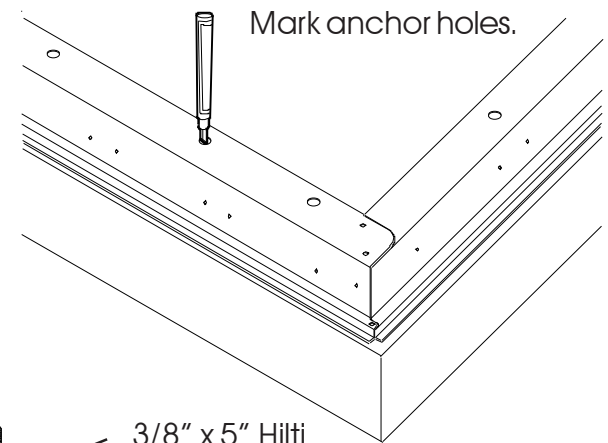
Step 1 Hilti Bolts

How to install Hilti Concrete Anchors *Must use 3/8" x 5" Hilti Kwik Bolt II* *Metro Dade County Approved*

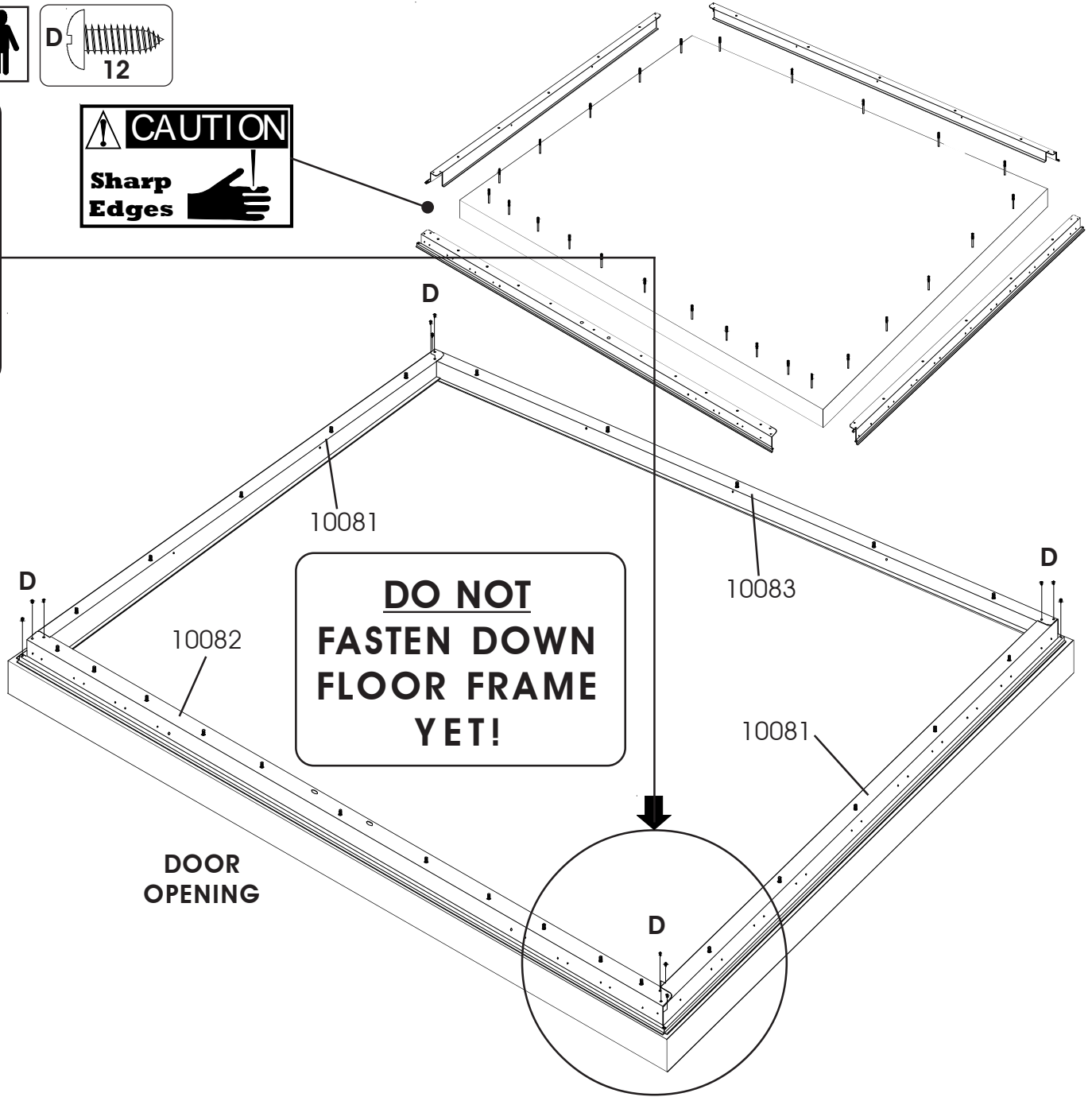
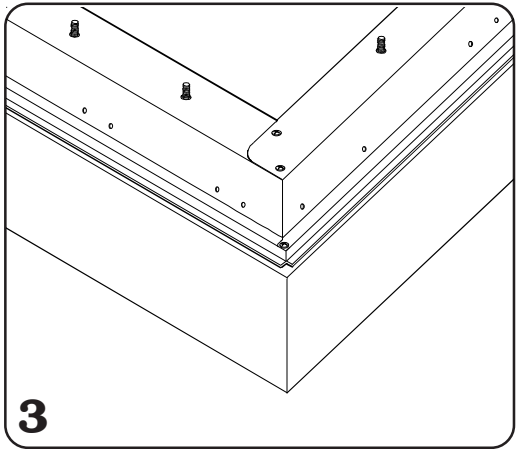
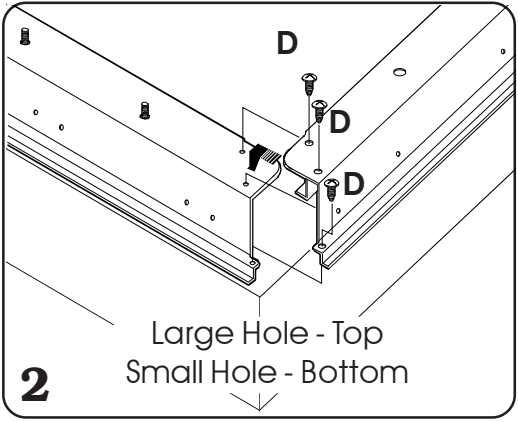
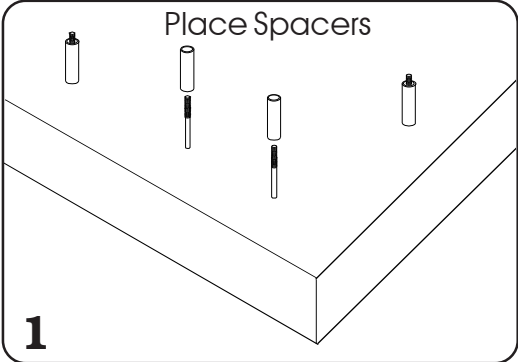
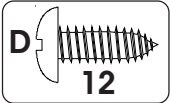
1. Lay Floor Frame together as if constructing, on top of concrete making sure it is square by measuring diagonally.
 2. Mark Anchor Holes through top of Floor Frame.
 3. Remove Frame pieces.
 4. Drill anchor holes into concrete 2 1/2" deep.
 5. Drive Hilti Anchor Bolts into concrete with hammer. (To protect threads place nut on Hilti Bolt before hammering.)
- NUT MUST BE REMOVED TO ALLOW ASSEMBLY OF BUILDING.)**



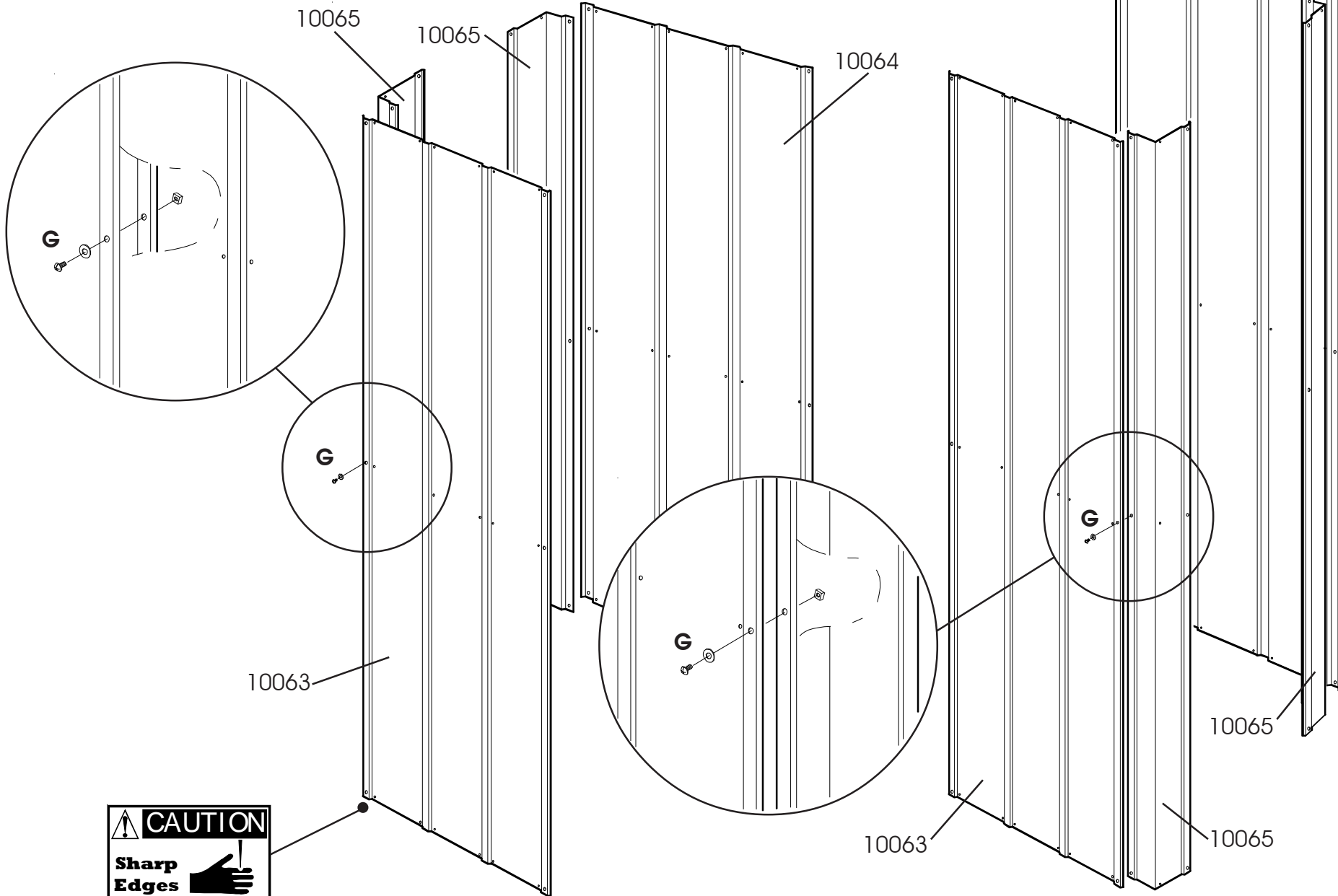
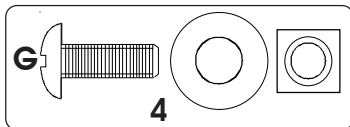
Lay Floor Frame together on concrete as if constructing.
Measure diagonally making sure frame is square.



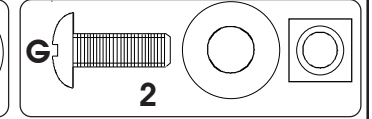
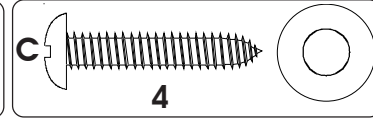
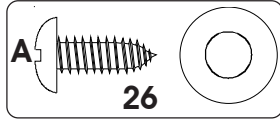
Step 2 Floor Frame



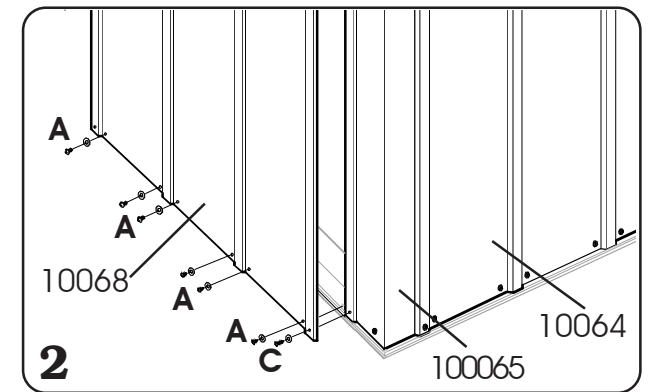
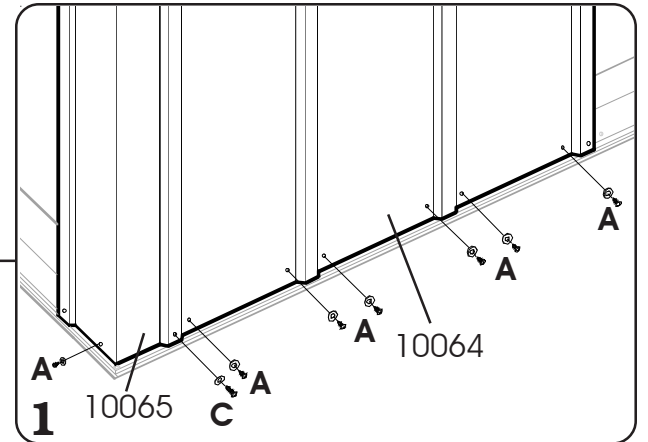
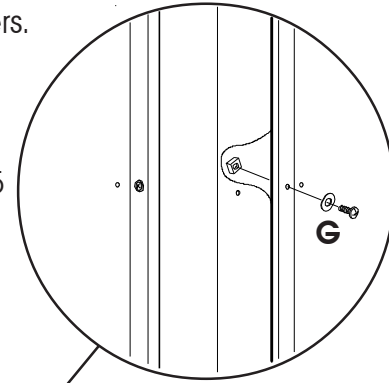
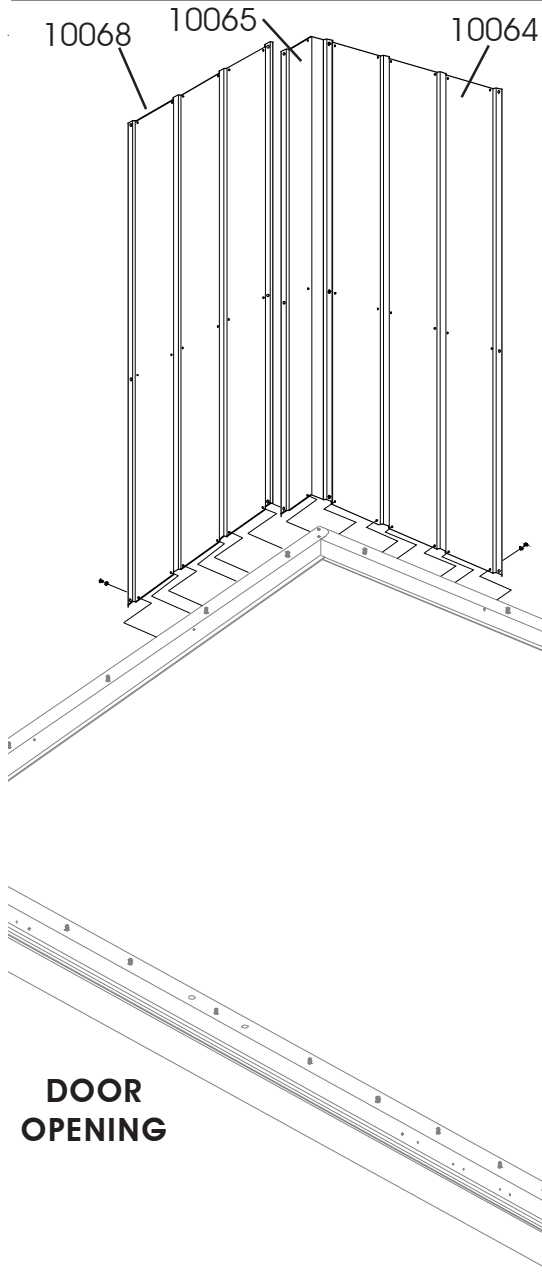
Step 3 Corner Wall Panels



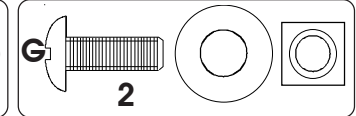
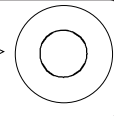
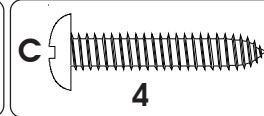
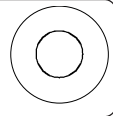
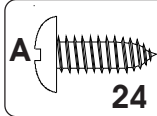
Corner Wall Panels Continued. . .



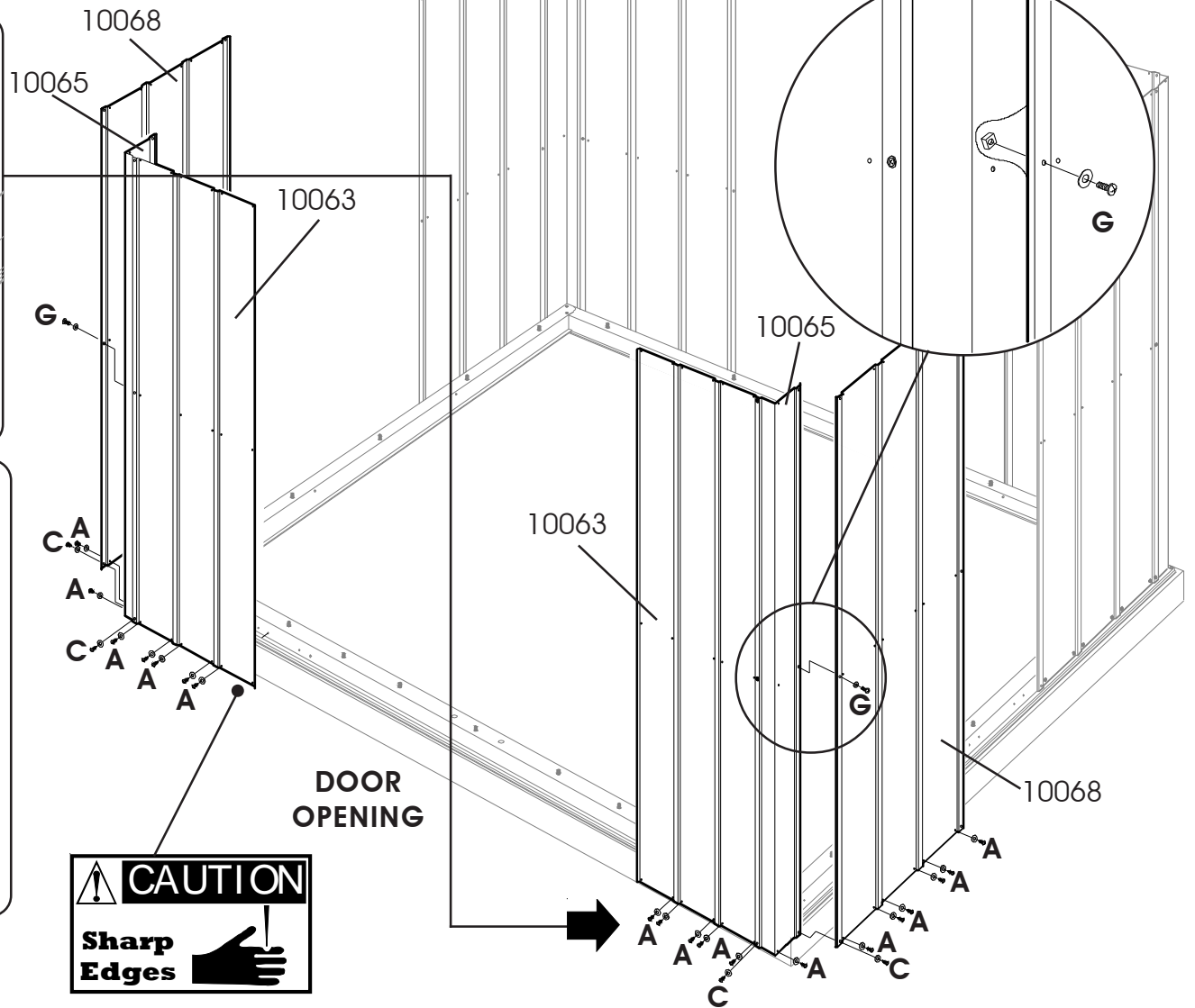
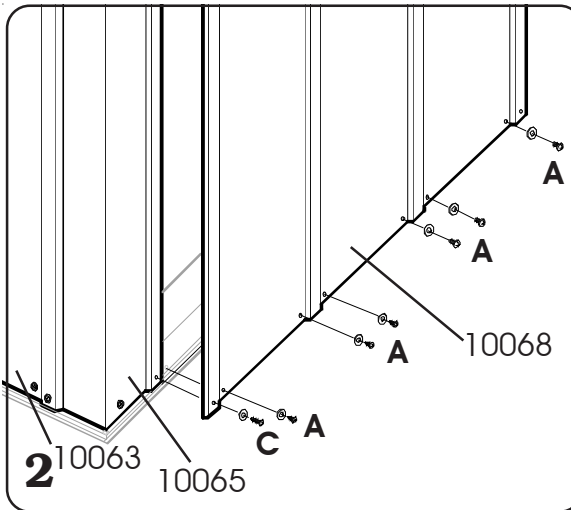
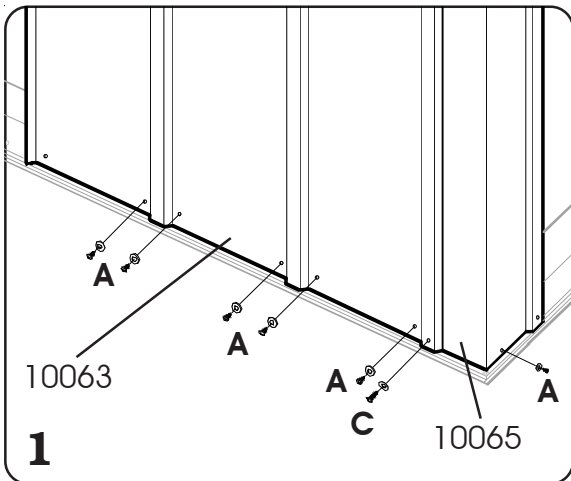
Assemble two rear corners.



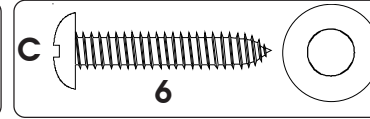
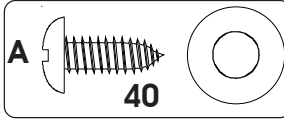
Corner Wall Panels Continued.....



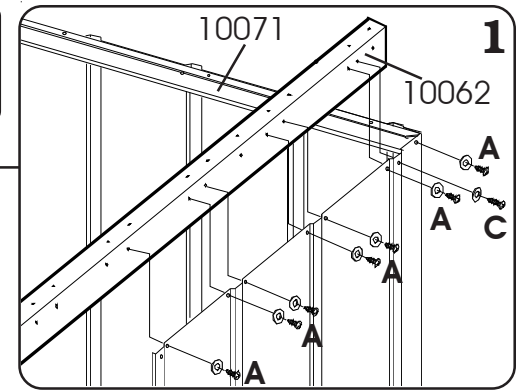
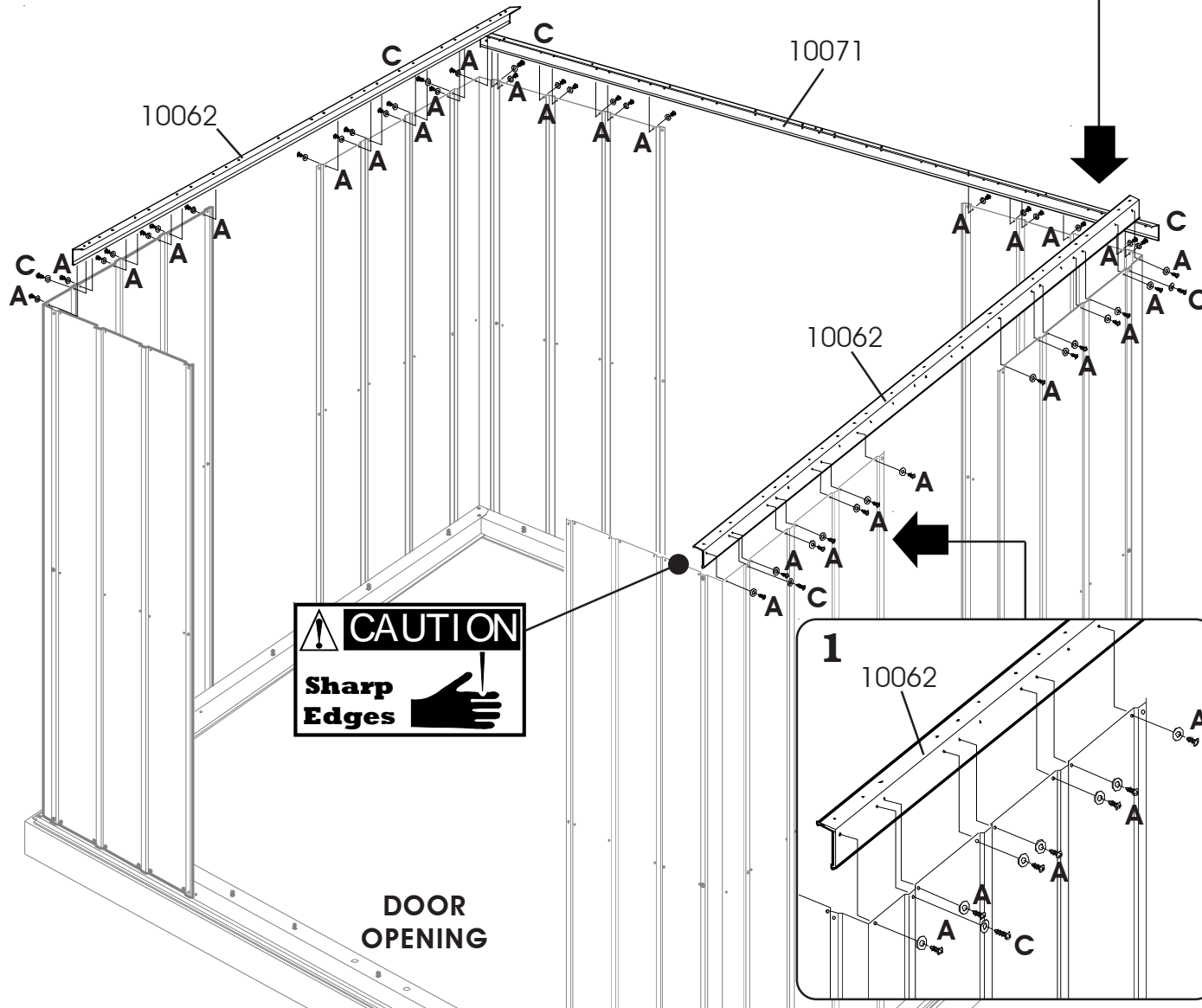
Assemble two front corners.



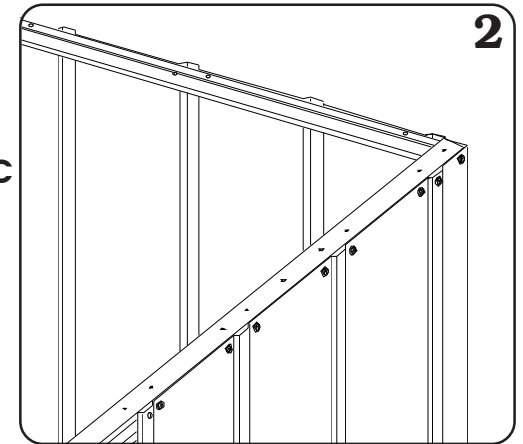
Step 4 Top Wall Angles



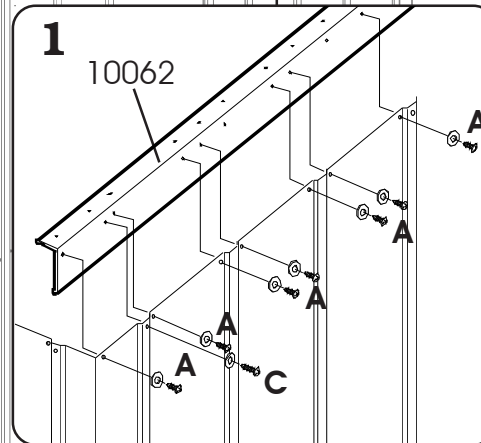
Assemble Top Wall Angles to Corner Wall Panels.



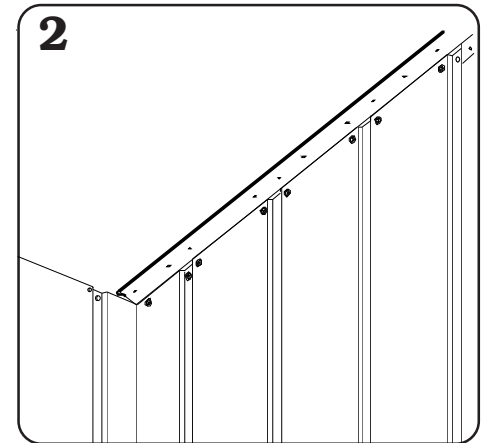
1



2



1

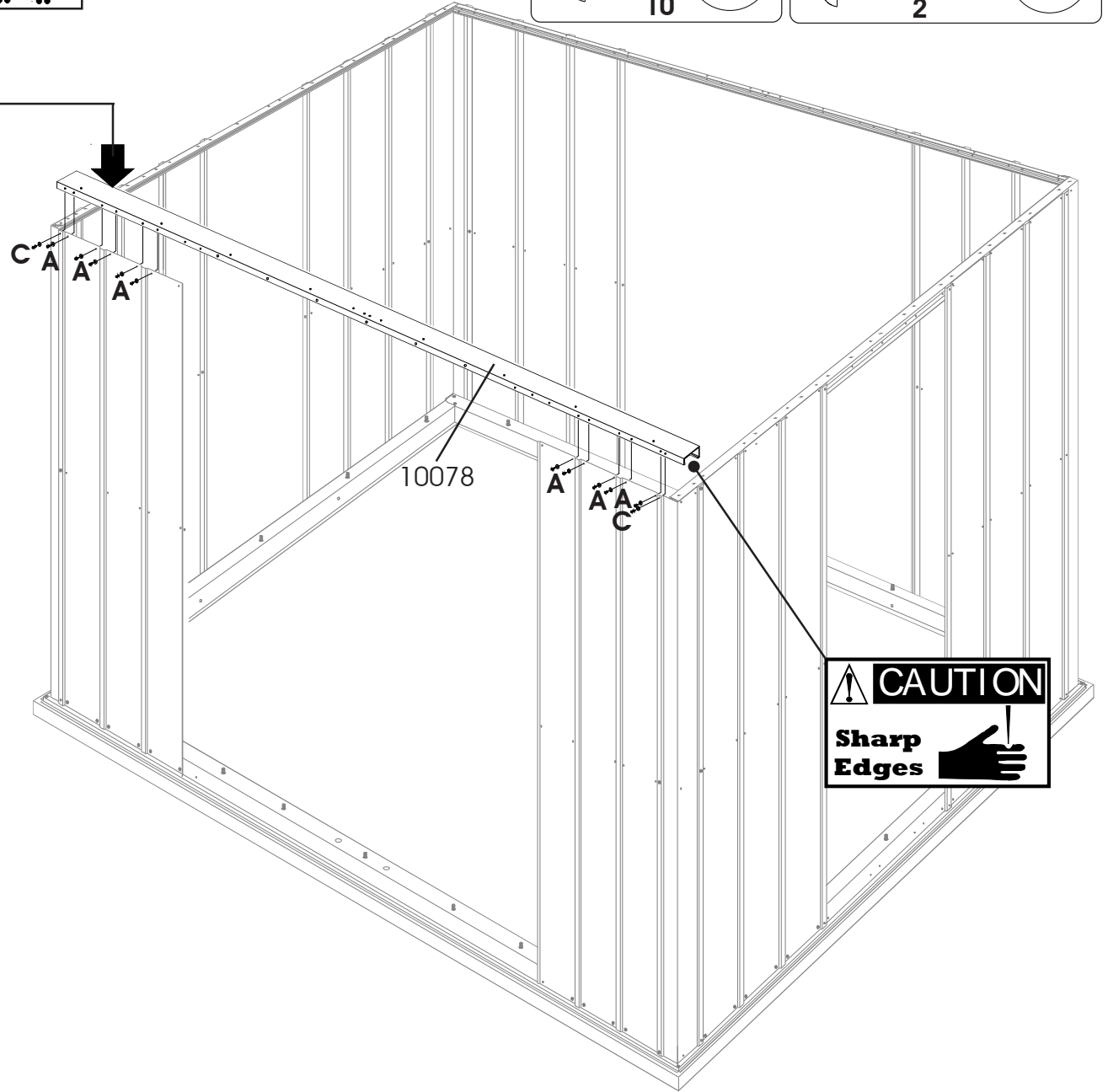
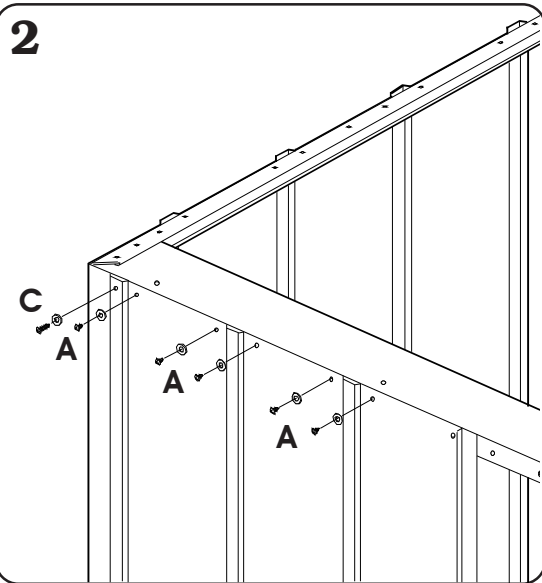
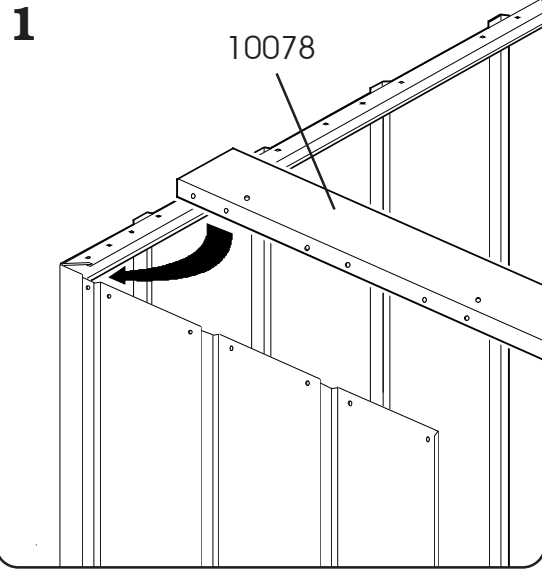
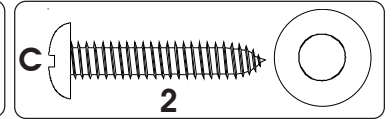
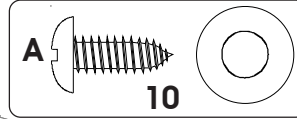


2

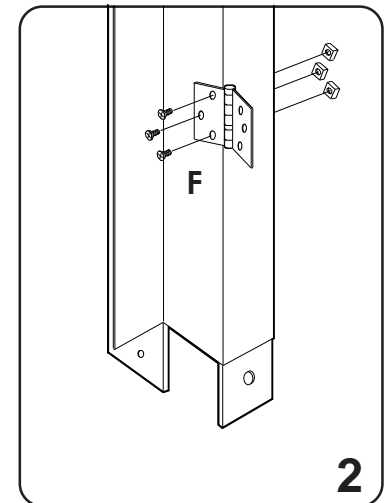
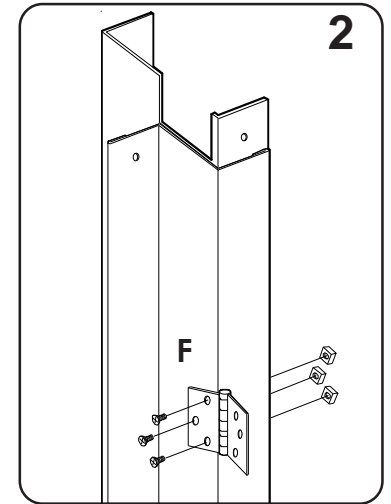
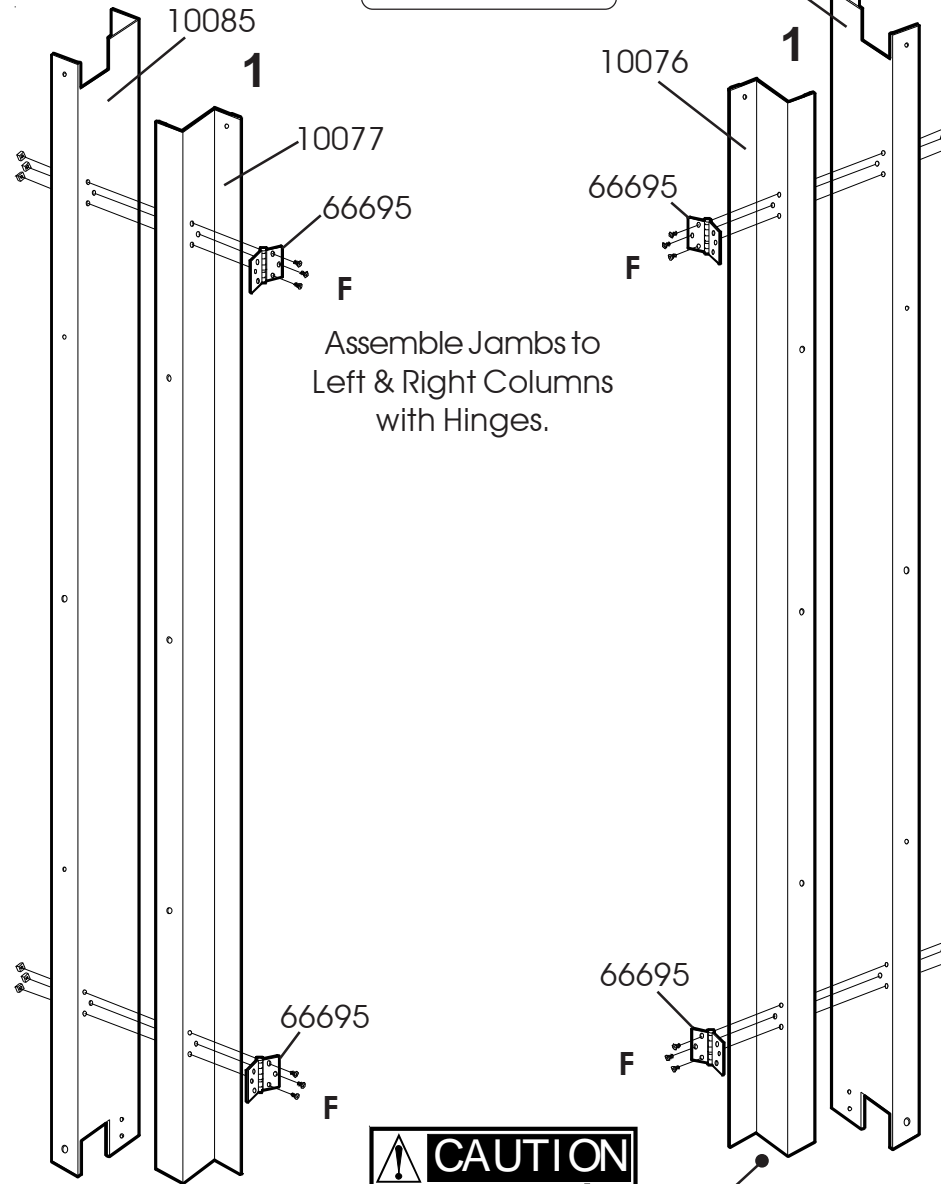
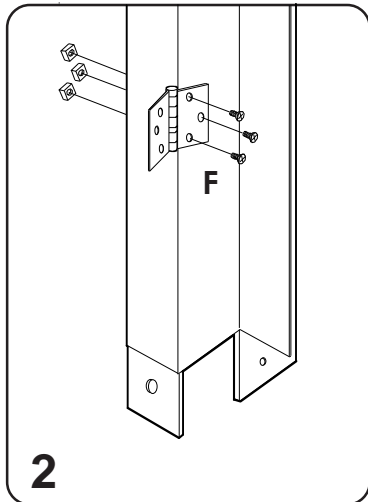
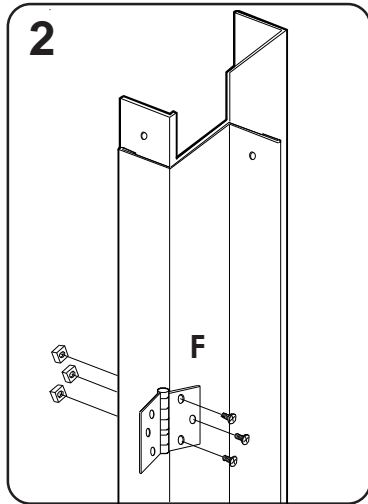
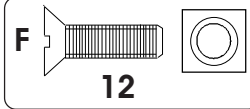
Step 5 Header Beam



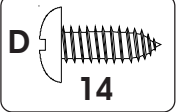
Install Header Beam.



Step 6 Door Column Assembly



Door Column Assembly Continued . .



Assemble Door Columns to Header Beam & Floor Frame.

1 Angle top of Column Assembly toward center and set bottom of Column in place.

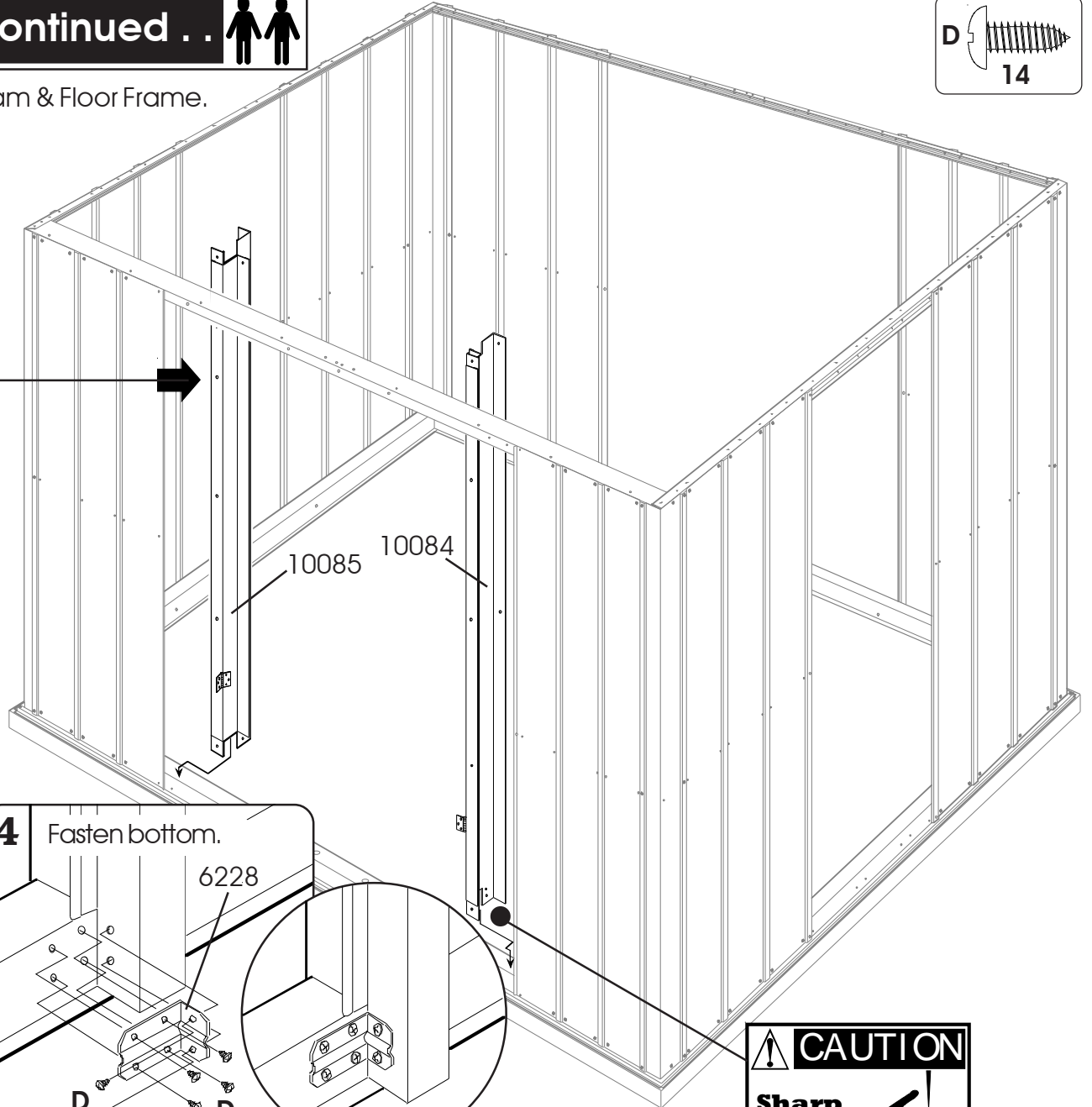
2 This side should be on outside of Header Beam.
Push top over into notch.

3 Fasten top.

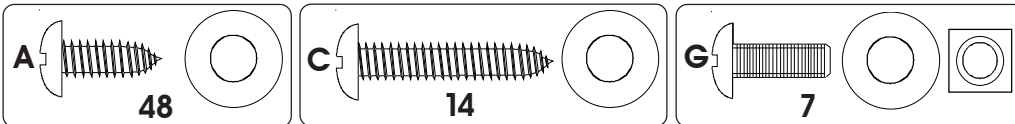
4 Fasten bottom.

10085 10084

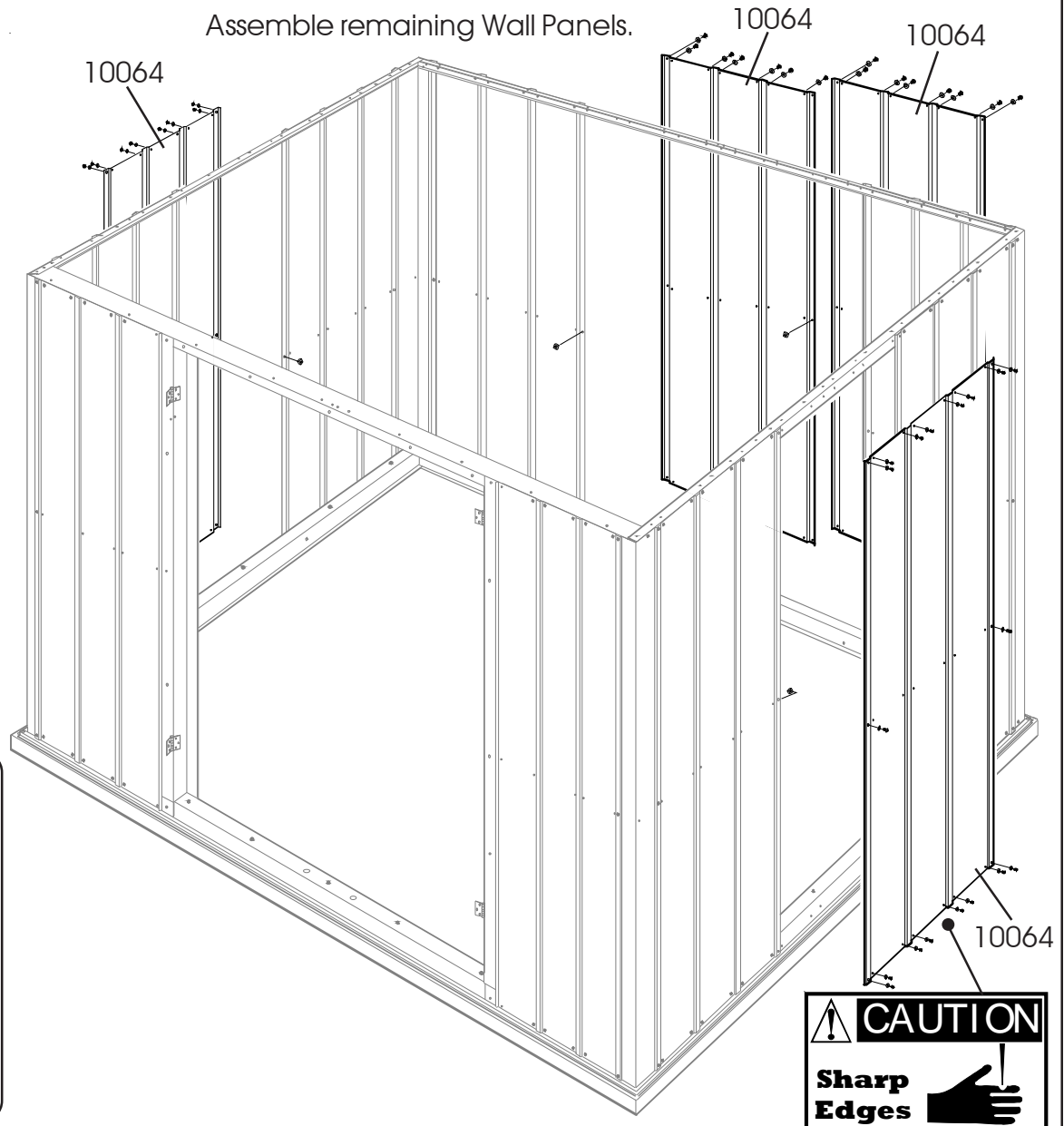
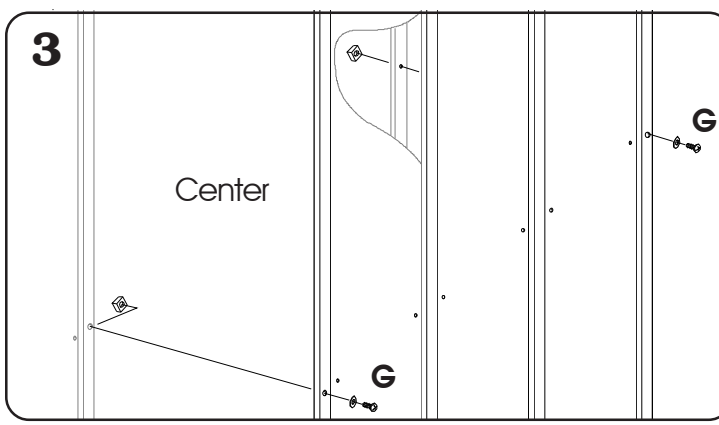
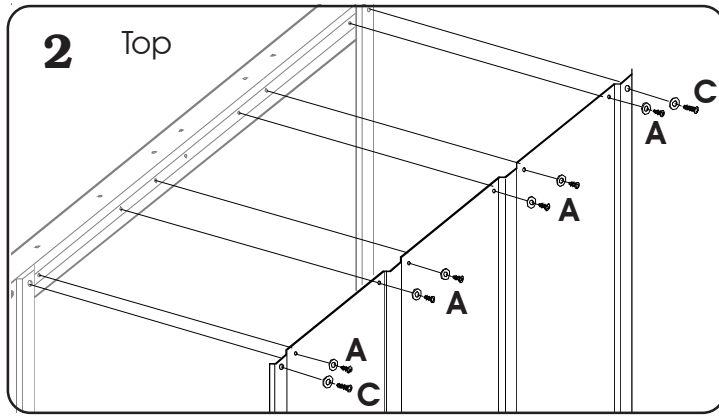
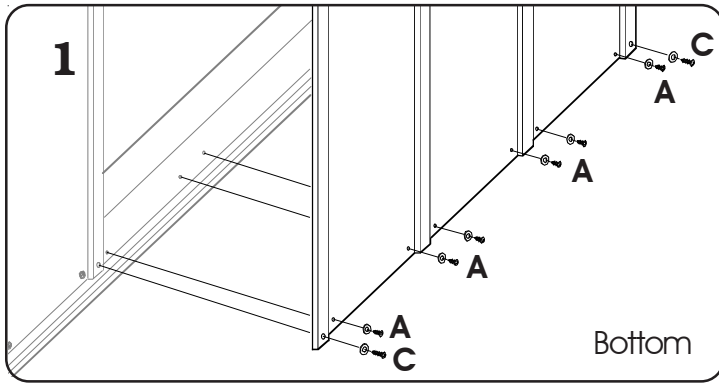
6228



Step 7 Wall Panels



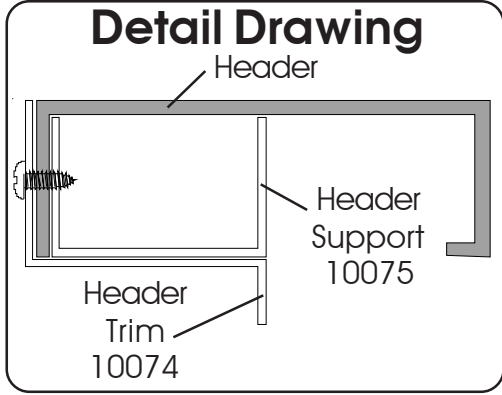
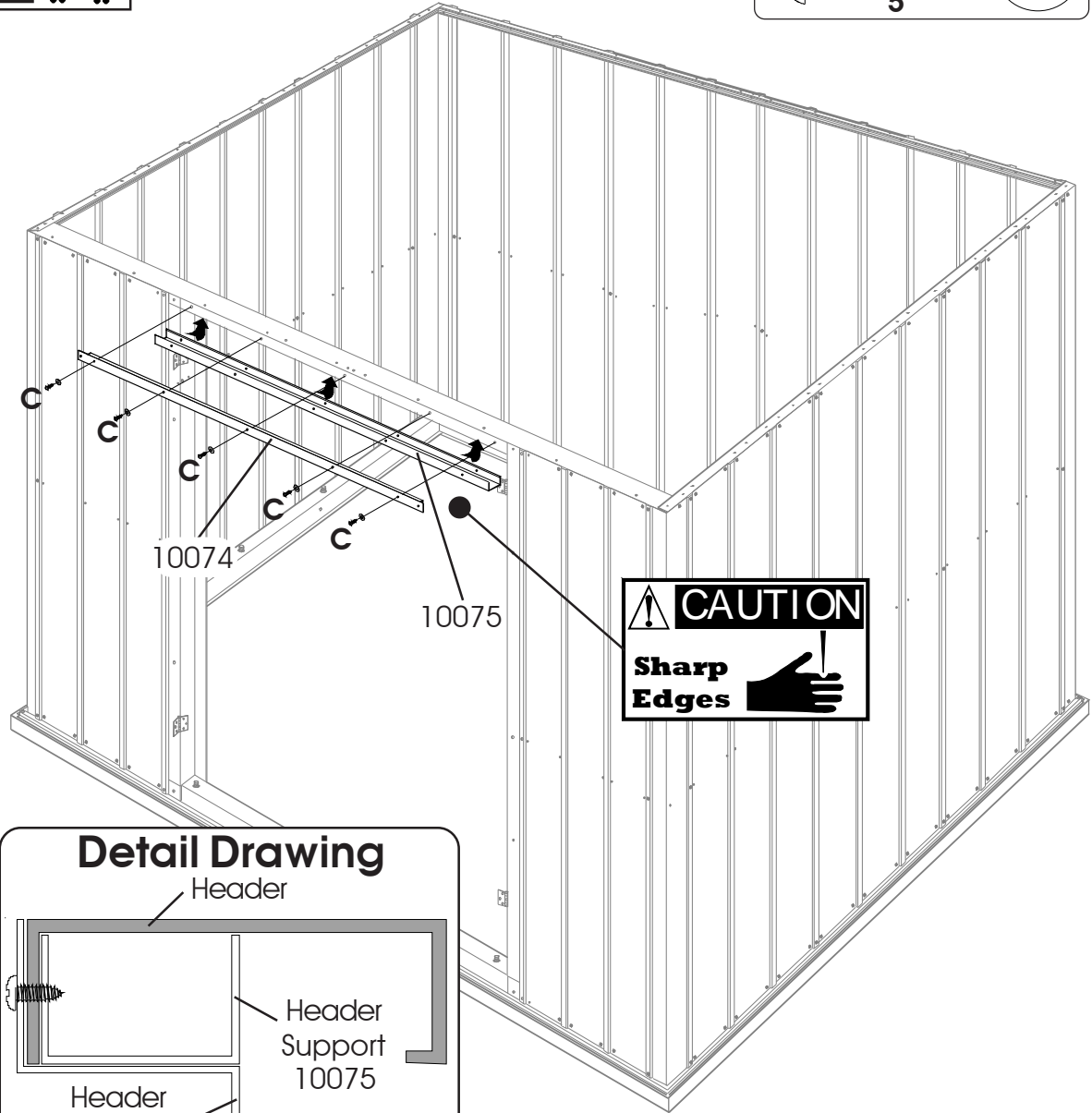
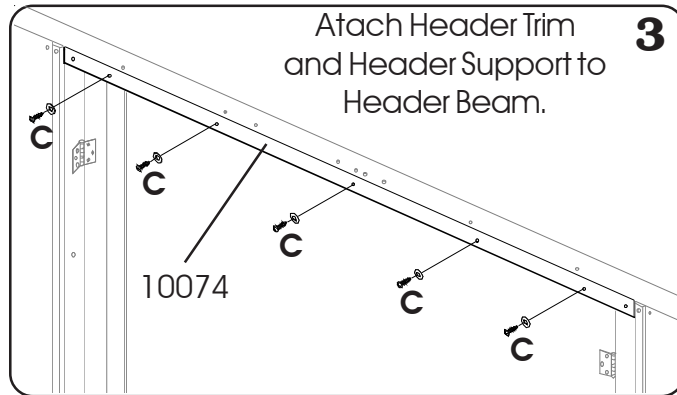
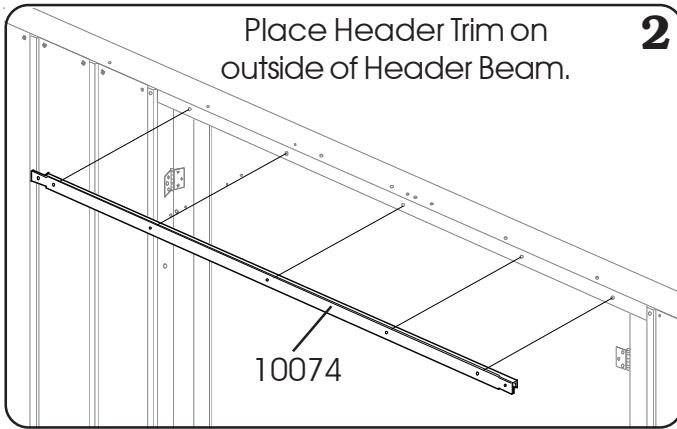
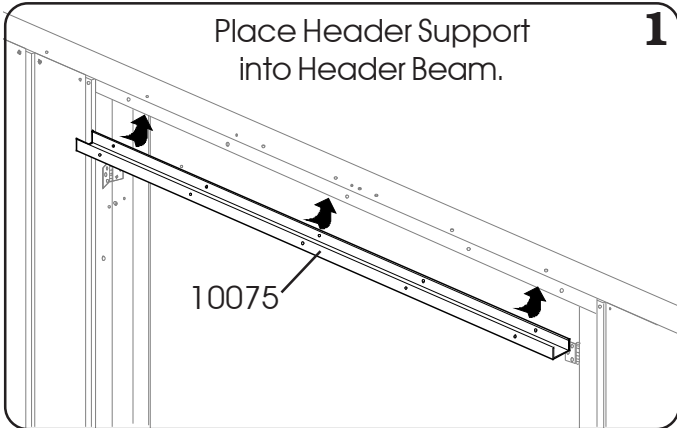
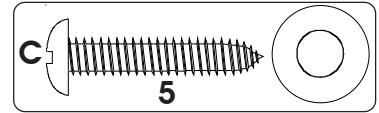
Assemble remaining Wall Panels.



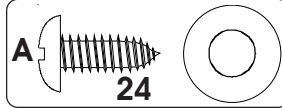
Step 8 Header Support & Trim



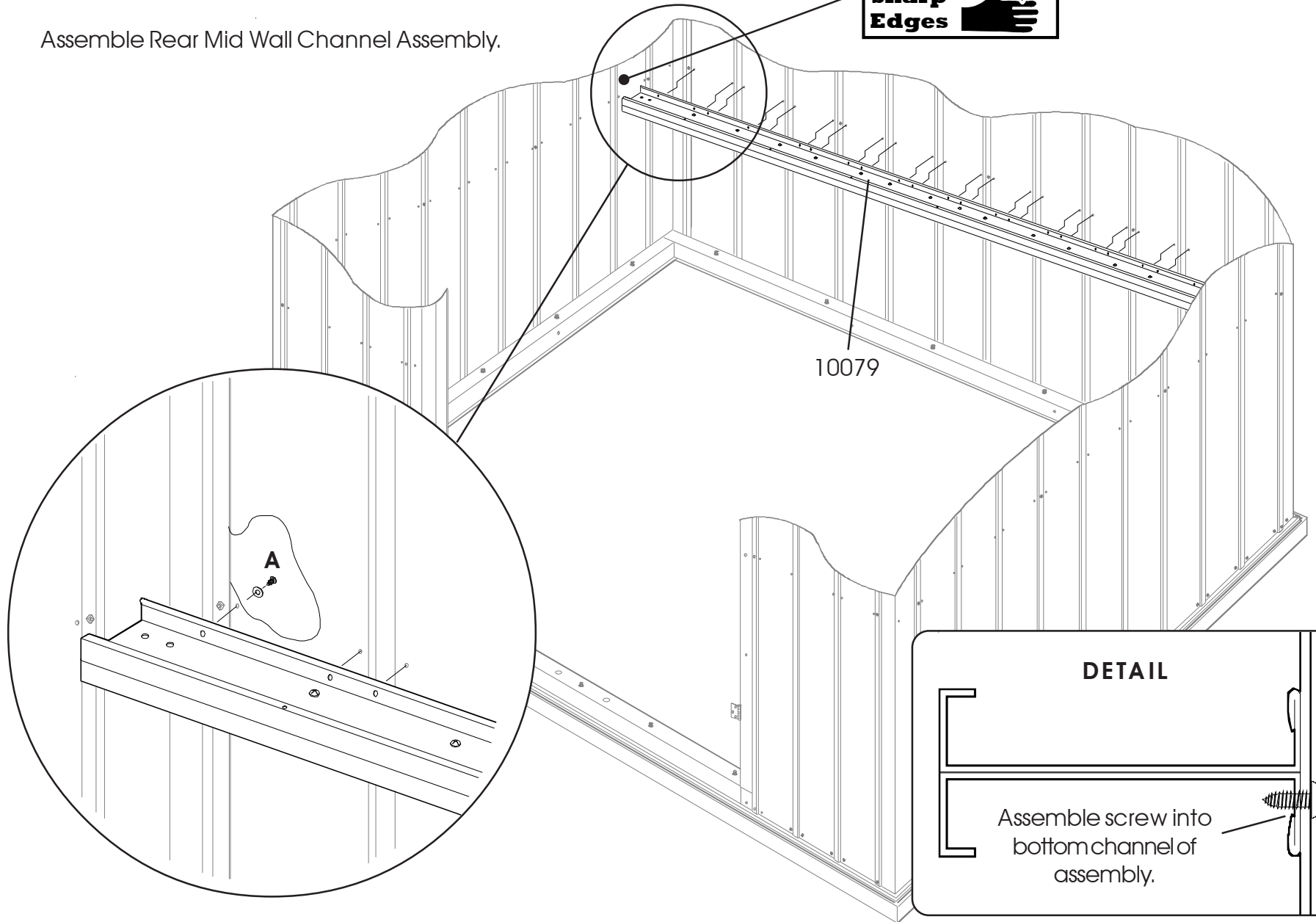
Assemble Header Support inside Header and attach with Header Trim.



Mid Wall Channels . . .Continued



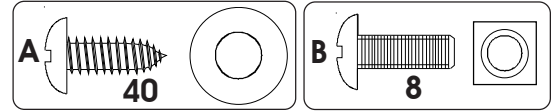
Assemble Rear Mid Wall Channel Assembly.



DETAIL

Assemble screw into bottom channel of assembly.

Mid Wall Channels . . .Continued

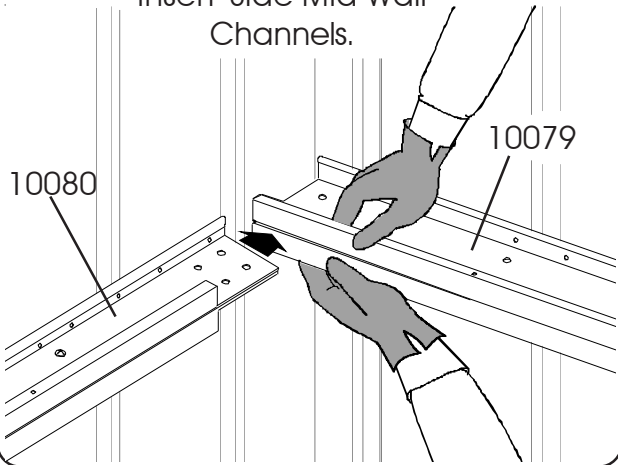


Assemble side Mid Wall Channel Assemblies.

10080

1

Make small gap & Insert Side Mid Wall Channels.

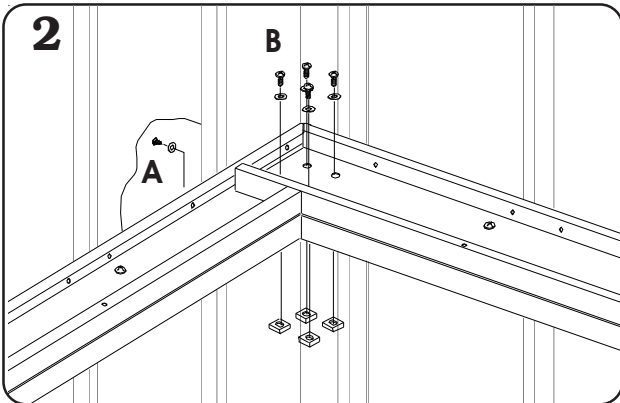


10080

2

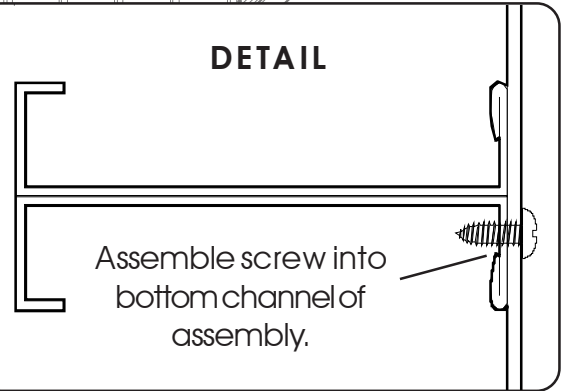
B

A

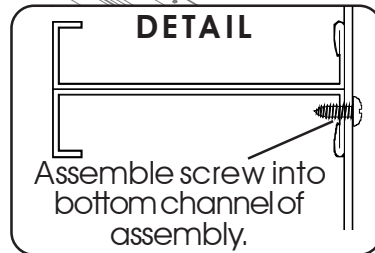
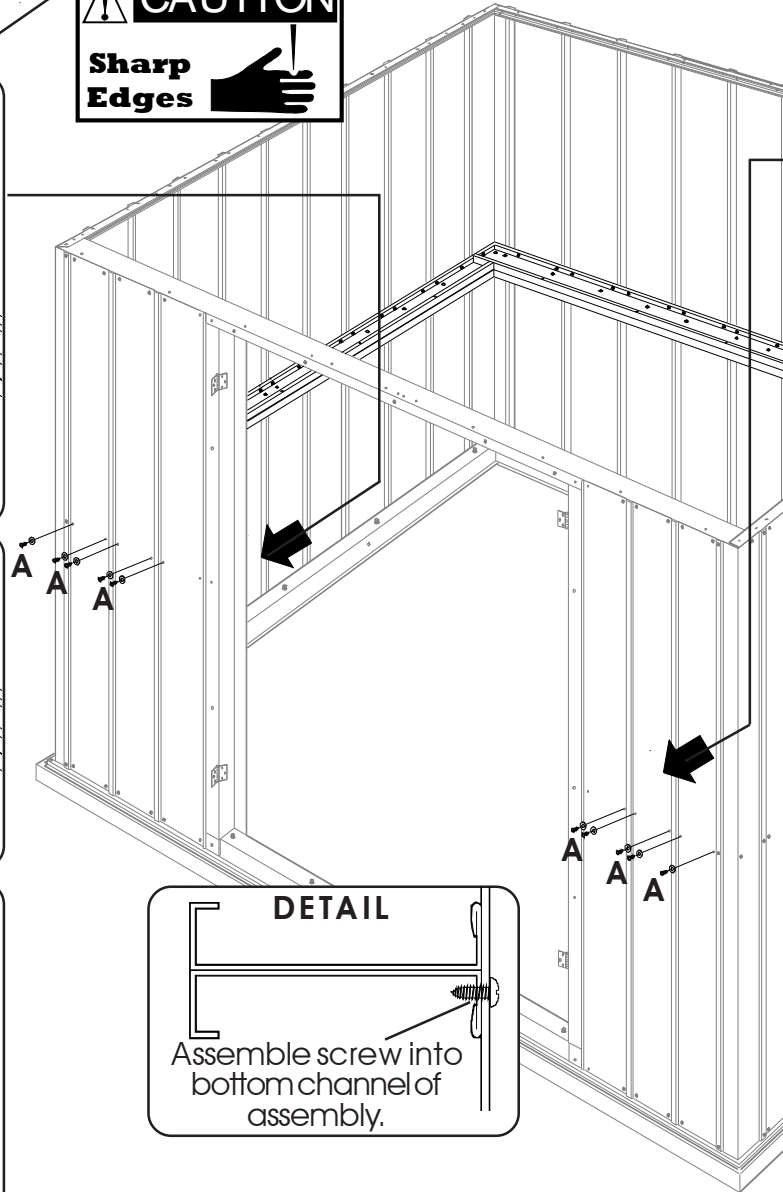
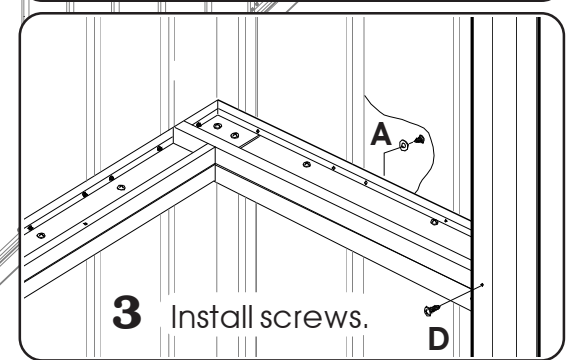
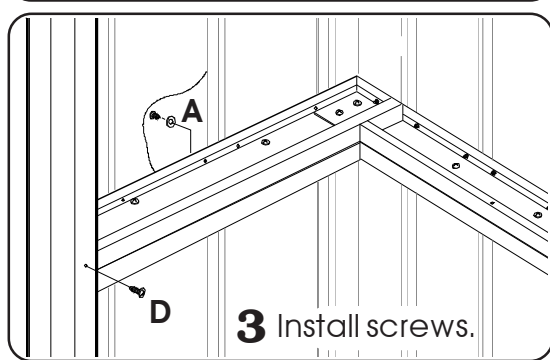
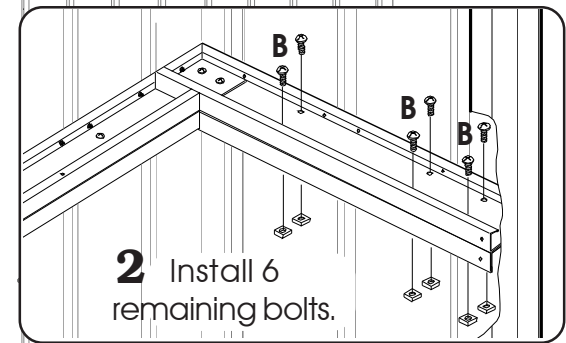
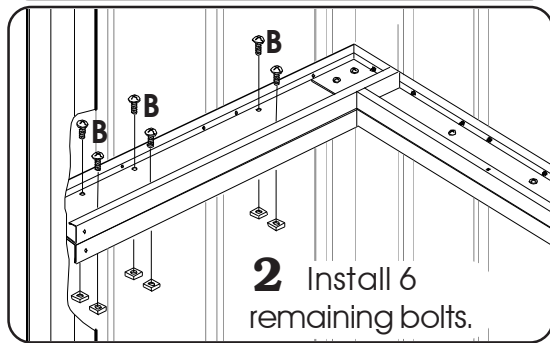
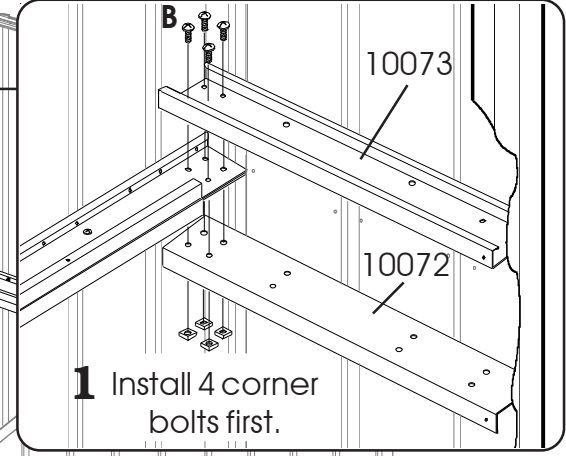
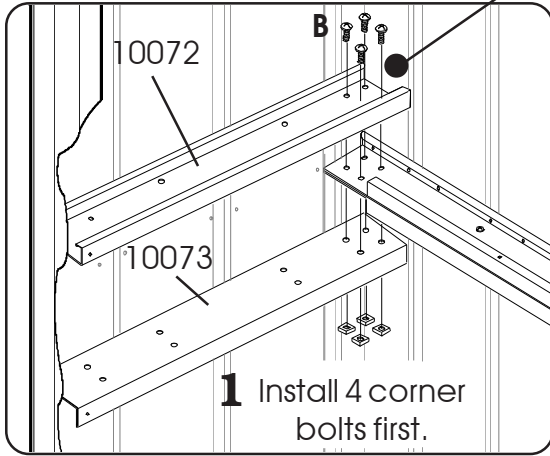
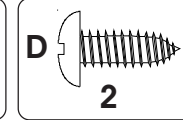
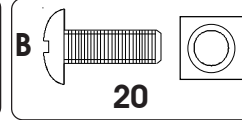
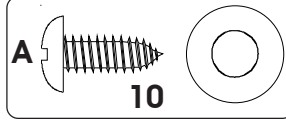


DETAIL

Assemble screw into bottom channel of assembly.

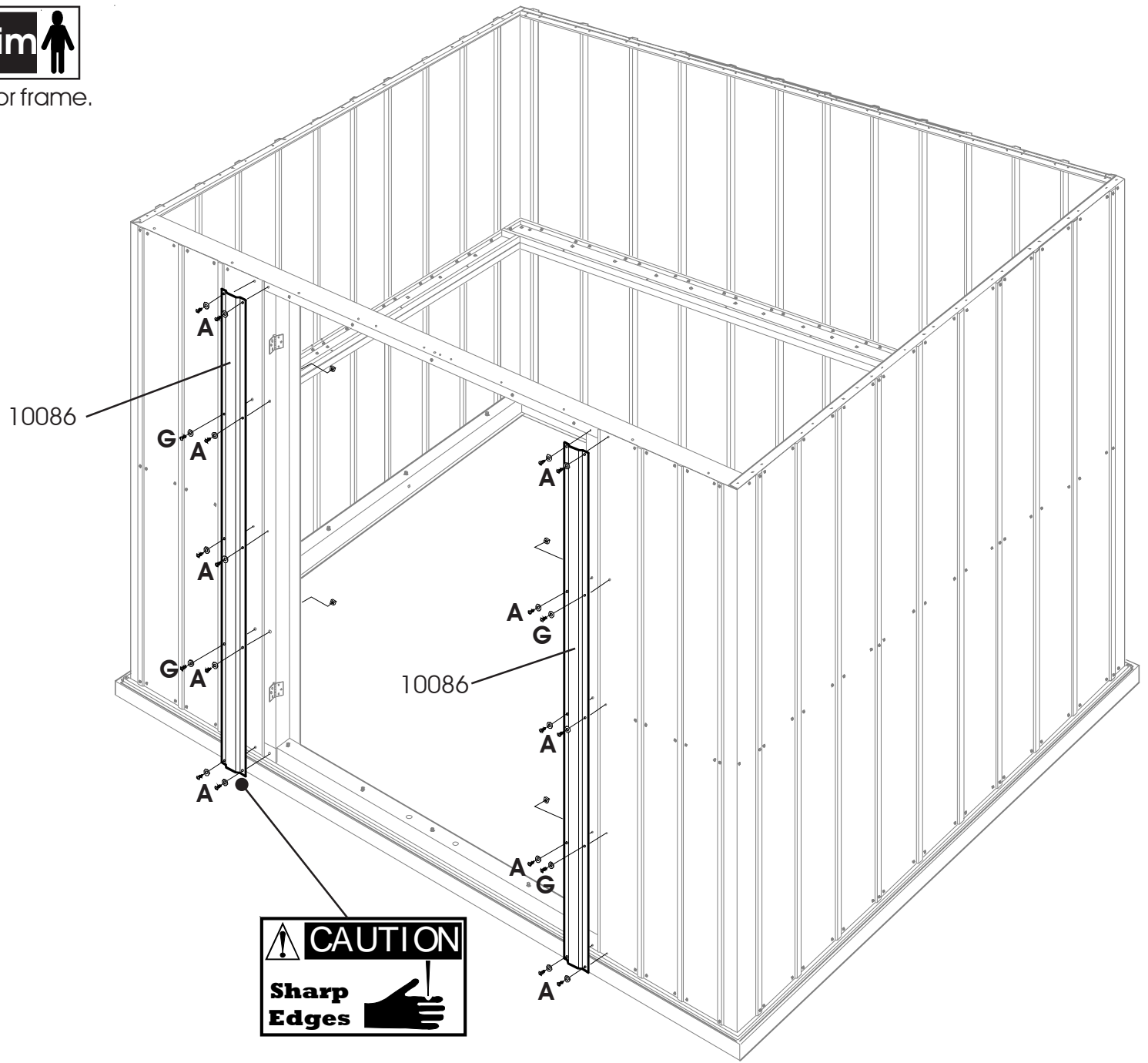
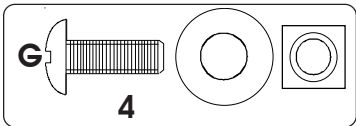
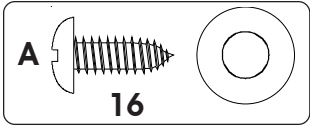


Mid Wall Channels Continued.....

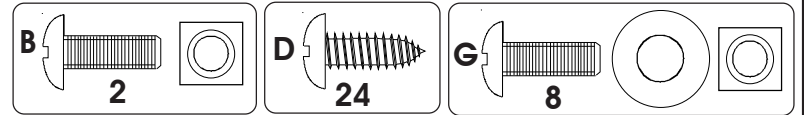


Step 10 Door Trim

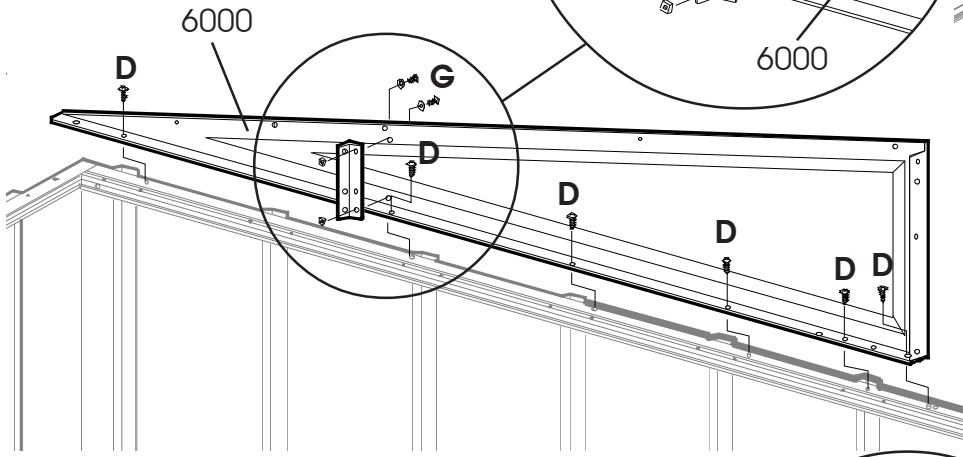
Assemble Door Trim to door frame.



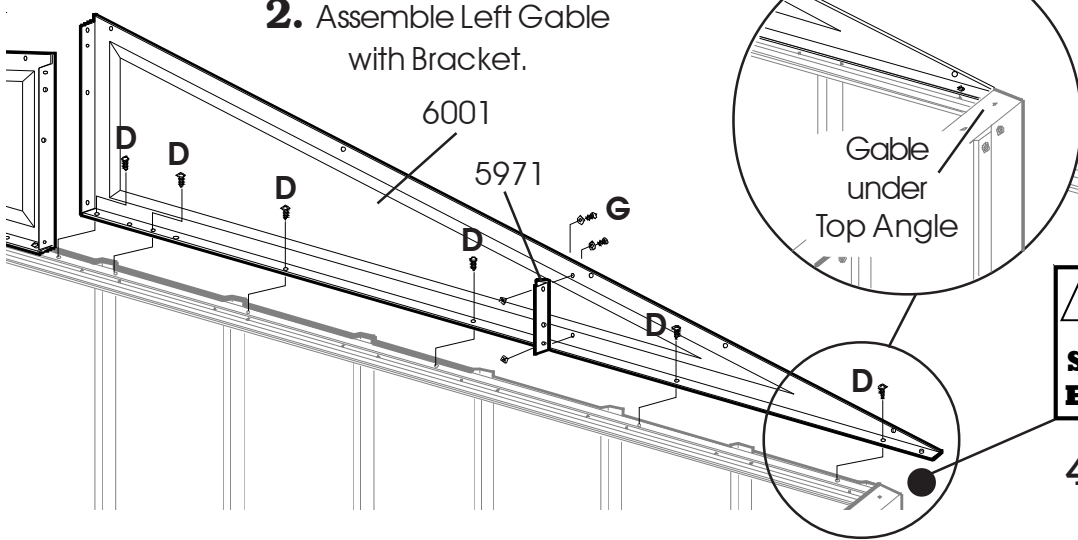
Step 11 Gables



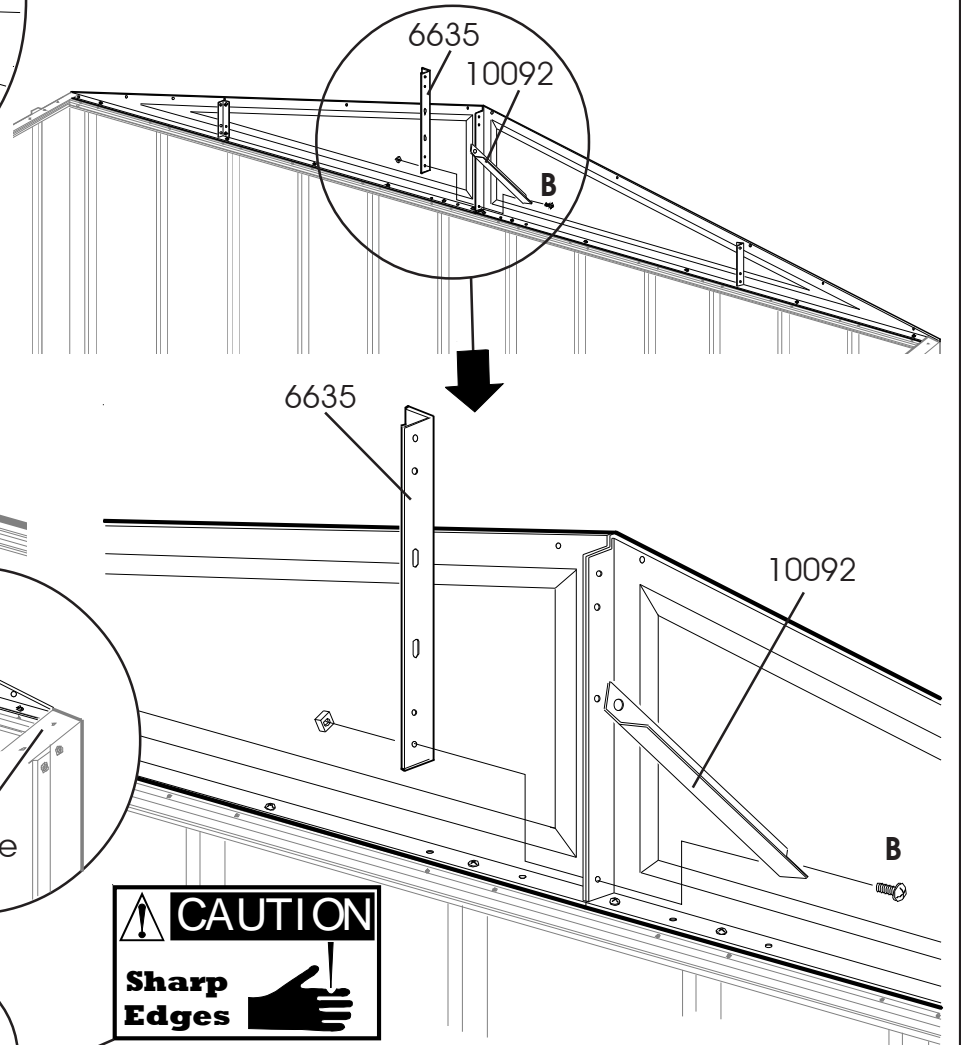
1. Assemble Right Gable with Bracket.



2. Assemble Left Gable with Bracket.

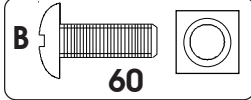


3. Assemble Gable Brace & Roof Brace

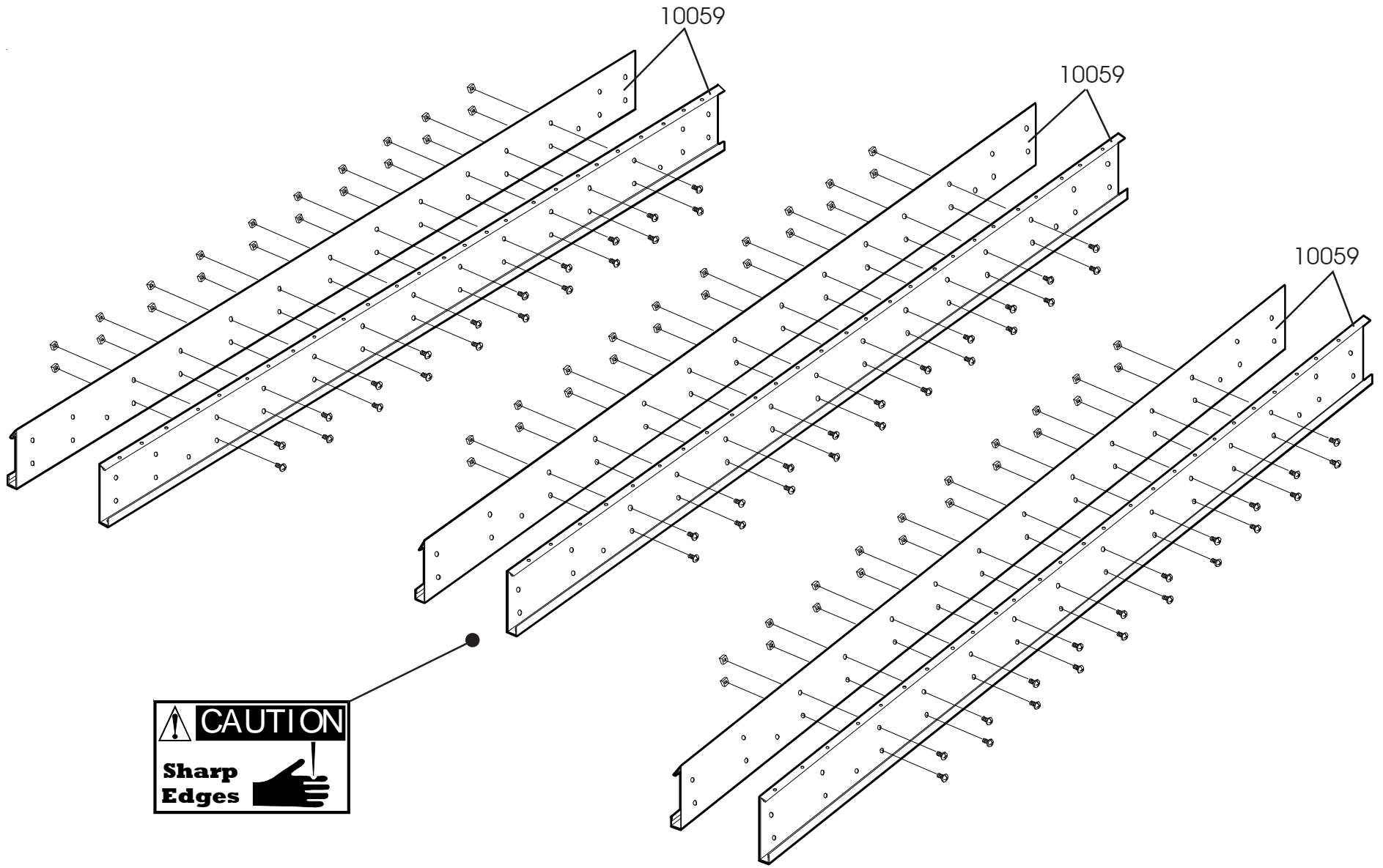


4. Repeat these steps to assemble Gables on front of building.

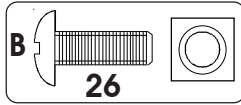
Step 12 Roof Beams



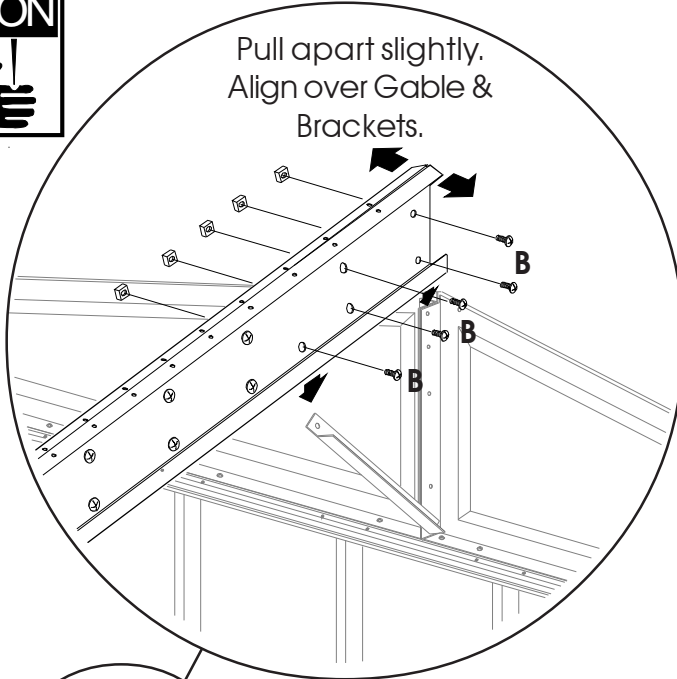
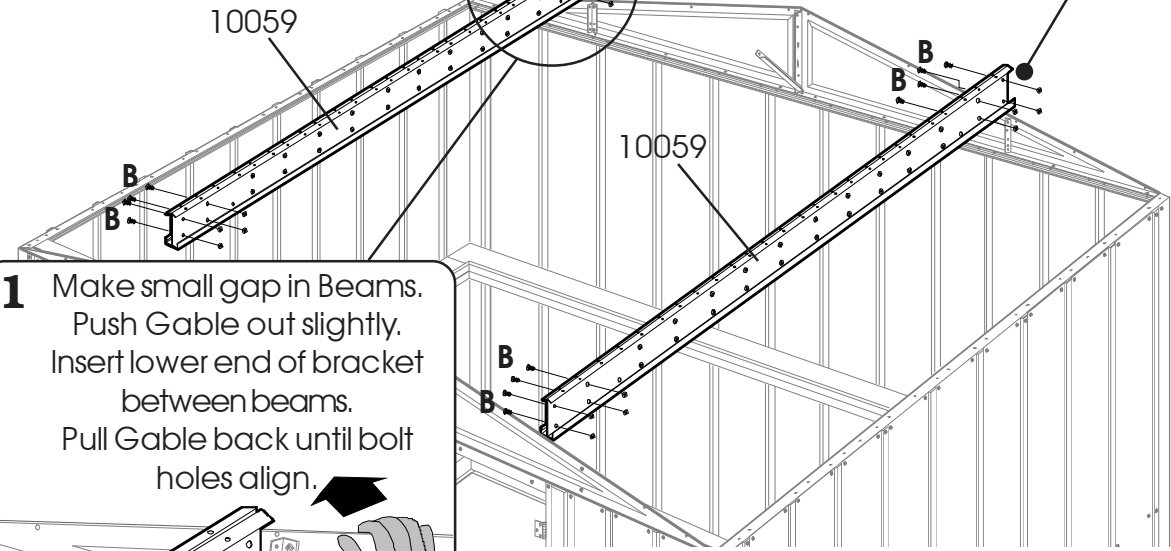
Assemble Roof Beams.



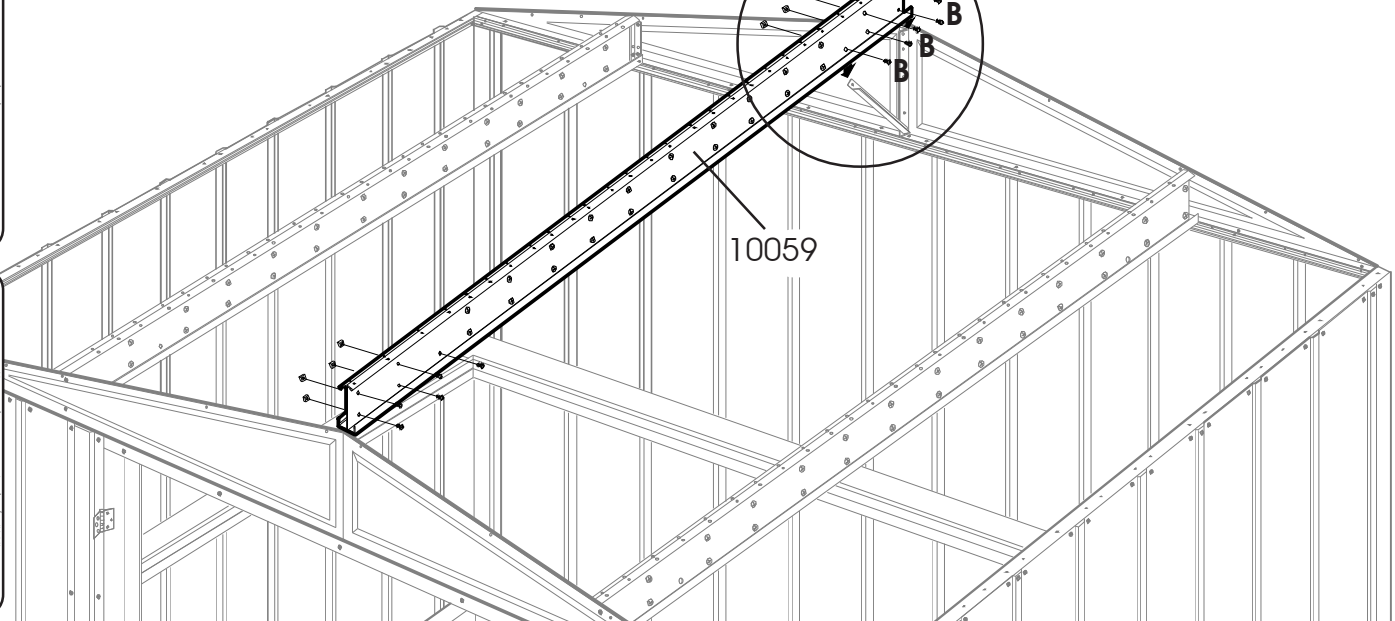
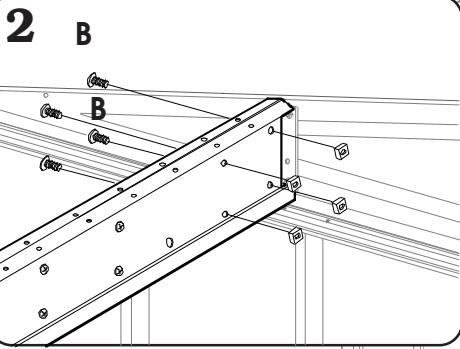
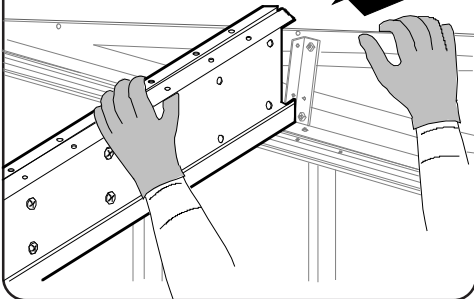
Roof Beams Continued . . .



Assemble Roof Beams to Brackets.



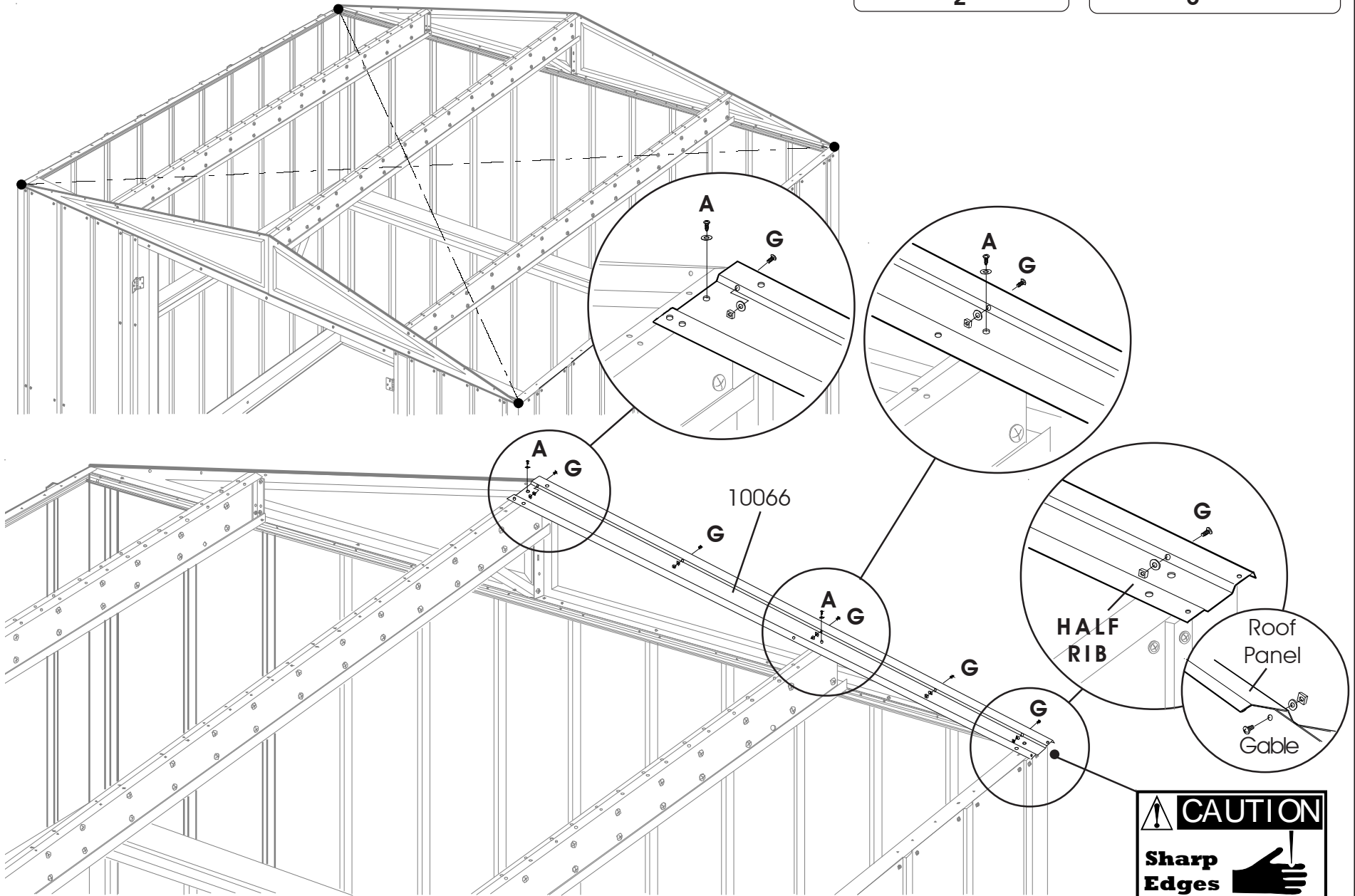
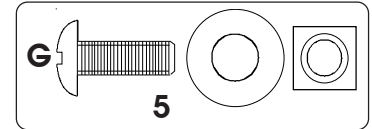
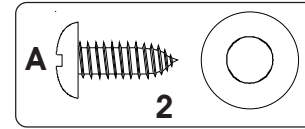
1 Make small gap in Beams. Push Gable out slightly. Insert lower end of bracket between beams. Pull Gable back until bolt holes align.



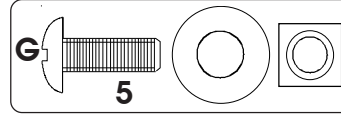
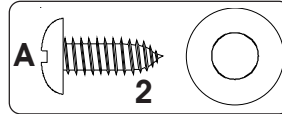
Step 13 Roof Panels



Measure Building diagonally.
Make sure building is
square and level.

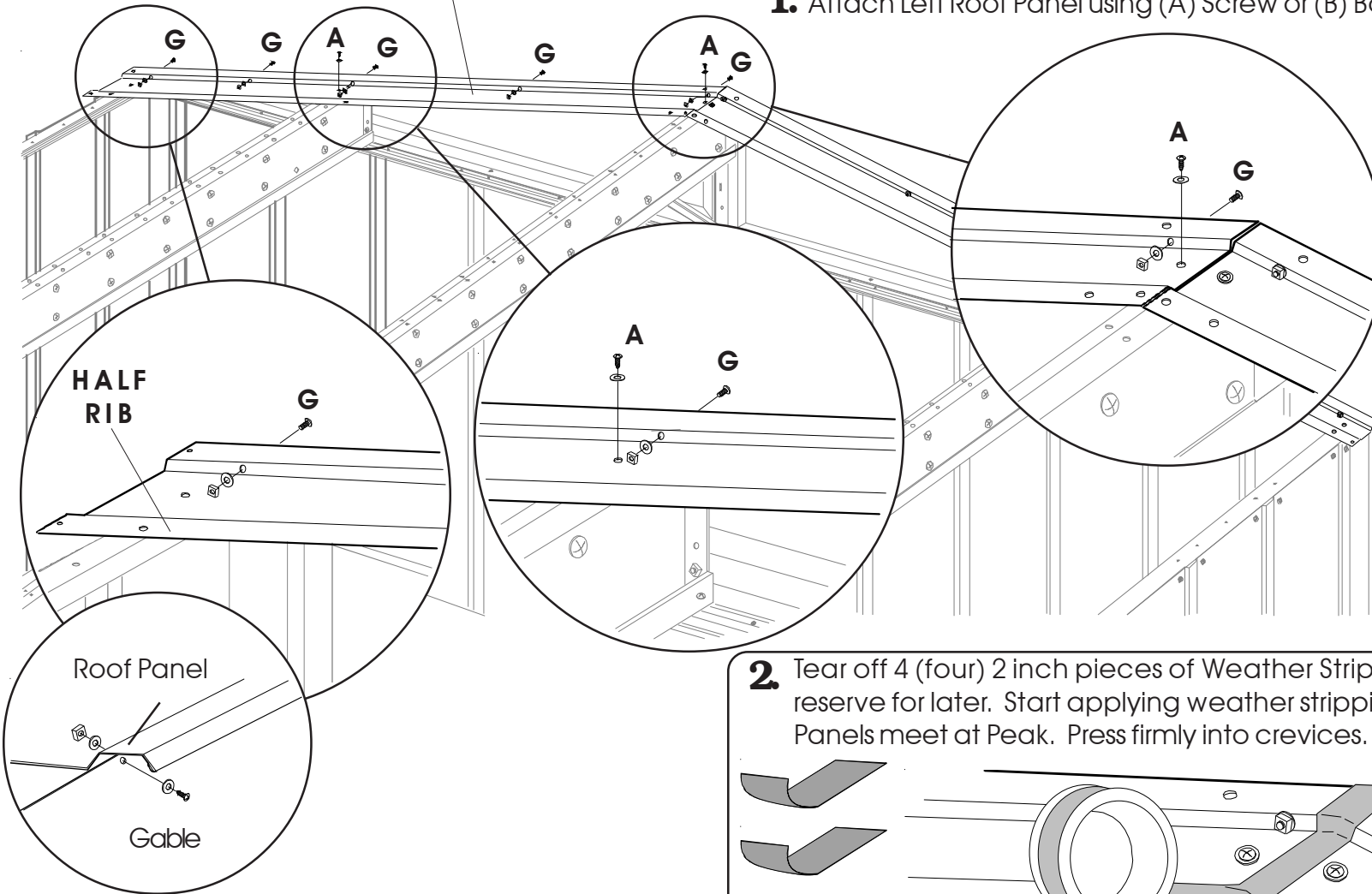


Roof Panels Continued . . .

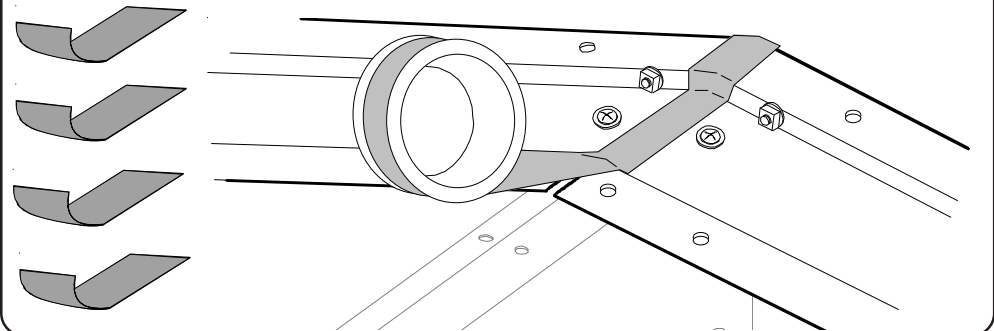


10067

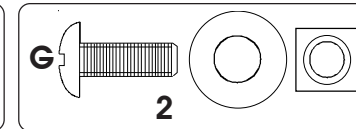
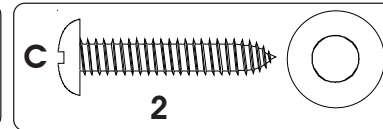
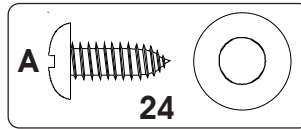
1. Attach Left Roof Panel using (A) Screw or (B) Bolt as indicated.



2. Tear off 4 (four) 2 inch pieces of Weather Stripping Tape and reserve for later. Start applying weather stripping tape where Panels meet at Peak. Press firmly into crevices.



Roof Panels Continued . .

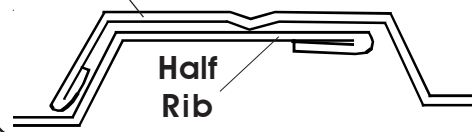


Assemble two Roof Panels (10069).

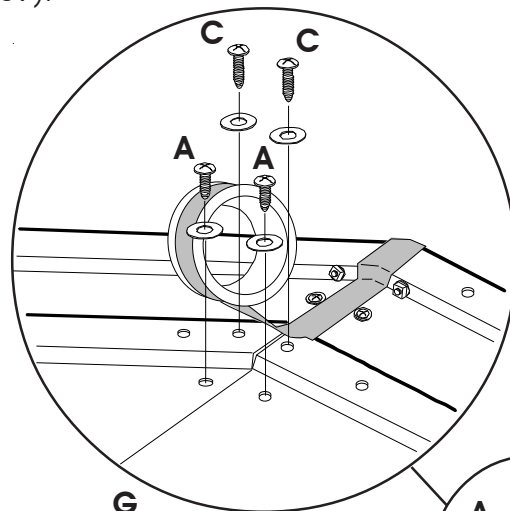
The Roof Panels on this side join with a Small Rib and a Half Rib. The Small Rib is placed over the Half Rib.

Small Rib

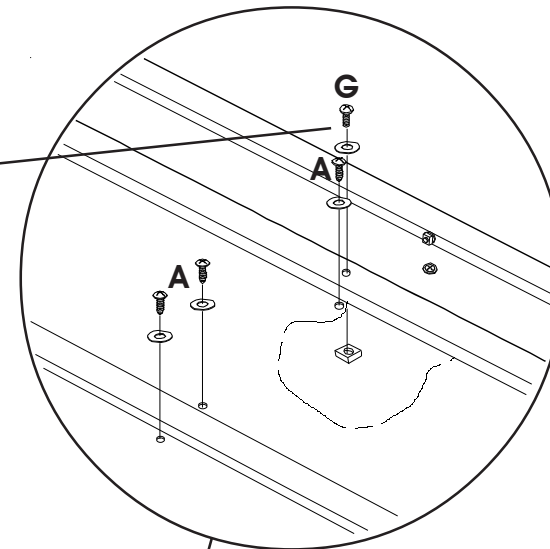
Half Rib



10069



All Panels are assembled with Bolt Washer & Nut at center where Panels overlap.



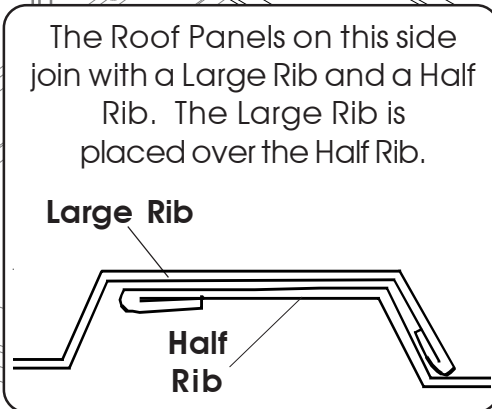
10069



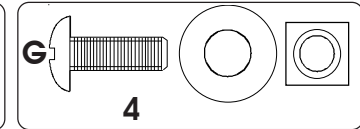
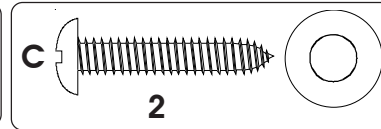
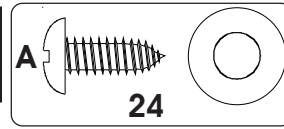
The Roof Panels on this side join with a Large Rib and a Half Rib. The Large Rib is placed over the Half Rib.

Large Rib

Half Rib

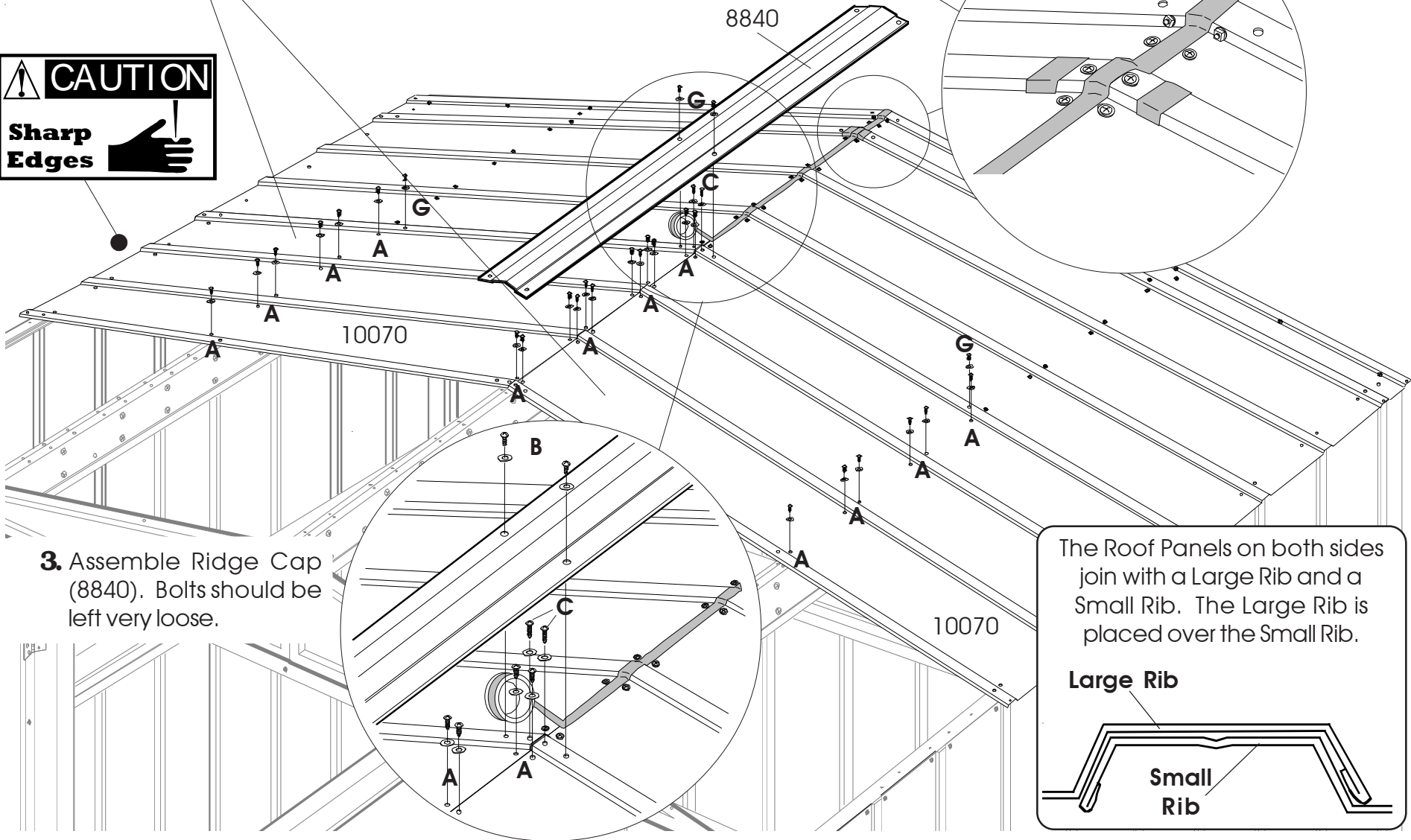


Roof Panels Continued . . .



1. Assemble Roof Panels (10070).

2. Continue applying Weather Stripping Tape. Place two of the 2" pieces of tape on Bolt hole of first overlapped Panel.



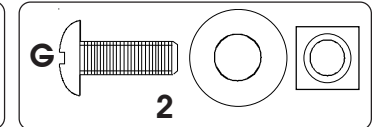
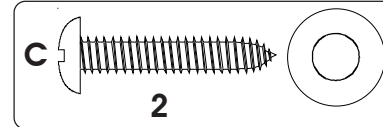
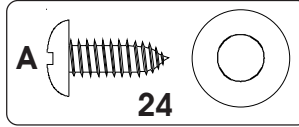
3. Assemble Ridge Cap (8840). Bolts should be left very loose.

The Roof Panels on both sides join with a Large Rib and a Small Rib. The Large Rib is placed over the Small Rib.

Large Rib

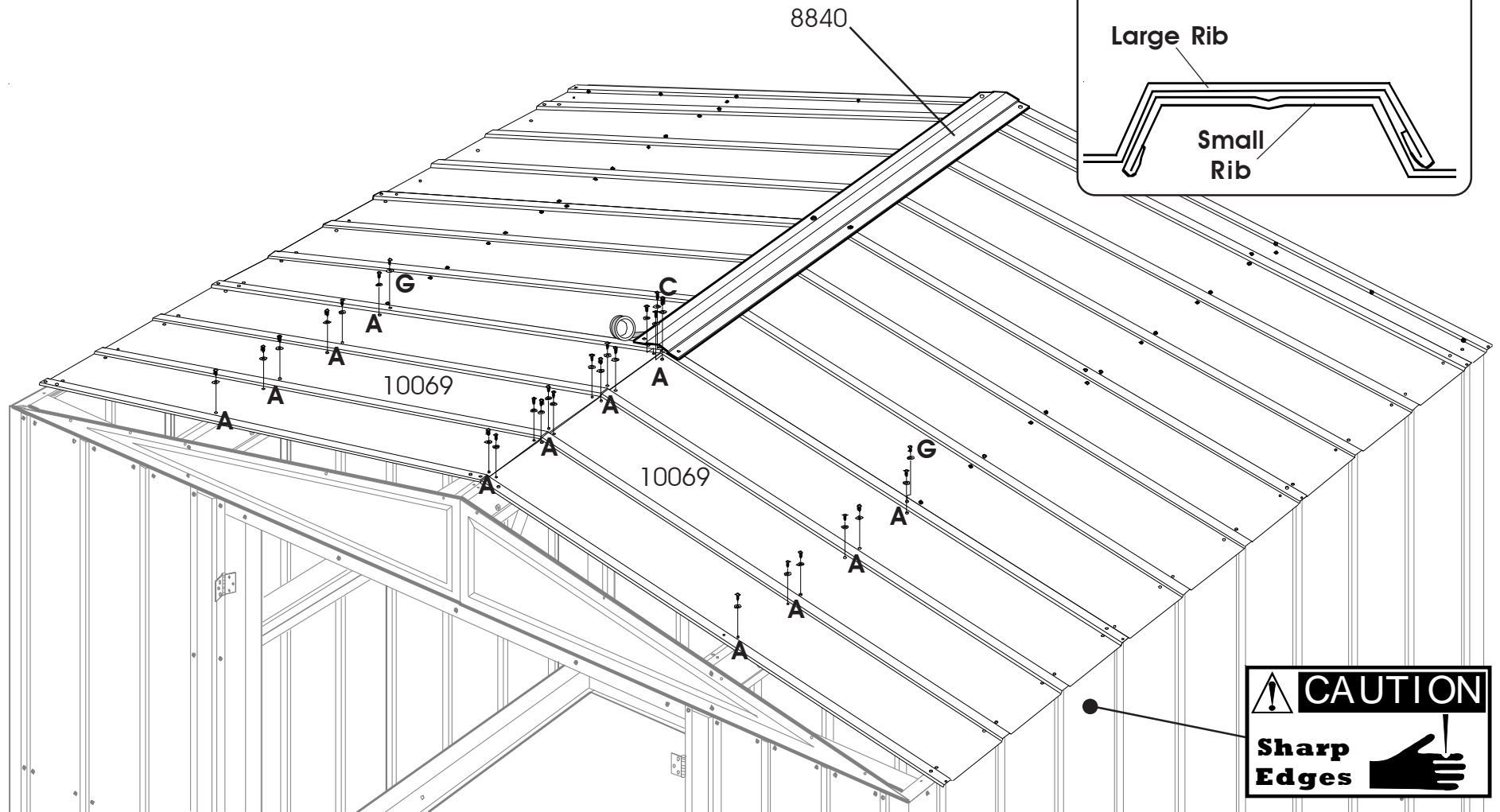
Small Rib

Roof Panels Continued . .

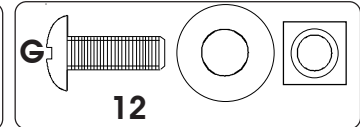
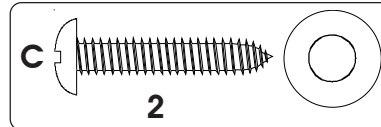
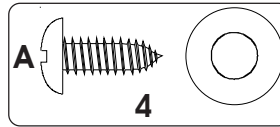


Assemble Roof Panels (10069). Ridge Cap (8840) will have to be moved slightly from side to side to allow (C) Screw to be assembled in Panel overlap.

The Roof Panels on both sides join with a Large Rib and a Small Rib. The Large Rib is placed over the Small Rib.



Roof Panels Continued . . .



The Roof Panels on this side join with a Large Rib and a Half Rib. The Large Rib is placed over the Half Rib.

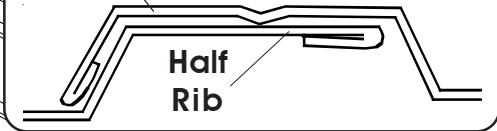
Large Rib



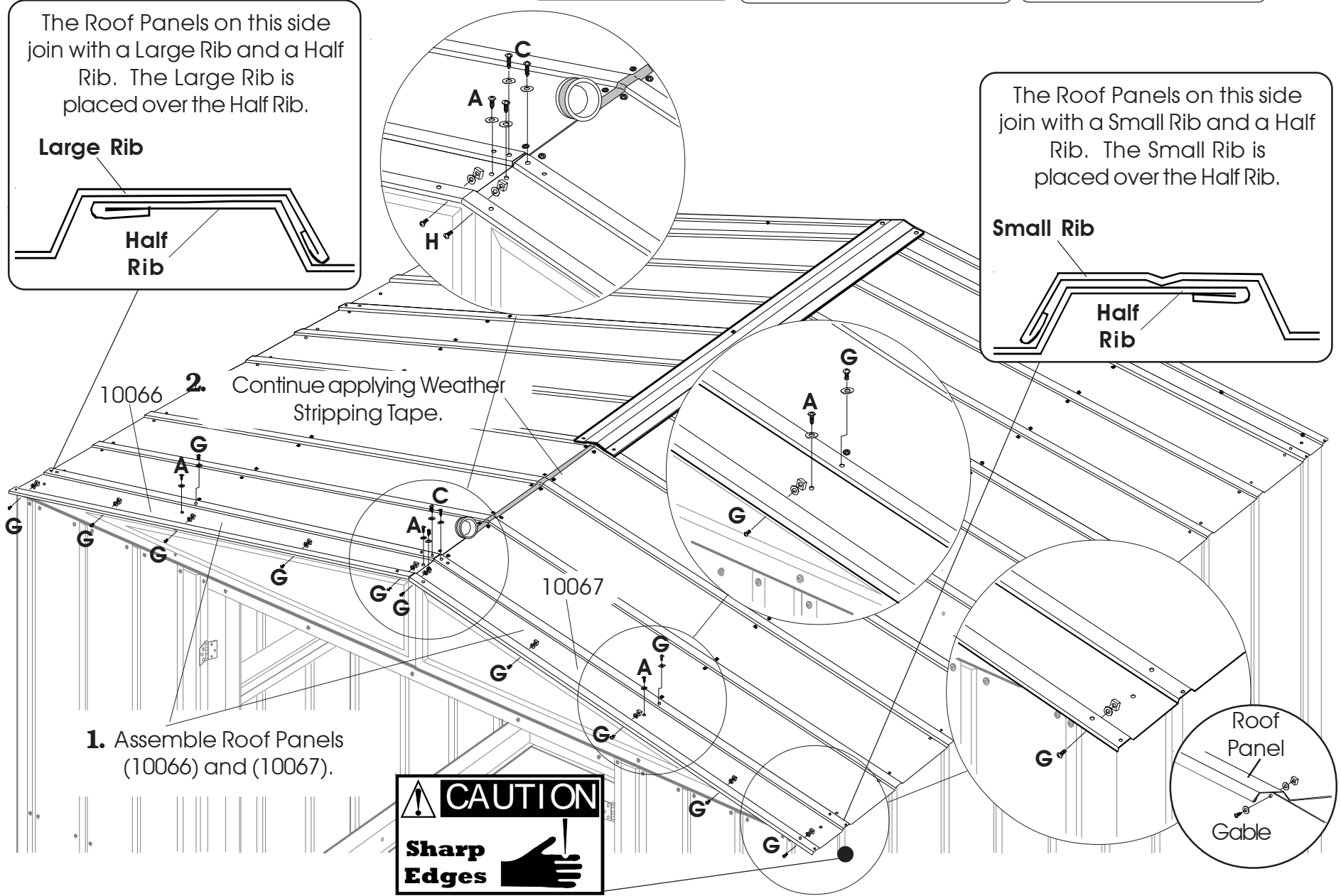
Half Rib

The Roof Panels on this side join with a Small Rib and a Half Rib. The Small Rib is placed over the Half Rib.

Small Rib

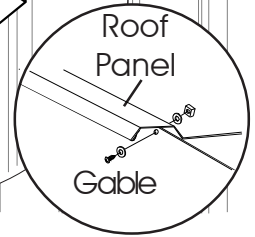


Half Rib

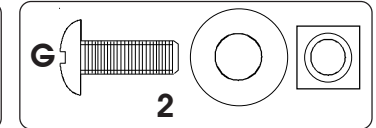
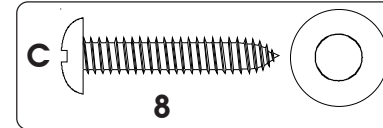
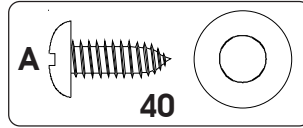


10066 2. Continue applying Weather Stripping Tape.

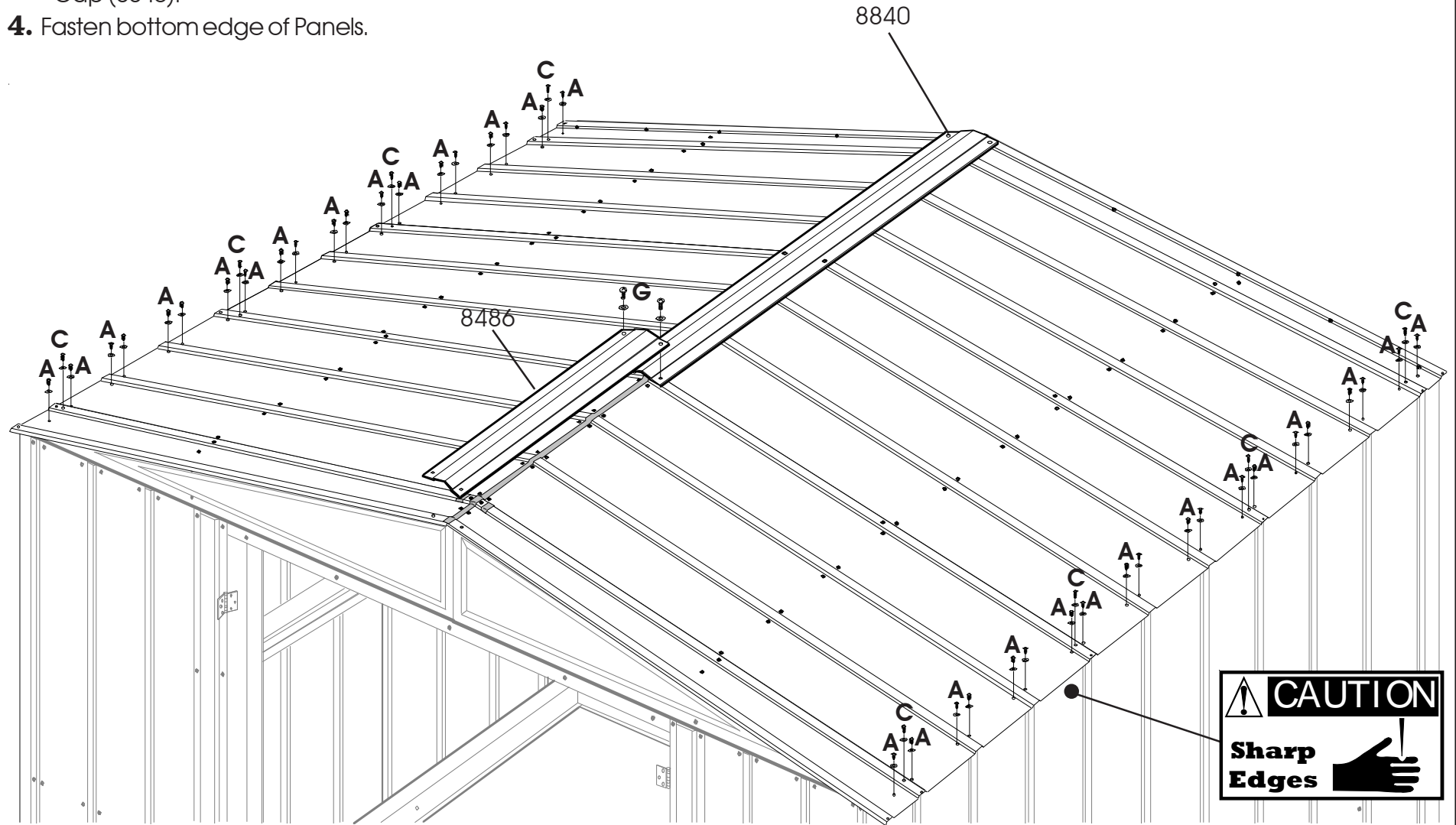
1. Assemble Roof Panels (10066) and (10067).



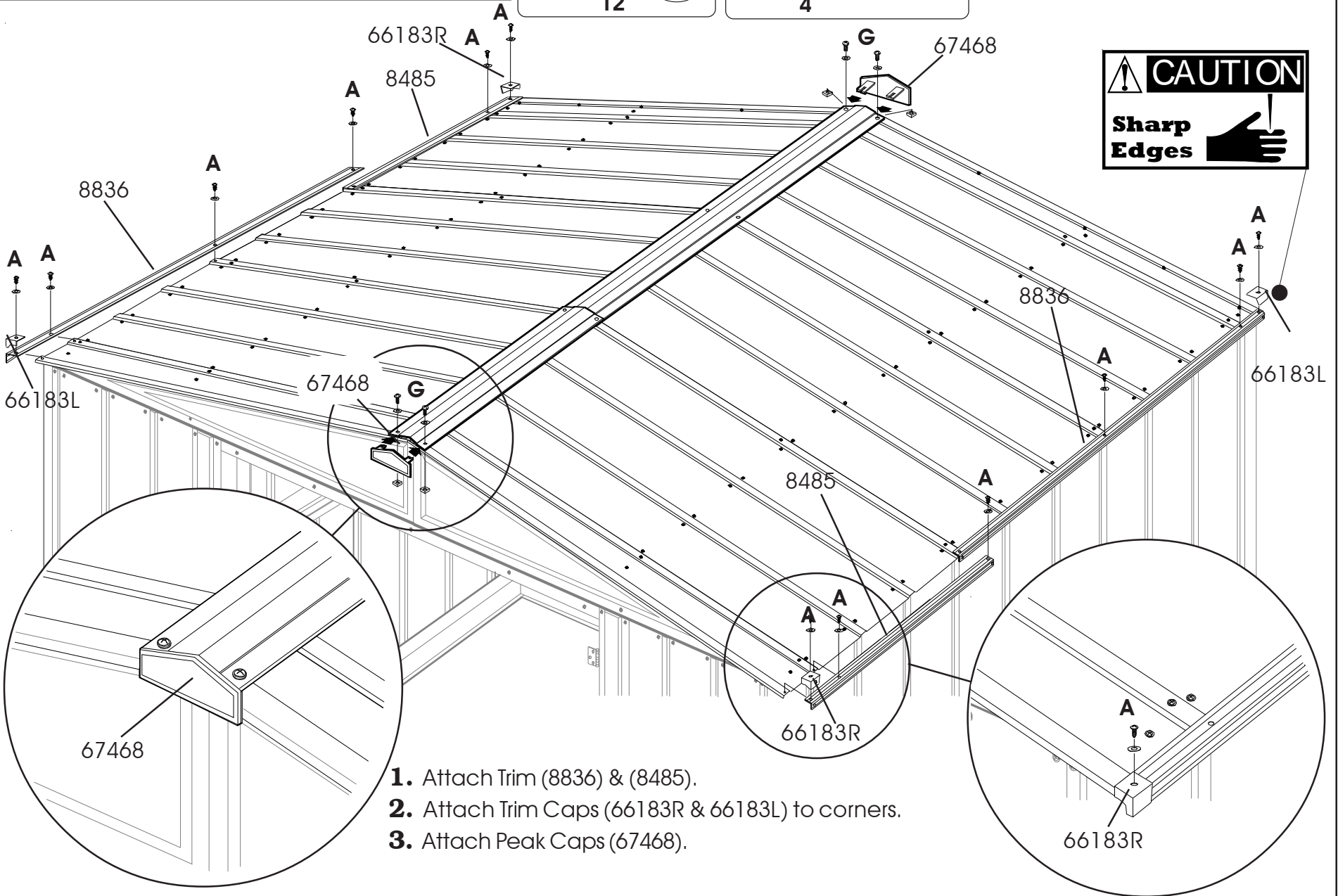
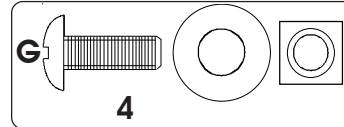
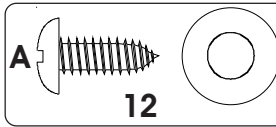
Roof Panels Continued . .



1. Continue applying Weather Stripping Tape.
2. Apply two inch pieces of Tape to Bolt Hole on last overlapped Panels.
3. Assemble Ridge Cap (8486) and tighten bolts on Ridge Cap (8840).
4. Fasten bottom edge of Panels.



Step 14 Trim and Caps

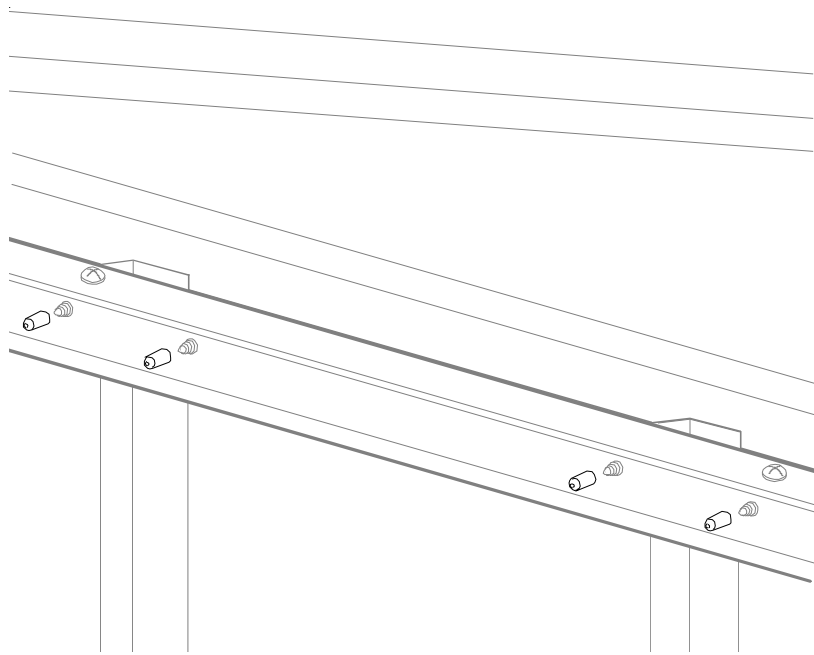


1. Attach Trim (8836) & (8485).
2. Attach Trim Caps (66183R & 66183L) to corners.
3. Attach Peak Caps (67468).

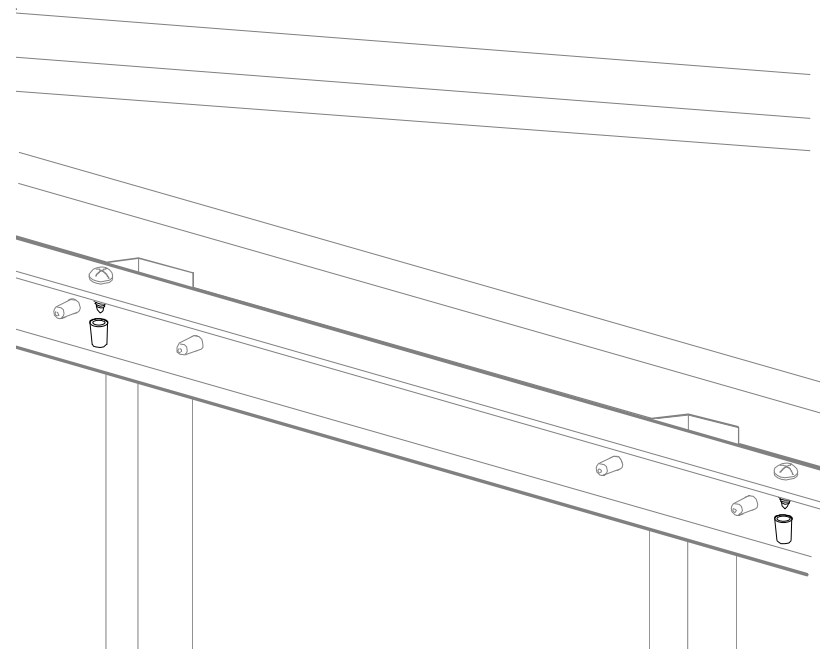
Step 15 Screw Caps



145



Place Screws Caps on screws ends protruding from the side of Top Wall Angles.

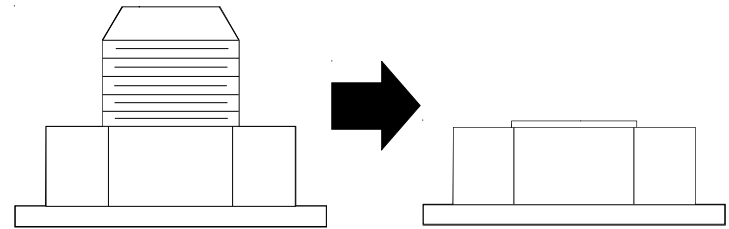
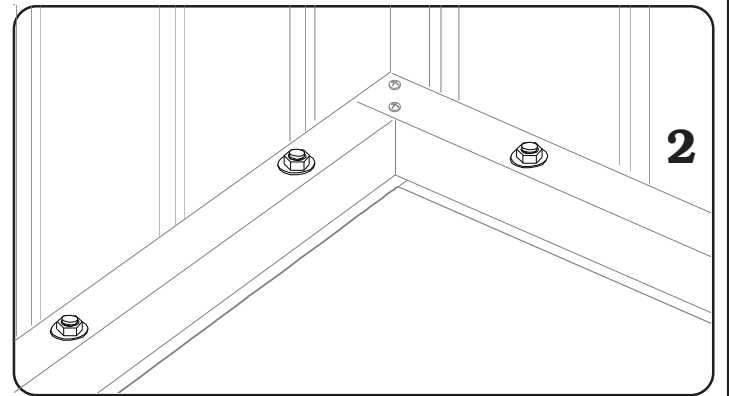
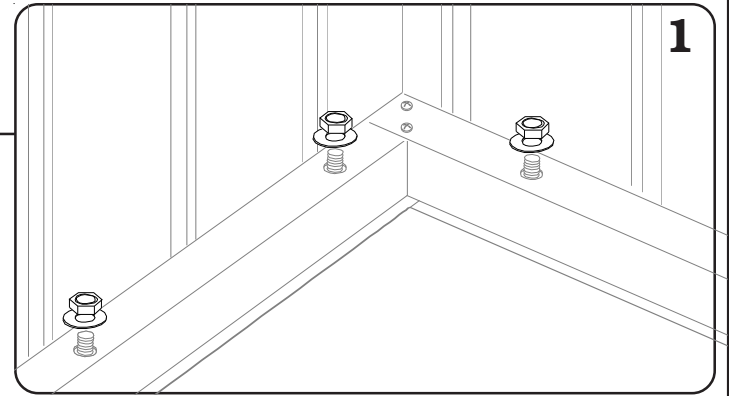
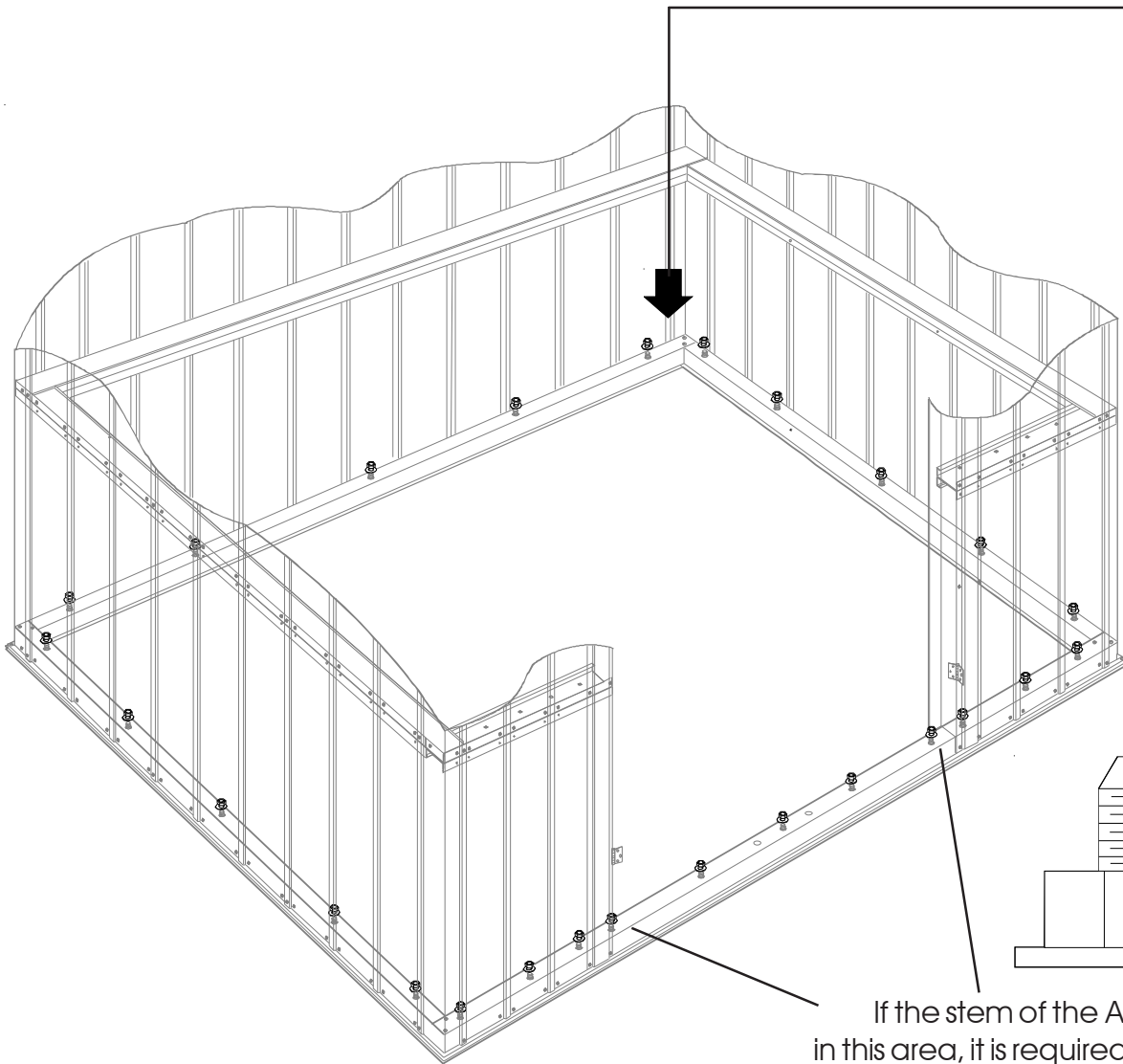


Place Screws Caps on screws ends protruding from underneath Top Wall Angles.

Step 16 Anchoring

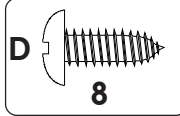


Place Hex Nut and Washer on all Anchor Bolts and tighten.



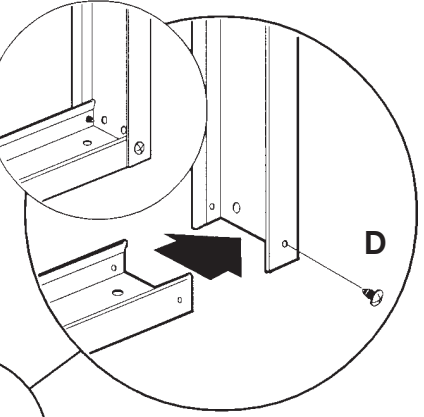
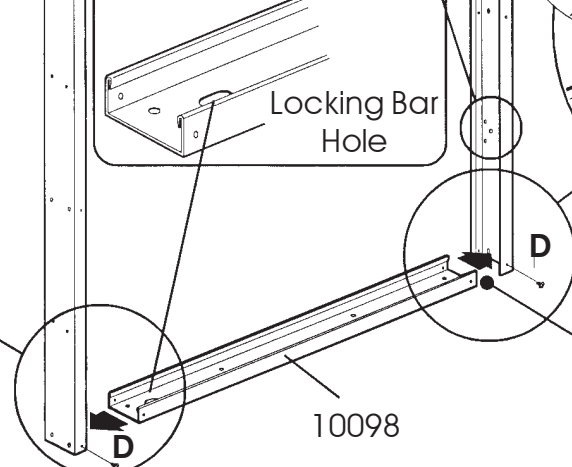
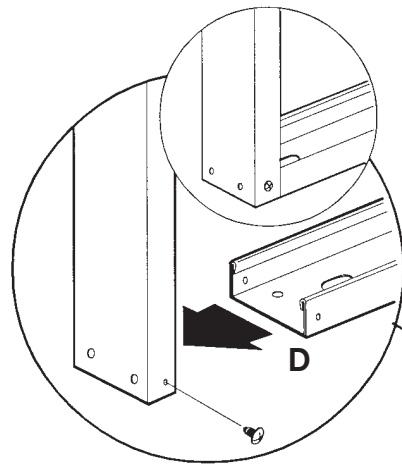
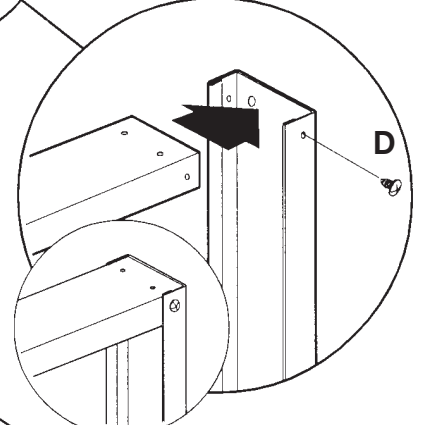
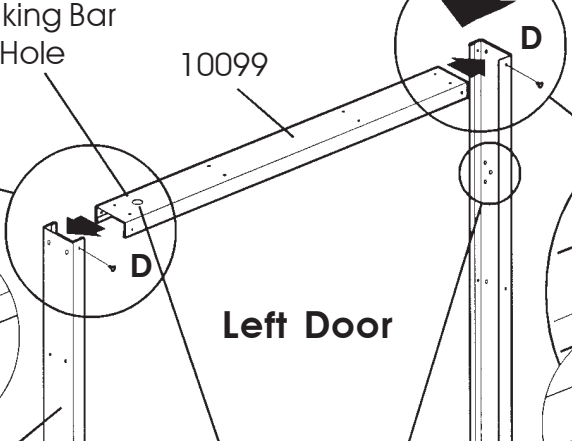
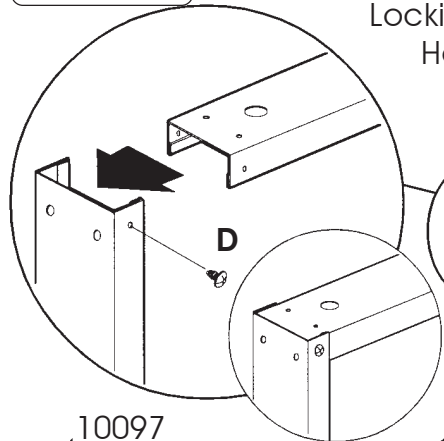
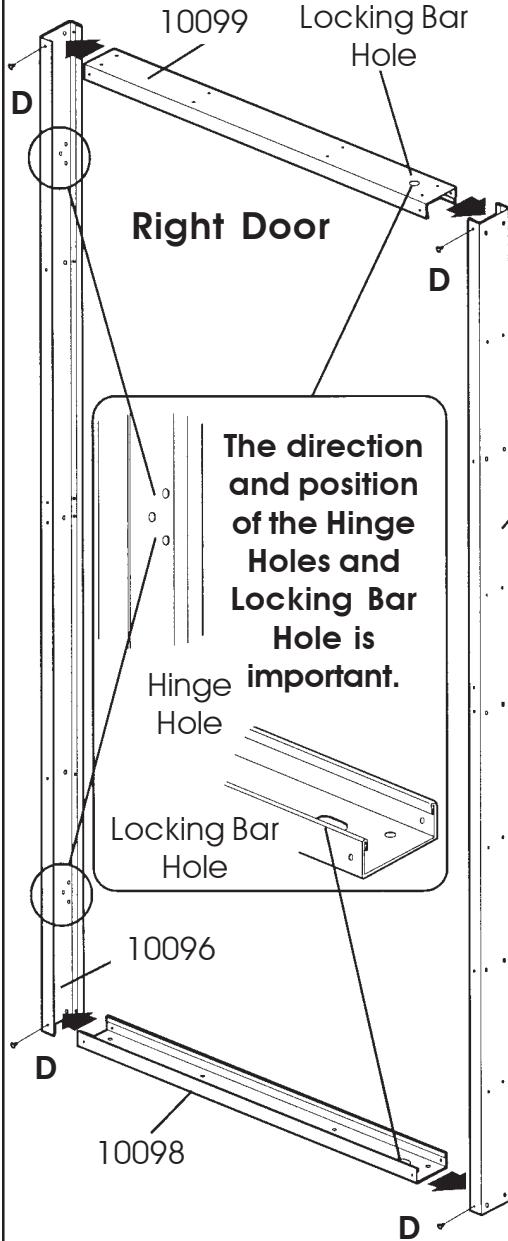
If the stem of the Anchor Bolt sticks out above the Hex Nut in this area, it is required that the stem be cut off above the Hex Nut.

Step 17 Doors



Assemble Door Frames.

Do not assemble Screws into other side of door frames.



The direction and position of the Hinge Holes and Locking Bar Hole is important.

Hinge Hole

Locking Bar Hole

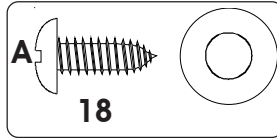
The direction and position of the Hinge Holes and Locking Bar Hole is important.

Hinge Hole

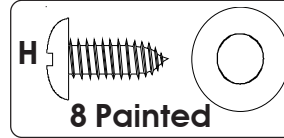
Locking Bar Hole



Doors Continued . . .



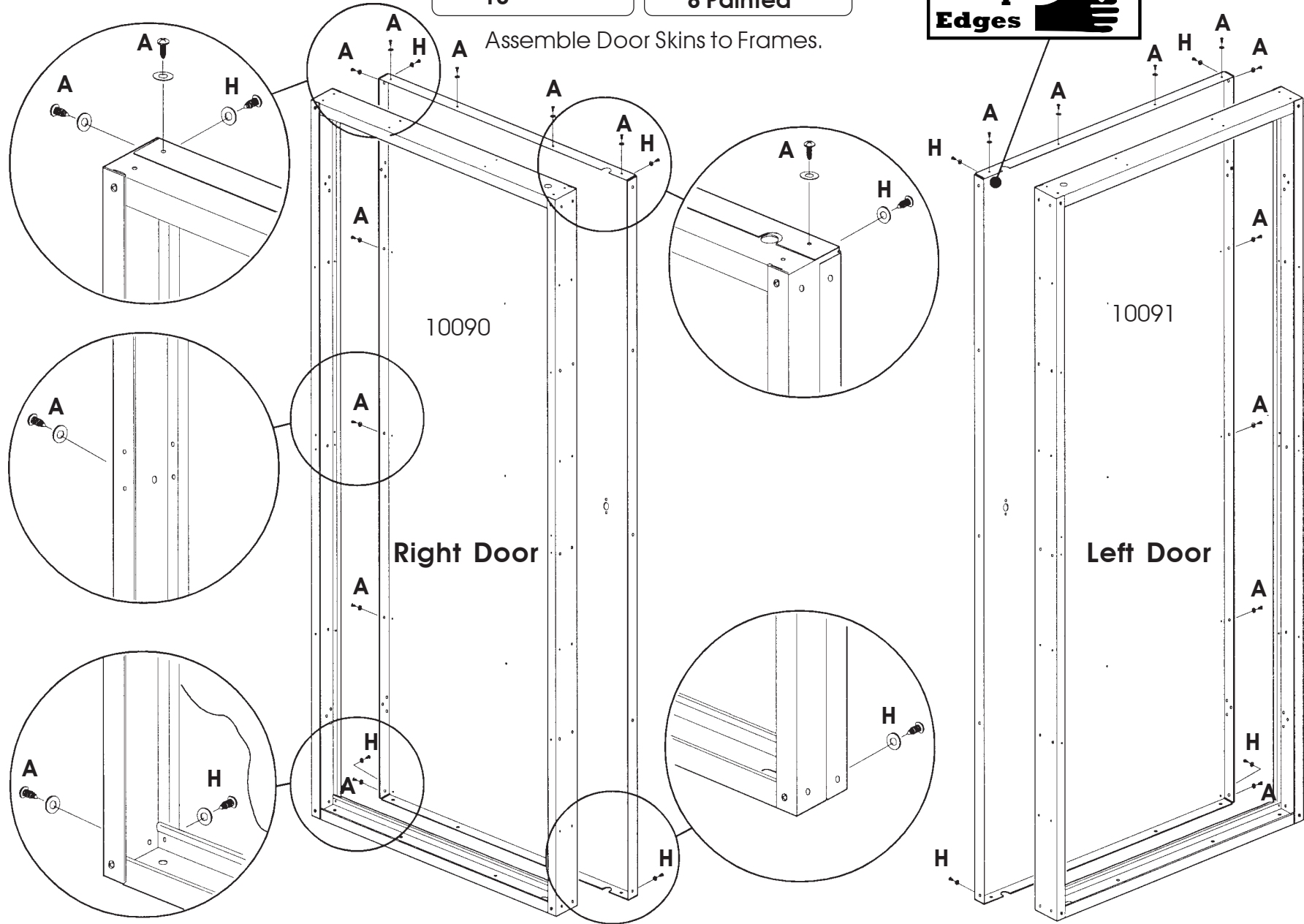
18



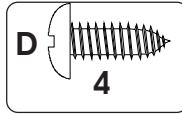
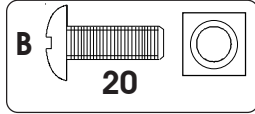
8 Painted



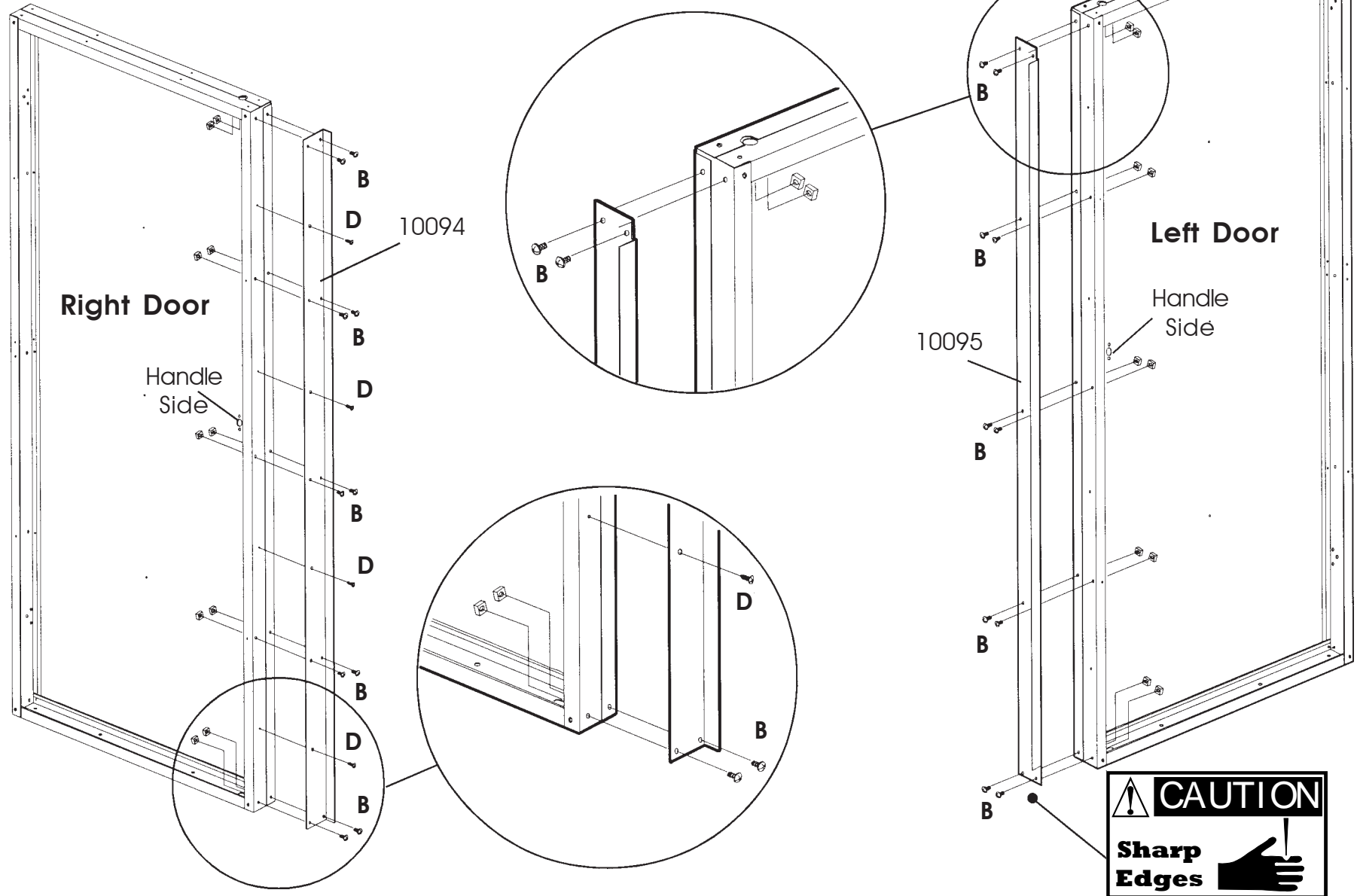
Assemble Door Skins to Frames.



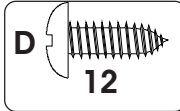
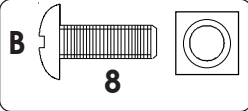
Doors Continued . . .



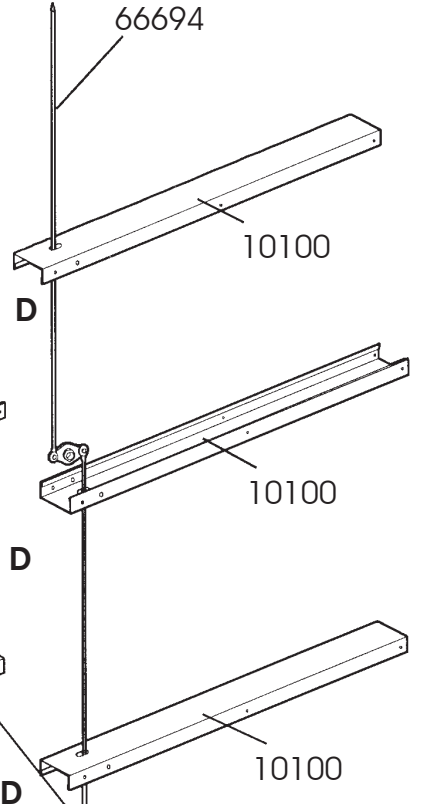
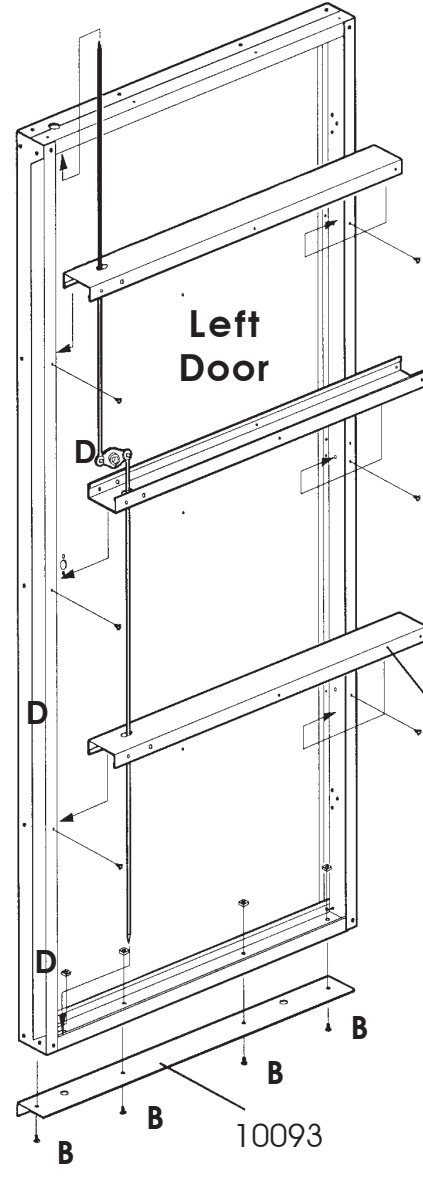
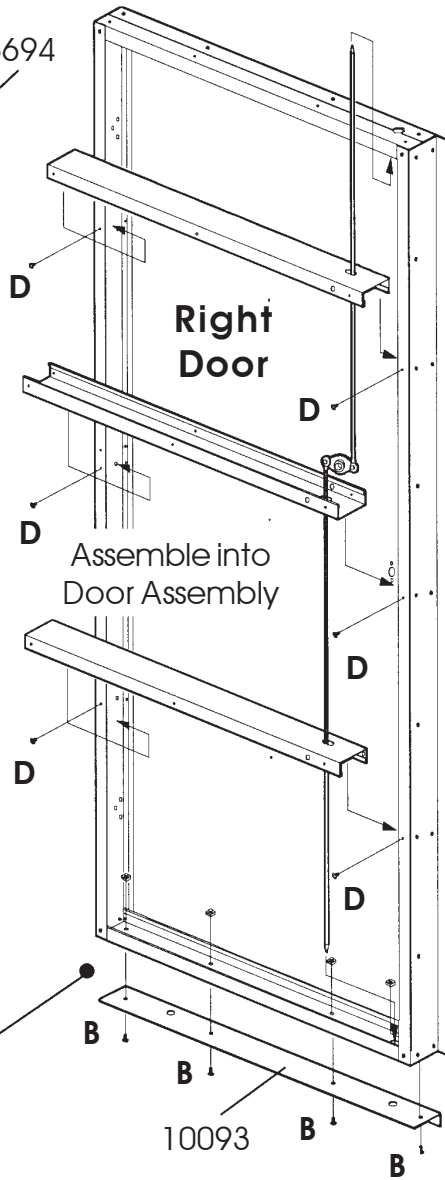
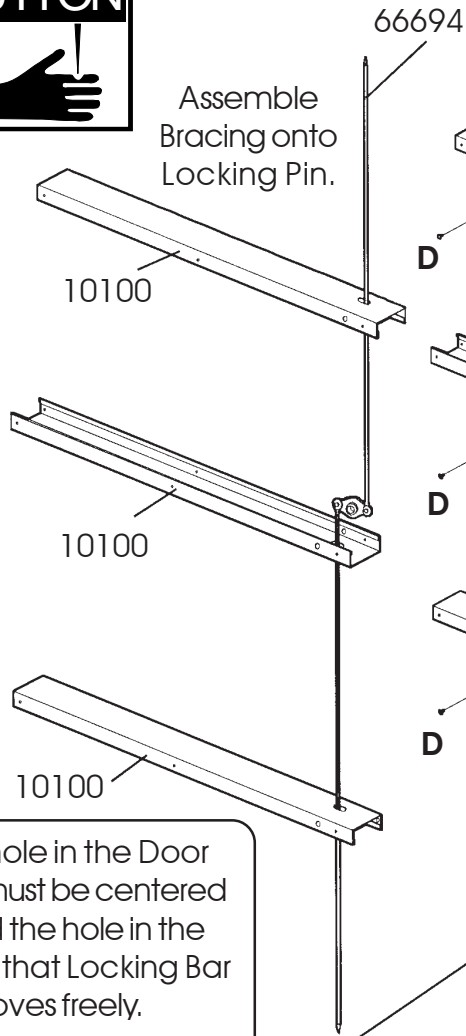
Attach Astragal and Door Stop to handle sides of Door Assemblies.



Doors Continued . . .

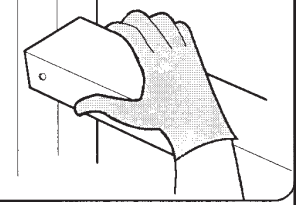
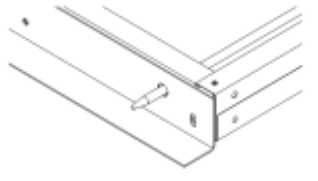


Assemble Horizontal Door Bracing, Locking Pin Assemblies and Door Sweeps to Doors.

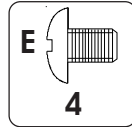
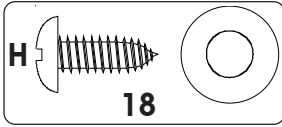


Large hole in the Door Sweep must be centered around the hole in the frame so that Locking Bar moves freely.

Squeeze in on ends of Door Bracing to help in assembly.

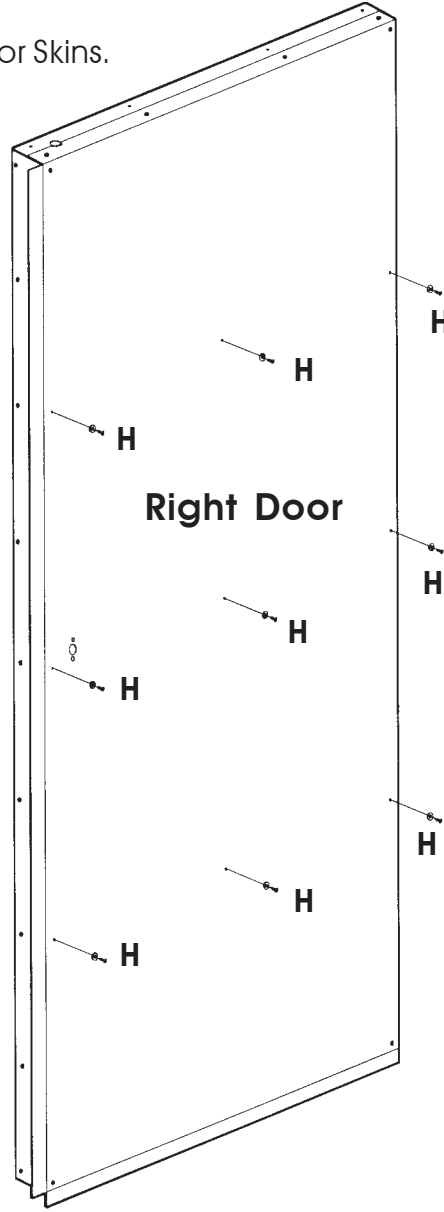
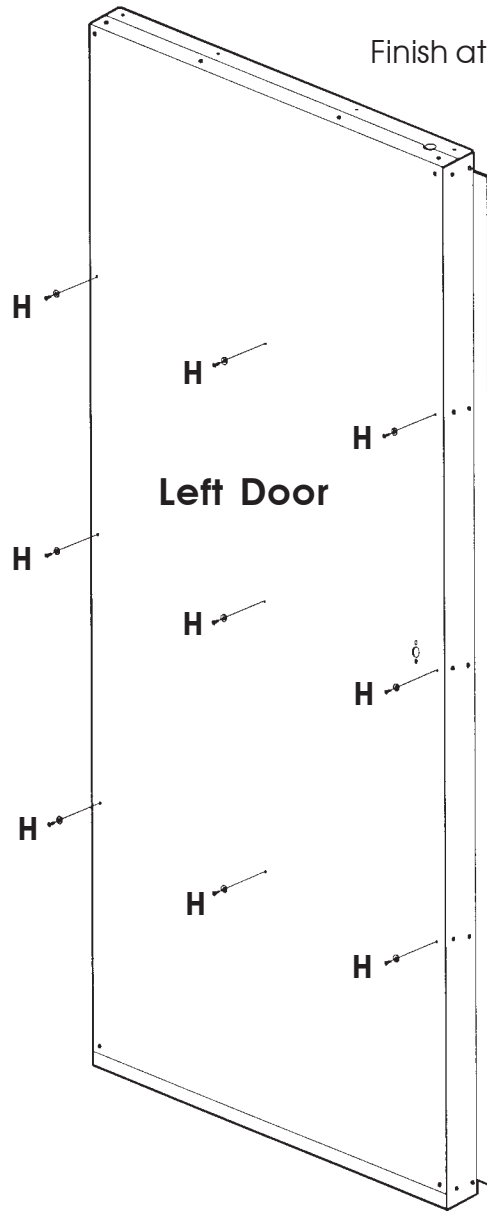


Doors Continued . . .

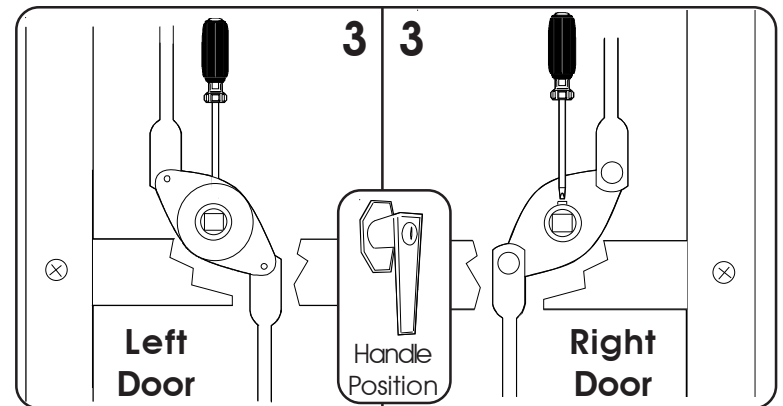
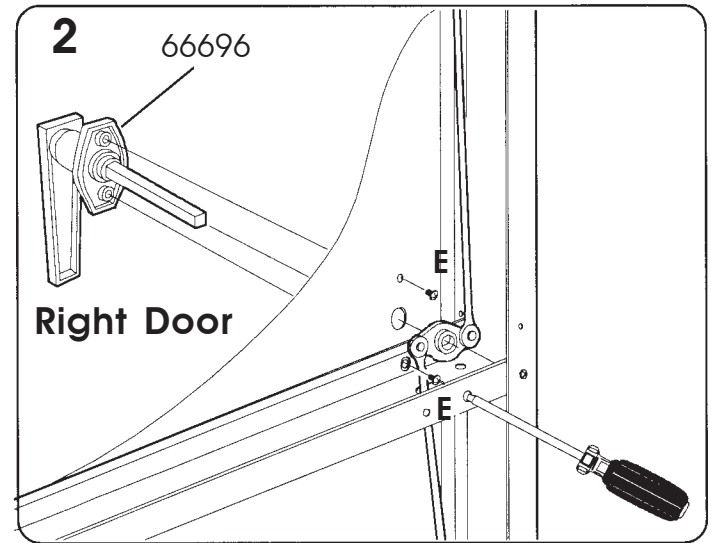


Finish attaching Door Skins.

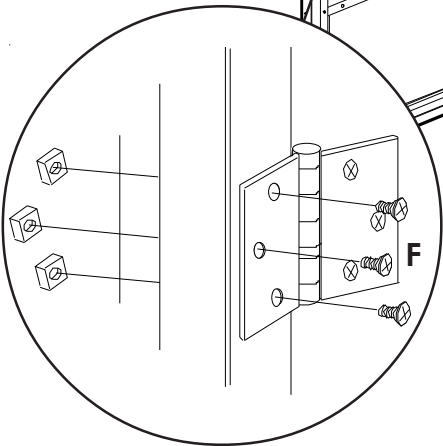
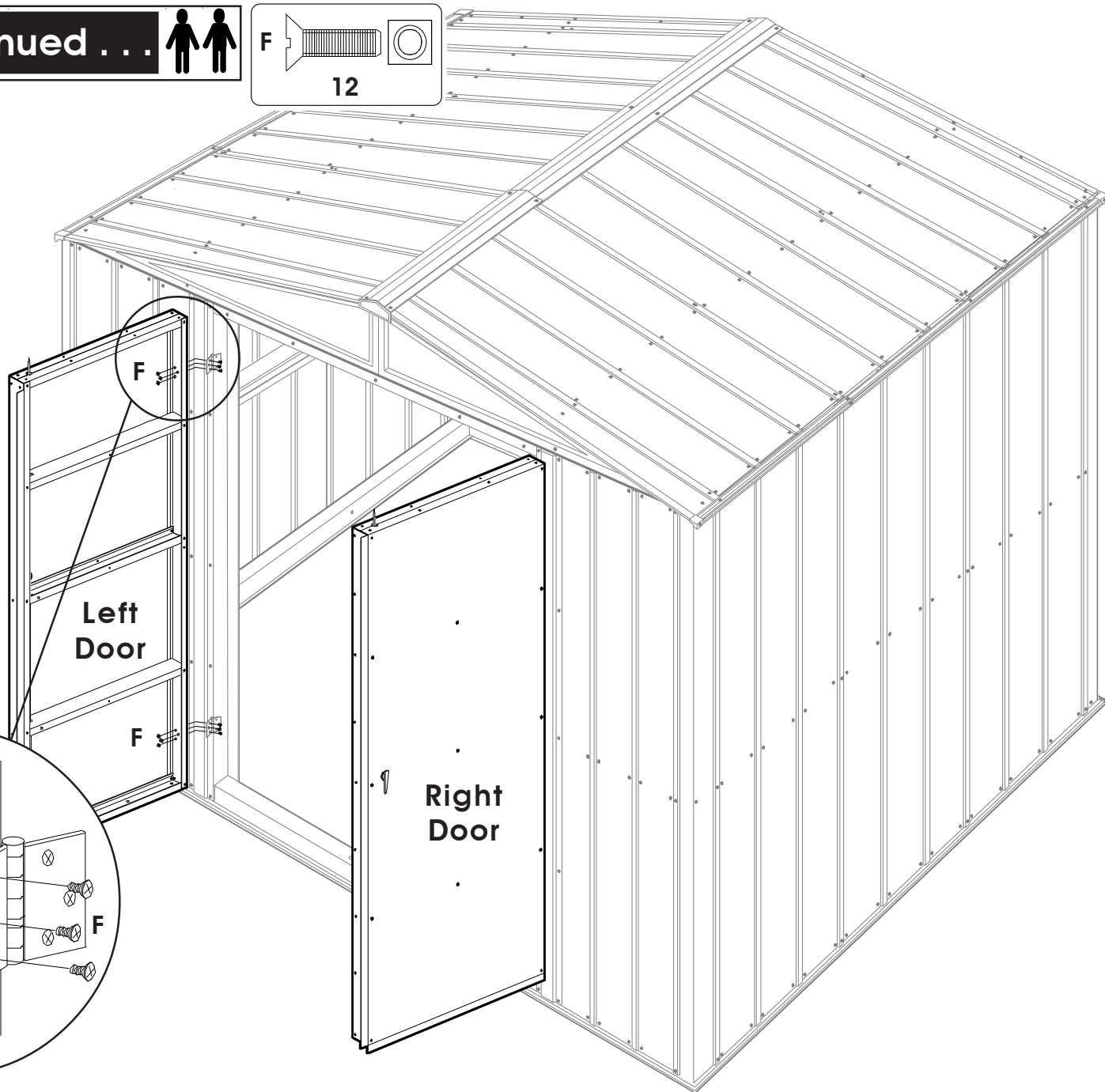
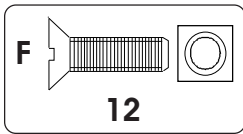
1



Attach both Right & Left Door Handles (66696 & 66697) as marked on bag.



Doors Continued . . .



Care & Maintenance

Finish: For long lasting finish, periodically clean and wax the exterior surface. Touch up scratches as soon as you notice them on your building. Immediately clean the area with a wire brush; wash it and apply touch up paint per manufacturer's recommendation.

Roof: Keep roof clean of leaves and snow with long handled, soft bristled broom. Heavy amounts of snow on roof can damage the building making it unsafe to enter.

Doors: Keep doors closed to prevent wind damage.

Fasteners: Regularly check you building for loose screws, bolts, nuts, etc. and retighten them as necessary.

Moisture: With changing temperatures, condensation will accumulate inside the building.

Other Tips: A noncorrosive caulking is helpful to seal the building.



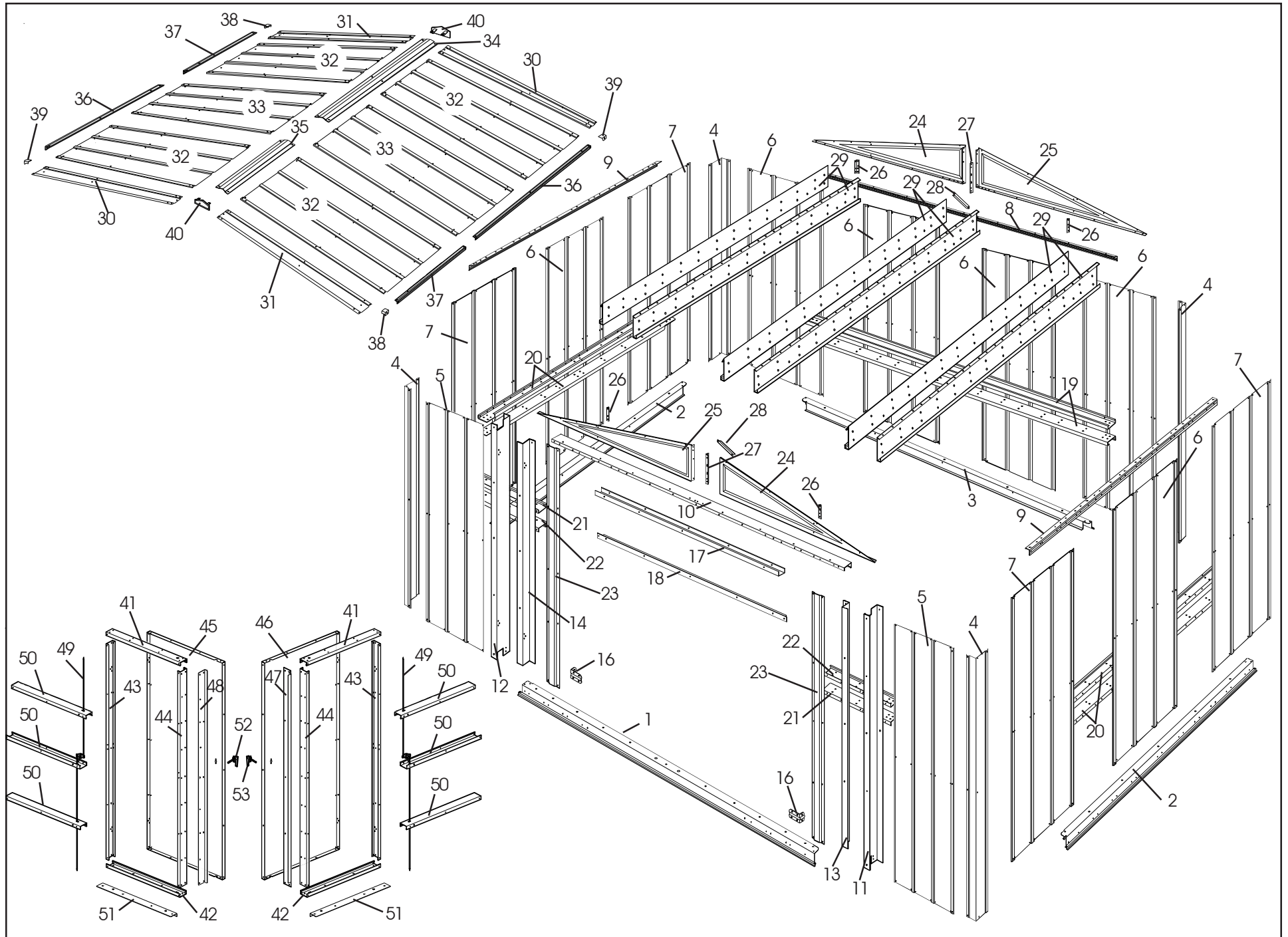
**Do Not store swimming pool chemicals in your building.
Combustibles and corrosives must be stored in air tight contain-
ers.**



Arrow Group Industries

1101 North Fourth Street
Breese, Illinois 62230





Parts List HS108

Dia. No.	Part Name	Qty	Part No.	Carton No.	Dia. No.	Part Name	Qty	Part No.	Carton No.
1	Front Floor Frame	1	10082	2	33	Roof Panel - Center	2	10070	1
2	Side Floor Frame	2	10081	2	34	Ridge Cap	1	8840	1
3	Rear Floor Frame	1	10083	2	35	Ridge Cap	1	8486	1
4	Wall Panel - Corner	4	10065	1	36	Roof Trim	2	8836	1
5	Wall Panel - Front	2	10063	1	37	Roof Trim	2	8485	1
6	Wall Panel	6	10064	1	38	Trim Cap - Right	2	66183R	2
7	Wall Panel - Side	4	10068	1	39	Trim Cap - Left	2	66183L	2
8	Rear Wall Angle	1	10071	2	40	Peak Cap - Arrow	2	67468	2
9	Side Wall Angle	2	10062	2	41	Door Cap Upper	2	10099	2
10	Header Beam	1	10078	2	42	Door Cap Lower	2	10098	2
11	Column - Right	1	10084	2	43	Door Channel Hinge	2	10096	2
12	Column - Left	1	10085	2	44	Door Channel Latch	2	10097	2
13	Door Jamb Trim - Right	1	10076	1	45	Right Door Skin	1	10090	1
14	Door Jamb Trim - Left	1	10077	1	46	Left Door Skin	1	10091	1
15	Hinge	4	66695	2	47	Door Stop	1	10095	2
16	Support Bracket	2	6228	2	48	Astragal	1	10094	1
17	Header Support	1	10075	2	49	Locking Bar	2	66694	2
18	Header Trim	1	10074	1	50	Horizontal Door Channel	6	10100	2
19	Mid Wall Channel - Rear	2	10079	2	51	Door Sweep	2	10093	2
20	Mid Wall Channel - Side	4	10080	2	52	Door Handle - Right	1	66696	2
21	Mid Wall Channel - Front	2	10072	2	53	Door Handle - Left	1	66697	2
22	Mid Wall Channel - Front	2	10073	2		Washers (40 per sheet)	14s	66646	2
23	Door Trim	2	10086	1		#10 x 1/2 Tap Screw	464	66611	2
24	Gable - Right	2	6000	1		#10 - 32 Machine Nut	299	65106	2
25	Gable - Left	2	6001	1		#10 - 32 x 7/16 Machine Screw	275	65943	2
26	Roof Beam Bracket	4	5971	2		#10 x 1 Tap Screw	51	66692	2
27	Gable Brace	2	6635	2		#10 x 1/2 Tap Screw - Painted	26	66691	2
28	Roof Brace	2	10092	2		#10 - 32 Flt Hd Machine Screw	24	66693	2
29	Roof Beam	6	10059	2		#8 - 32 x 1/4 Machine Screw	4	66013	2
30	Roof Panel - Right	2	10066	1		Spacers	26	66699	2
31	Roof Panel - Left	2	10067	1		Screw Caps	145	66698	2
32	Roof Panel	4	10069	1		Weather Stripping Tape	1	67293	2

**If you find any parts missing
during construction call:
1-800-851-1085**

or write:

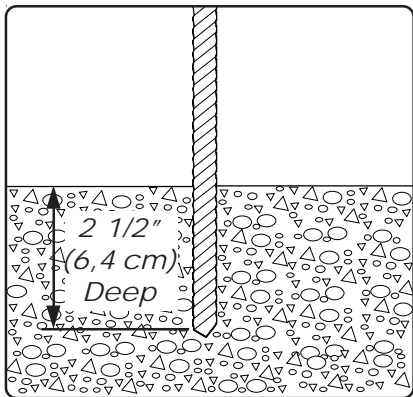
**Arrow Group Industries
1101 North Fourth Street
Breese, Illinois 62230**

*Please include your Model Number, Part Number, and Part Name
Keep this Assembly Manual for further reference.*

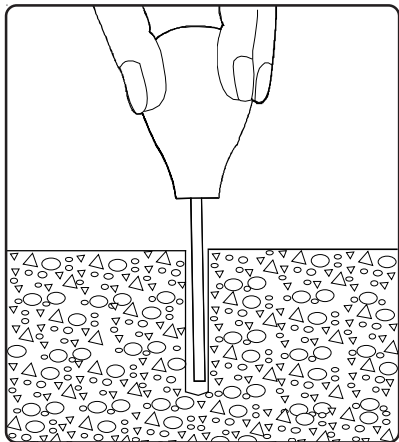
Hilti Concrete Anchor Kit For Homestead Storage Building

These Hilti Anchoring Bolts are the only bolts approved by Miami-Dade County, Florida to secure the Homestead Storage Building to a concrete slab. To meet Miami-Dade County, Florida approval these Hilti Bolts must be used. Use of any other anchor bolts is not approved by Miami-Dade County.

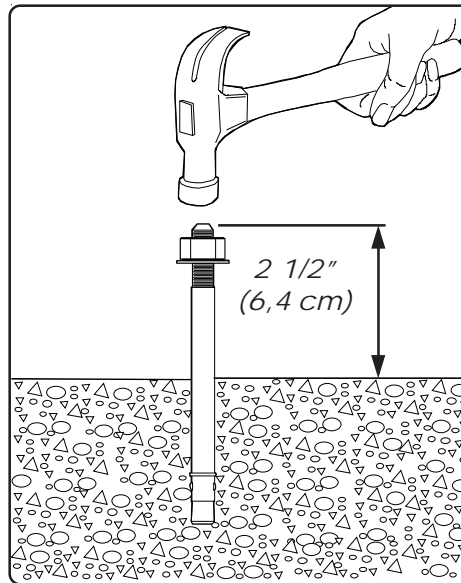
1. A Concrete Slab Foundation must be constructed as described in the Homestead Manual on Page 3.
2. Anchor Bolt locations must be determined as described in the Homestead Manual on Page 12.
3. Drill 3/8" (9,5mm) holes 2 1/2" (6,4cm) deep.



4. Clean holes

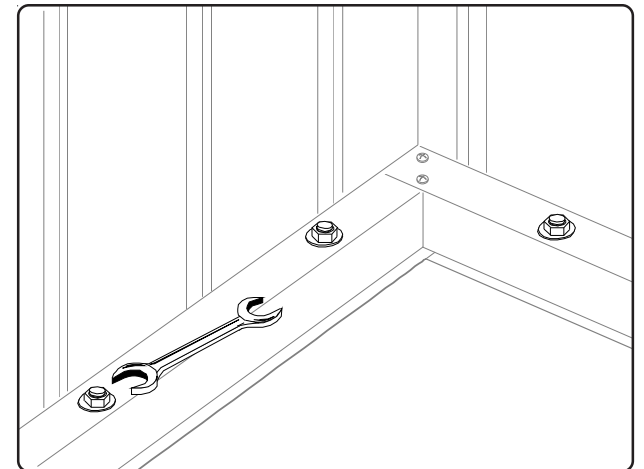


5. Drive the Hilti Kwik Bolt 2 1/2" (6,4cm) into the holes so that 2 1/2" (6,4cm) is above the top surface of concrete.



6. Assemble the Storage Building as described in the Homestead Manual. **DO NOT fasten down Floor Frames until Building is assembled.**

7. Anchor down the Storage Building as described in the Homestead Manual. Tighten 2 or 3 turns from the finger tight position to achieve proper anchor setting.



Homestead 108

Arrow Group Industries

1101 North Fourth Street
Breese, Illinois 62230

