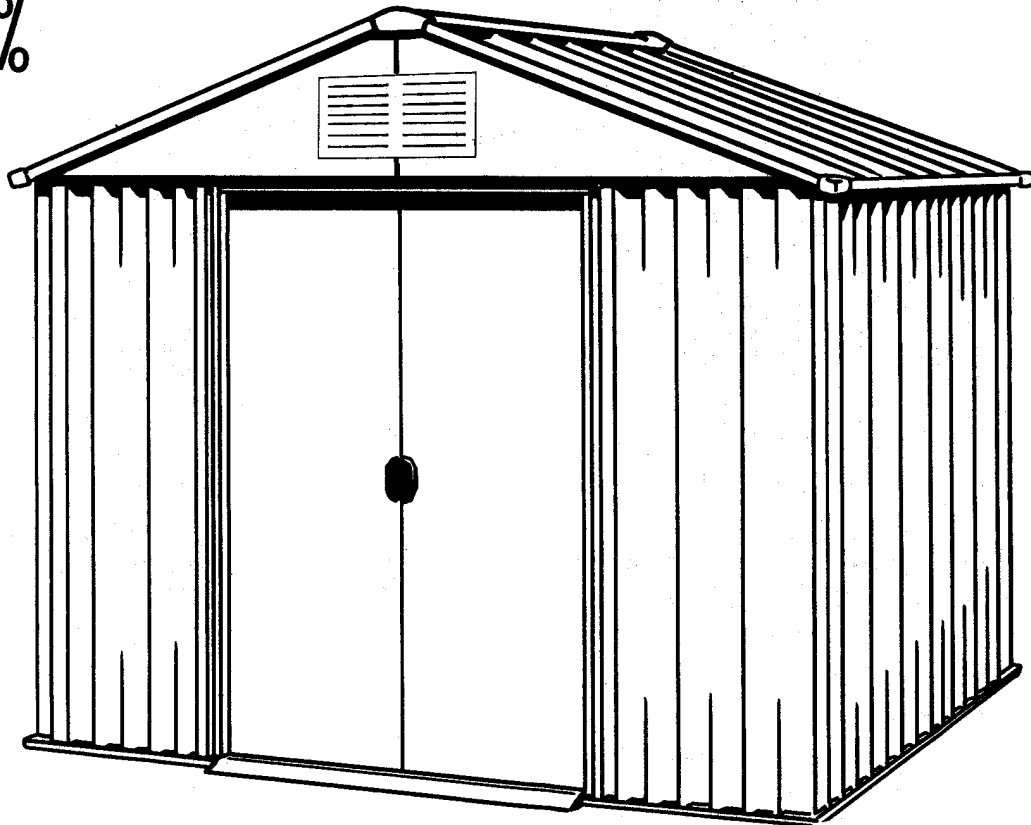


OWNER'S MANUAL

FOR MODELS

307H154 (HH105) - 307H185 (HH106) - 307H216 (HH107)
307H247 (HH108) - 307H278 (HH109) - 307H340 (HH1011)



EASY TO INSTALL

Garden and Storage Buildings Manufactured by Spacemaker Limited

CONTENTS

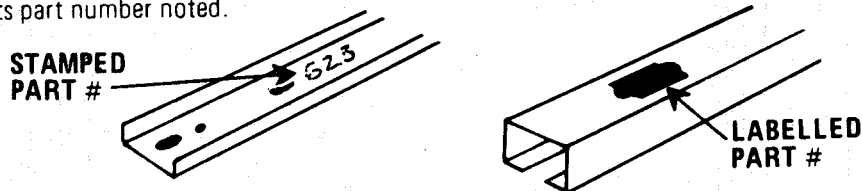
- Pre-construction instructions
- Assembling the building
- Anchoring the frame
- Parts List and ordering information.

PROCEED WITH CONFIDENCE

It might look complicated when you first unpack your building - - - but it really isn't. Simply follow the illustrated instructions and your building will go up quickly and accurately.

ASSEMBLY INSTRUCTIONS –

- **Before you start** - - - read through instructions carefully!
- **Get a friendly neighbour to help you** - - - you'll find a helping hand will speed the job and make assembly easier.
- **Selecting your site** - - - choose an area that's firm and level yet allows drainage away from site. **WARNING!** - - - **DO NOT INSTALL YOUR BUILDING IN AREAS SUBJECTED TO HIGH WINDS OR ERECT ON A WINDY DAY. ANY BUILDING LEFT PARTLY CONSTRUCTED MAY BE SERIOUSLY DAMAGED IF LEFT IN THIS STATE.**
- **Sort and separate all parts and hardware** - - - checking with your instructions and the illustrated parts check lists Pages 4 & 5 - - - to be sure you have all parts and know where they belong in the building. Each part is numbered and illustrated, the quantity required and its part number noted.

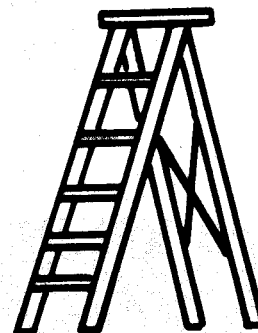
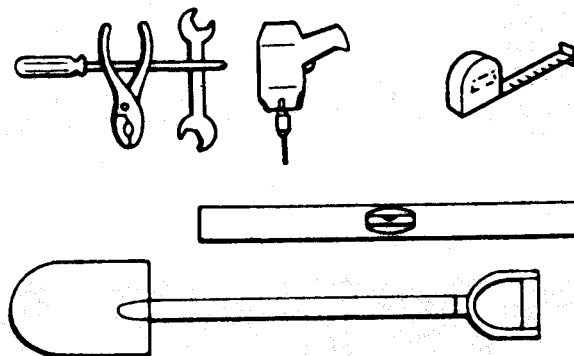


- **Follow step by step instructions carefully** - - - complete each step before going on to the next one.
- **Retain this manual after assembly is completed** - - - it contains a complete parts list.

*** FOR CANADA ONLY – REPLACEMENT PARTS OR ANY QUESTION RE YOUR BUILDING SHOULD BE REFERRED DIRECTLY TO THE FACTORY. DO NOT CONTACT YOUR DEALER. HE IS NOT EQUIPPED TO SERVICE YOUR REQUESTS AS PROMPTLY AS THE CUSTOMER SERVICE DEPARTMENT AT THE FACTORY.**

TOOLS REQUIRED –

- Phillips № 2 screwdrivers (magnetized head recommended)
- Pair of Pliers.
- Wrenches for 10mm (3/8") nuts.
- Step Ladder 1.52m (5 ft.)
- Steel Tape Measure 4.88m (16 ft.)
- Carpenter's Level
- Spade or Shovel
- Electric Drill



* Used for leveling and anchoring building.

LAWN BUILDING CARE

- **Care free maintenance** – Your building has been designed to give you years of care free service. All parts have been precision engineered for perfect fit. It is manufactured from heavily galvanized steel with exterior parts pre-enameled on both sides at the steel mill. Periodically clean and wax the exterior. This will enhance the appearance and prolong the usefulness of your building for many years.
- **IMPORTANT** – This Building is designed to withstand normal wind loads when installed according to instructions. Spacemaker Ltd. cannot be held responsible for any consequences due to buildings that are not installed per instructions or for damage due to weather conditions or acts of God.

* FOR CANADA ONLY -

REPLACEMENT PARTS OR ANY QUESTION RE YOUR BUILDING SHOULD BE REFERRED DIRECTLY TO THE FACTORY. DO NOT CONTACT YOUR DEALER. HE IS NOT EQUIPPED TO SERVICE YOUR REQUESTS AS PROMPTLY AS THE CUSTOMER SERVICE DEPARTMENT AT THE FACTORY.

PARTS LIST

PART NAME	MODEL 307H154		MODEL 307H185		MODEL 307H216		MODEL 307H247		MODEL 307H278		MODEL 307H340	
	Part No.	Qty. Req.	Part No.	Qty. Req.	Part No.	Qty. Req.	Part No.	Qty. Req.	Part No.	Qty. Req.	Part No.	Qty. Req.
REAR BASE RAIL	104H	2	104H	2	104H	2	104H	2	104H	2	104H	2
SIDE BASE RAIL	53H	2	63H	2	73H	4	53H 73H	2/2	53H	4	53H 73H	2/4
FRONT BASE RAIL	102H	2	102H	2	102H	2	102H	2	102H	2	102H	2
ENTRY RAMP	1010H	1	1010H	1	1010H	1	1010H	1	1010H	1	1010H	1
CORNER PANEL	*	4	*	4	*	4	*	4	*	4	*	4
REAR TOP RAIL	106H	2	106H	2	106H	2	106H	2	106H	2	106H	2
REAR TOP RAIL SPLICE BAR	SP3	1	SP3	1	SP3	1	SP3	1	SP3	1	SP3	1
SIDE TOP RAIL	527M	2	627M	2	727M	4	527M 727M	2/2	527M	4	527M 727M	2/4
WALL PANEL	*	7	*	7	*	9	*	9	*	11	*	13
HALF WALL PANEL (SIDE ONLY)	—	—	*	2	—	—	—	—	—	—	—	—
MIDWALL BRACE (REAR)	1040H	2	1040H	2	1040H	2	1040H	2	1040H	2	1040H	2
MIDWALL BRACE (SIDES)	527M	2	627M	2	727M	4	527M/727M	2/2	527M	4	527M/727M	2/4
DOOR TRACK	106H	2	106H	2	106H	2	106H	2	106H	2	106H	2
DOOR FASCIA	1035H	1	1035H	1	1035H	1	1035H	1	1035H	1	1035H	1
DOOR JAMBS	109H	2	109H	2	109H	2	109H	2	109H	2	109H or 109H	2
FRONT MIDWALL BRACE	1028H	2	1028H	2	1028H	2	1028H	2	1028H	2	1028H	2
LEFT GABLE	1042HH	2	1042HH	2	1042HH	2	1042HH	2	1042HH	2	1042HH	2
RIGHT GABLE	1043HH	2	1043HH	2	1043HH	2	1043HH	2	1043HH	2	1043HH	2
MAIN RIDGE BEAMS	516H	2	616H	2	H716H	4	H516H/H716H	2/2	H516H	4	H516H/H716H	2/4
SECONDARY RIDGE BEAM	516H	2	616H	2	H716H	4	H516H/H716H	4/4	H516H	8	H516H/H716H	4/8
LEFT ROOF END PANEL	1018HH	2	1018HH	2	1018HH	2	1018HH	2	1018HH	2	1018HH	2
RIGHT ROOF END PANEL	1044HH	2	1044HH	2	1044HH	2	1044HH	2	1044HH	2	1044HH	2
ROOF PANEL	1019HH	4	1019HH	4	1019HH	6	1019HH	6	1019HH	8	1019HH	10
HALF ROOF PANEL	—	—	1047HH	2	—	—	—	—	—	—	—	—
RIDGE COVER	520H	1	620H	1	720H	2	820H	2	520H/920H	1/1	720H/920H	2/1
ROOF EDGE TRIM	541H	2	641H	2	741H	4	541H/741H	2/2	541H	4	541H/741H	2/4
DOOR PANEL	*	2	*	2	*	2	*	2	*	2	*	2
MAIN RIDGE BEAM BRACKET	33	4	33	4	33	4	33	4	33	4	33	4
SECONDARY RIDGE BEAM BRACKET	33	8	33	8	33	8	33	8	33	8	33	8
GABLE SUPPORT BRACE	1051	2	1051	2	1051	2	1051	2	1051	2	1051	2
ROLL OF TAPE 31mm x 3.05m (1-1/4" x 10")	50H	1	50H	1	50H	1	50H	1	50H	1	50H	2
RIDGE COVER END CAP	49H	2	49H	2	49H	2	49H	2	49H	2	49H	2
VERTICAL DOOR BRACE	61H	2	61H	2	61H	2	61H	2	61H	2	61H or 61H	2
DOOR BRACES (TOP & BOTTOM)	1030	4	1030	4	1030	4	1030	4	1030	4	1030	4
HORIZONTAL DOOR BRACE	628H	2	628H	2	628H	2	628H	2	628H	2	628H	2
SMALL WASHERS (TREE OF 64) - ROOF	C61	2	C61	3	C61	3	C61	3	C61	3	C61	4
DOOR HANDLES	*	2	*	2	*	2	*	2	*	2	*	2
LOUVRE	*	2	*	2	*	2	*	2	*	2	*	2
HARDWARE PACKAGE (SEE PAGE 6) CONTAINS NUTS, BOLTS AND SCREWS PLUS ROOF CORNER CAP DOOR GLIDES	H87	1	H87	1	H109	1	HH109	1	HH109	1	HH1011	1
BOLT AND NUT FOR DOOR HANDLE	60H	4	60H	4	60H	4	60H	4	60H	4	60H	4
OWNERS MANUAL	A67	4	A67	4	A67	4	A67	4	A67	4	A67	4
	G65	4	G65	4	G65	4	G65	4	G65	4	G65	4
	MH307	1	MH307	1	MH307	1	MH307	1	MH307	1	MH307	1

* NOTE - WHEN ORDERING WALL PANELS, HALF WALL PANELS, CORNER PANELS, DOOR PANELS, DOOR HANDLES OR LOUVRES FOR REPLACEMENT ----- YOU MUST PROVIDE THE PART NUMBER SHOWN ON THE LABEL FOUND ON THE INSIDE OF THE DOOR PANEL.

"THE PARTS REPLACEMENT ORDER FROM IS FOR CANADA ONLY.

PLEASE REFER TO YOUR LOCAL RETAILER FOR PRICES AND SUPPLY OF PARTS OUTSIDE CANADA."

PARTS REPLACEMENT ORDER FORM

FREIGHT CHARGES PER SHIPMENT - ♦ PARTS - SHIPPED COLLECT
ALL OTHER PARTS - SHIPPED PREPAID

PLEASE FILL IN MODEL NUMBER

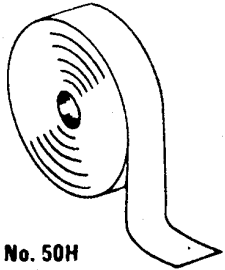
<p>* MODEL NO. _____ PARTS REQUIRED</p> <table border="1" style="width: 100%;"> <thead> <tr> <th>PART NO.</th> <th>QTY.</th> <th>COLOUR</th> </tr> </thead> <tbody> <tr><td> </td><td> </td><td> </td></tr> <tr><td> </td><td> </td><td> </td></tr> <tr><td> </td><td> </td><td> </td></tr> <tr><td> </td><td> </td><td> </td></tr> <tr><td> </td><td> </td><td> </td></tr> </tbody> </table> <p>FOR PARTS REPLACEMENT PLEASE CONTACT CUSTOMER SERVICE DEPARTMENT. TELEPHONE NO: (416) 279-2632</p>	PART NO.	QTY.	COLOUR																<p>PLEASE PRINT</p> <p>NAME: _____</p> <p>ADDRESS: _____</p> <p>CITY: _____ PROVINCE: _____</p> <p>TELEPHONE: _____ POSTAL CODE _____</p> <p>PURCHASED FROM _____</p> <p>STORE ADDRESS: _____</p> <p>DATE PURCHASED: _____</p>
PART NO.	QTY.	COLOUR																	

MAIL TO: SPACEMAKER LIMITED, 3069 WOLFEDALE ROAD, MISSISSAUGA, ONT. L5C 1V9

SMALL PARTS



NUT, BOLT AND SCREWPACK (1)
(SEE PAGE 6)



No. 50H
TAPE



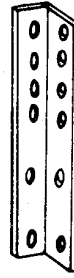
*
DOOR HANDLE



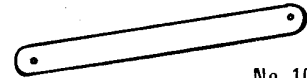
No. G65
DOOR HANDLE BOLT AND NUT



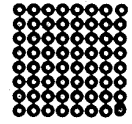
LOUVRE



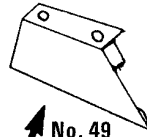
No. 33
MAIN AND SECONDARY RIDGE
BEAM BRACKET



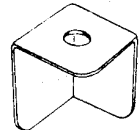
No. 1051
GABLE SUPPORT
BRACE



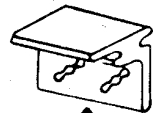
No. C61
SMALL WASHER TREE - ROOF



No. 49
RIDGE COVER END CAP



No. 60H
ROOF CORNER CAP



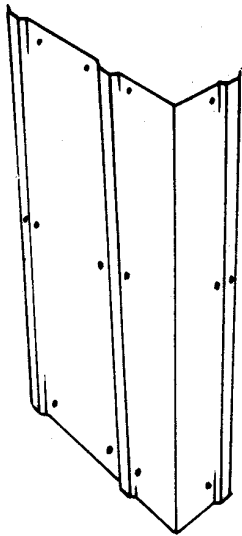
NO. A67
DOOR GLIDE

LARGER PARTS

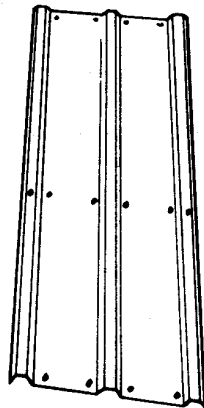
SEE PAGE 3 FOR PART NO'S AND QUANTITY

ILLUSTRATED PARTS

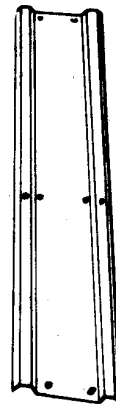
NOTE: DRAWINGS ARE NOT TO SCALE, BUT ARE DESIGNED TO SHOW CROSS SECTIONS AND GENERAL CONFIGURATION TO AID IDENTIFICATION.



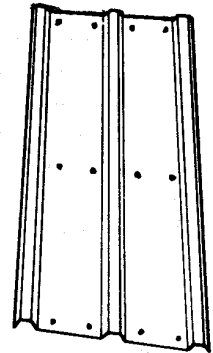
CORNER PANEL



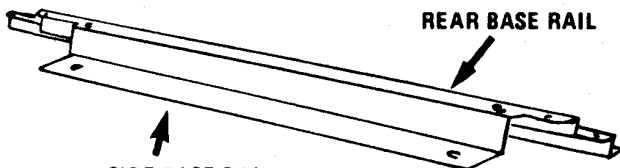
WALL PANEL



HALF WALL PANEL

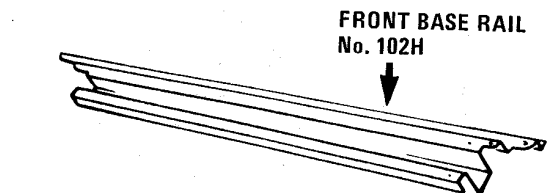


ROOF PANEL



SIDE BASE RAIL

REAR BASE RAIL



FRONT BASE RAIL
No. 102H



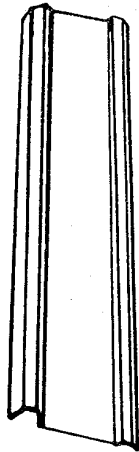
ENTRY RAMP
No. 1010H

LARGER PARTS

SEE PAGE 3 FOR PART NO'S AND QUANTITY

ILLUSTRATED PARTS

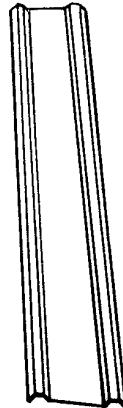
NOTE: DRAWINGS ARE NOT TO SCALE, BUT ARE DESIGNED TO SHOW CROSS SECTIONS AND GENERAL CONFIGURATION TO AID IDENTIFICATION.



ROOF END PANEL
(LEFT) No. 1018HH



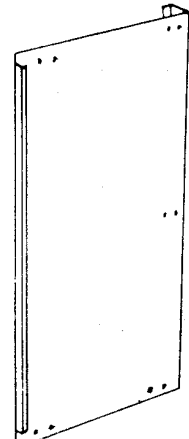
ROOF END PANEL
(RIGHT) No. 1044HH



HALF ROOF PANEL

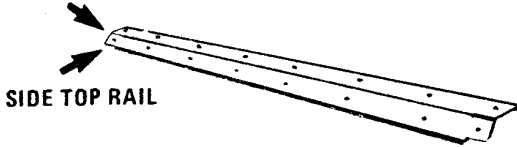


DOOR JAMB
No. 109H or
G109H

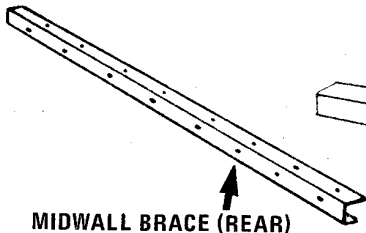


DOOR PANEL

MIDWALL BRACE (SIDE)

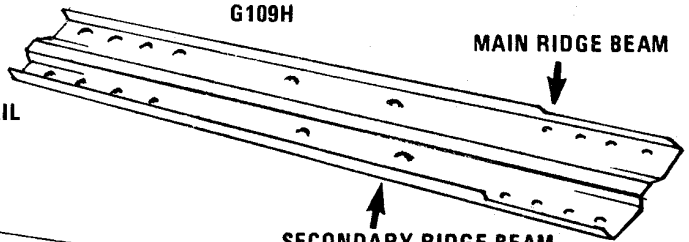


SIDE TOP RAIL



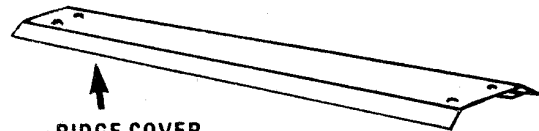
MIDWALL BRACE (REAR)
No. 1040H

REAR TOP RAIL
SPLICE BAR
No. SP3

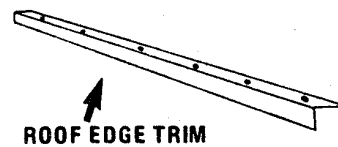


MAIN RIDGE BEAM

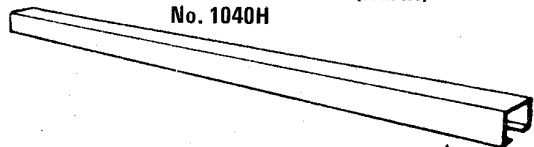
SECONDARY RIDGE BEAM



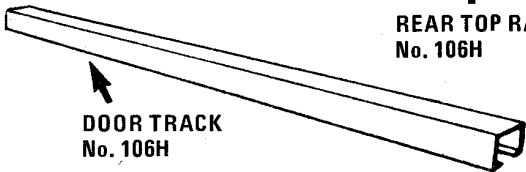
RIDGE COVER



ROOF EDGE TRIM

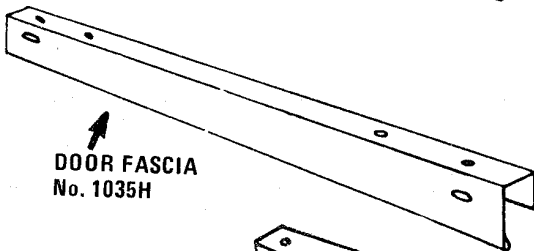


REAR TOP RAIL
No. 106H



DOOR TRACK
No. 106H

DOOR BRACE
TOP & BOTTOM
No. 1030

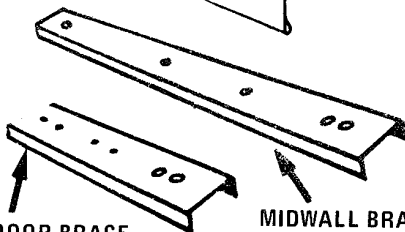


DOOR FASCIA
No. 1035H

VERTICAL
DOOR BRACE
No. 61H or 61G

LEFT GABLE
No. 1042HH

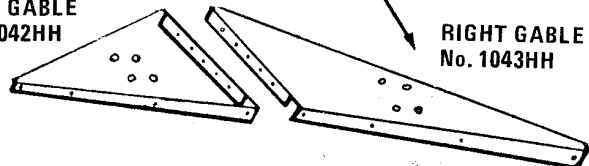
RIGHT GABLE
No. 1043HH



HORIZONTAL DOOR BRACE
No. 628H

MIDWALL BRACE (FRONT)
No. 1028H

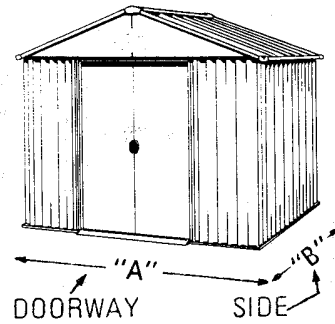
INSIDE VIEW



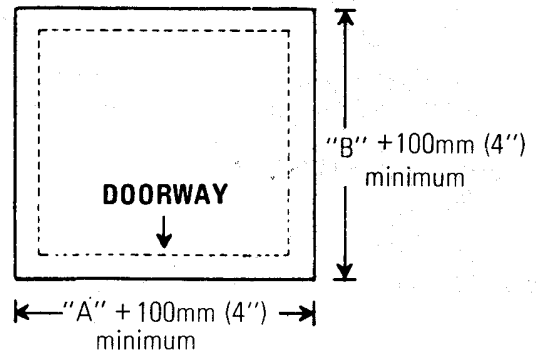
IMPORTANT

OUTSIDE MEASUREMENTS OF BUILDING AT BASE (approx.)

MODEL	"A"		"B"	
	cm	inches	cm	inches
307H154	297.0cm	117"	146.1cm	57 1/2"
307H185	297.0cm	117"	177.2cm	69 3/4"
307H216	297.0cm	117"	208.3cm	82"
307H247	297.0cm	117"	239.4cm	94 1/4"
307H278	297.0cm	117"	270.5cm	106 1/2"
307H340	297.0cm	117"	332.7cm	131"



SOLID FOUNDATION



NOTE -
YOUR SOLID FOUNDATION BASE MUST BE AT LEAST 100mm (4") LARGER THAN THE OUTSIDE MEASUREMENTS OF BUILDING.

1

PREPARATION OF BUILDING SITE

This building must be constructed on a **SOLID BASE FOUNDATION**. We recommend a poured concrete pad or large size concrete patio stone squares for a suitable floor and base. Whichever you select - - **make sure** your foundation area is firm and level and will allow drainage away from the site. Make your solid base foundation at least 100mm (4") larger than your building and check the type of anchoring procedure and hardware required . . . **See Page 17 NOW!**

NOTE: For a concrete pad base, prepare a level bed for a firm footing layer of crushed stone. The concrete pad should then be poured to a thickness of 100mm (4") to 125mm (5"). When completed allow to dry thoroughly for at least 48 hours.

YOUR BUILDING MUST BE ANCHORED

Your Building must be firmly anchored to your concrete pad or large concrete patio stone squares ... To help protect against damage in high winds.

FURTHER ANCHORING INSTRUCTIONS FOLLOW AFTER ALL WALL AND ROOF PANELS HAVE BEEN INSTALLED.

NOTE: Anchor screws, washers and shields are **NOT** supplied as part of the hardware package and may be purchased at your local store. You will require No. 10 concrete anchor screws 38mm (1 1/2") long with washers and expansion shields **PLUS** a Carbide Bit to suit.

QUANTITY REQUIRED

307H154 20	307H185 20	307H216 20
307H278 20	307H340 24	

ANCHOR SCREWS WASHER & SHIELD



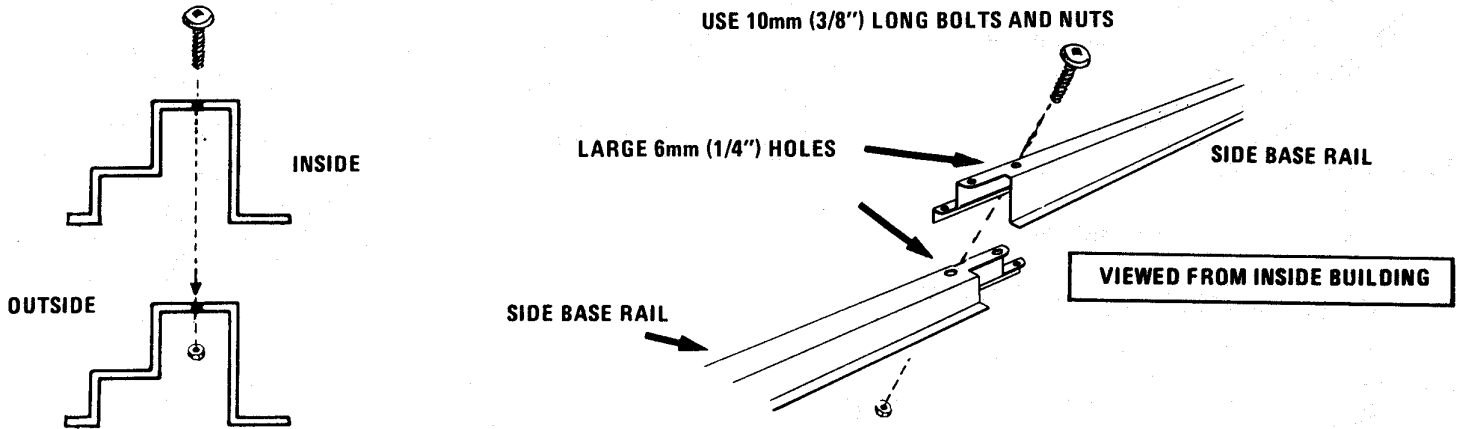
HARDWARE PACKAGE →	PKG. No.H87	PKG. No. H109	PKG. No.HH109	PKG. No.HH1011
FOR MODEL No. →	307H154 307H185	307H216	307H247 307H278	307H340
SELF TAPPING SCREWS 10mm (3/8") LONG	300	354	364	430
10mm (3/8") LONG BOLTS AND NUTS	165	209	243	315
6mm (1/4") LONG BOLTS AND NUTS	10	10	10	10
ROOF CORNERS No. 60H	4	4	4	4
DOOR GLIDES No. A67	4	4	4	4
13mm (1/2") LONG BLACK BOLTS AND NUTS - No. G65	4	4	4	4

2

REAR AND SIDE BASE RAILS

SEE PAGES 3, 4, and 5 FOR PROFILE, CORRECT PART No. AND QUANTITY REQUIRED FOR YOUR BUILDING

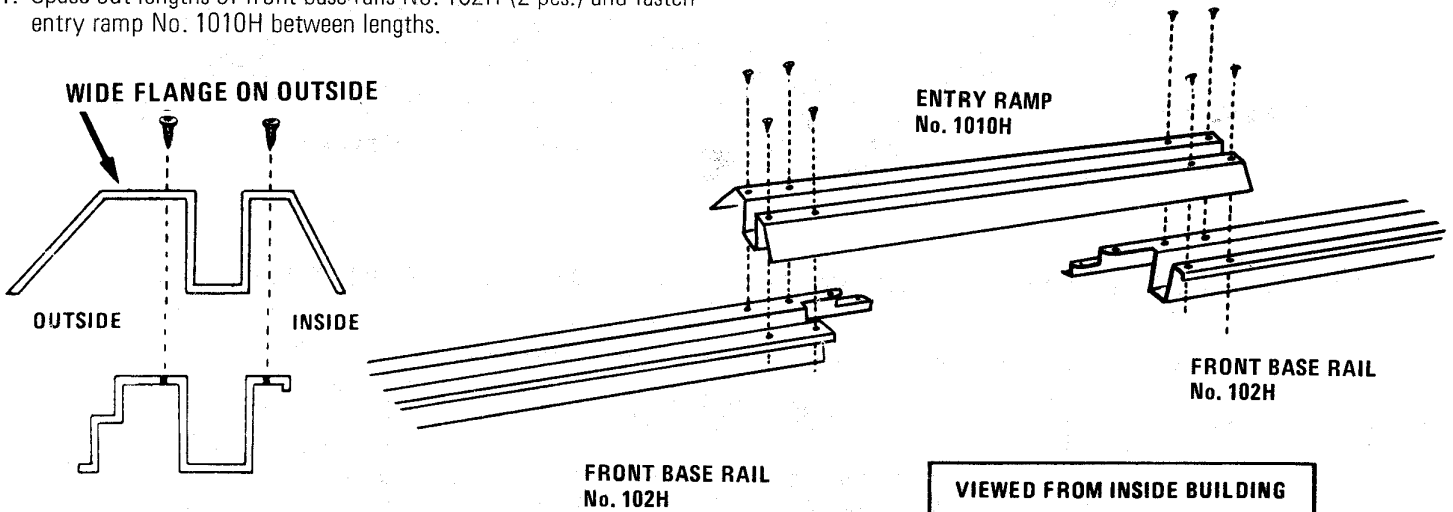
1. Assemble lengths of side base rails (2 pcs.) together with a lap joint. Align large holes. Repeat for other side.
NOTE - for Models 307H154 and 307H185 these parts are in one full length piece. For Model 307H247 assemble 53H(1) and 73H(1). For Model 307H340 assemble 53H(1) and 73H(2).
2. Repeat above procedure to assemble lengths of rear base rails No. 104H (2 pcs.).



3

FRONT BASE RAILS AND ENTRY RAMP

1. Space out lengths of front base rails No. 102H (2 pcs.) and fasten entry ramp No. 1010H between lengths.



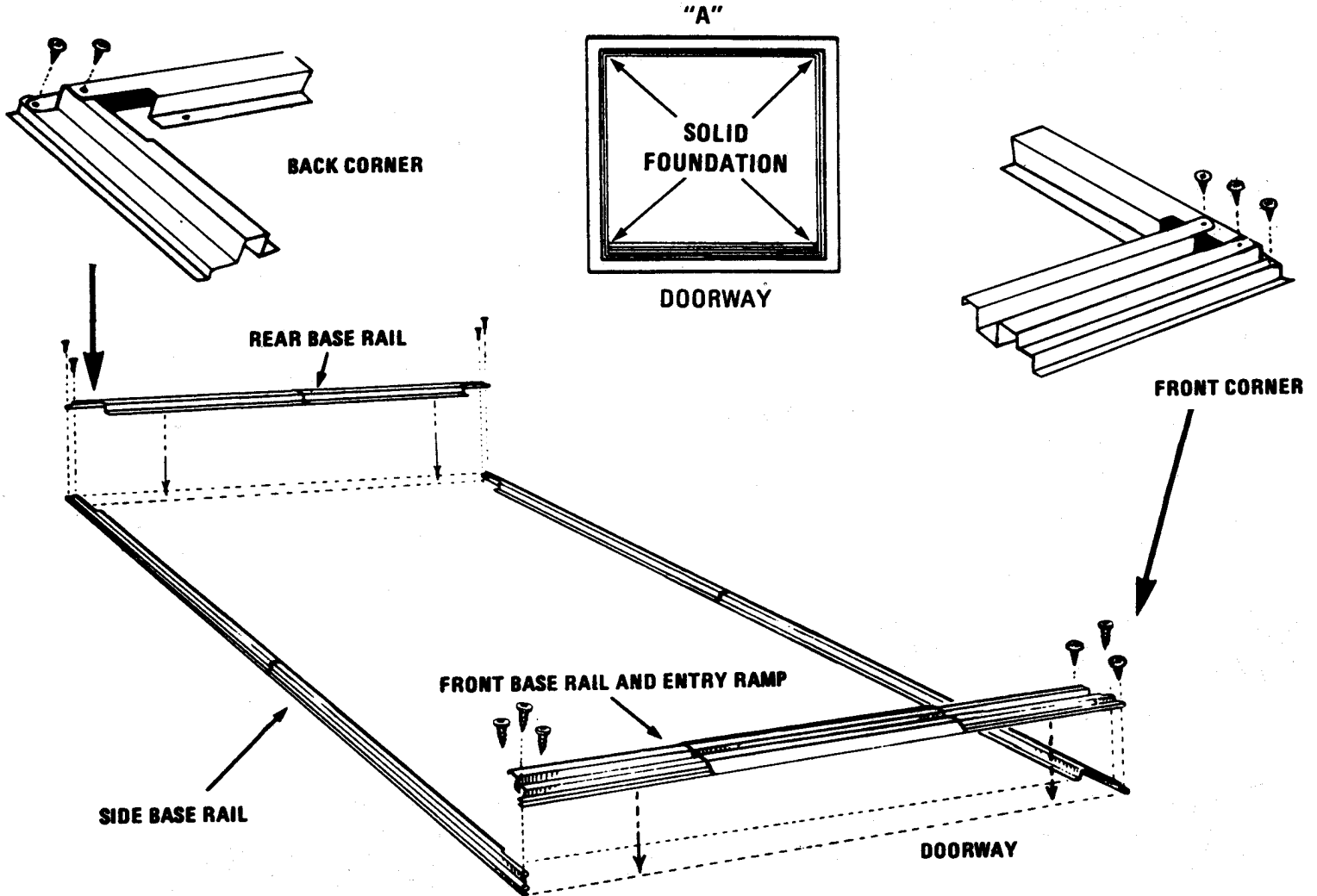
4

BASE FRAME ASSEMBLY

1. Assemble all 4 base rails into a base frame in proper position on your foundation. Use 10 mm (3/8") self tapping screws on front and on back corners.
2. Check base frame for squareness by measuring diagonal corners. Your measurements should be equal. See "A"

USE SELF TAPPING SCREWS ... 10 mm (3/8") LONG

* AFTER ASSEMBLY CHECK BASE DIMENSIONS (SEE PAGE 6) TO VERIFY CORRECT POSITION OF RAILS.



* AFTER ASSEMBLY CHECK BASE DIMENSIONS (SEE PAGE 6) TO VERIFY CORRECT POSITION OF RAILS.

WARNING!

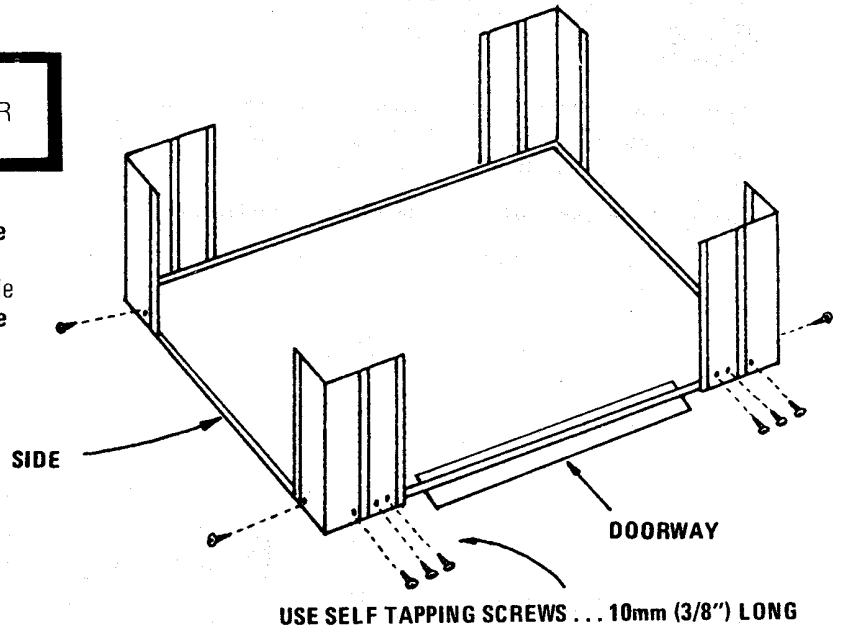
DO NOT ERECT ON A WINDY DAY. THE LARGE WALL AND ROOF PANELS PROVIDE A LARGE SURFACE AND THE WIND COULD EASILY CARRY THEM AWAY. ANY BUILDING LEFT PARTLY CONSTRUCTED MAY BE SERIOUSLY DAMAGED IF LEFT IN THIS STATE.

5

CORNER PANELS

SEE PAGES 3, 4 and 5 FOR PROFILE, CORRECT PART No. AND QUANTITY REQUIRED FOR YOUR BUILDING

1. Position **rear** corner panels and fasten to rear and side base rails . . . **with narrow flange of panel along the side of the building.**
2. Position **front** corner panels and fasten to front and side base rails . . . **with narrow flange of panel along the side of building.**



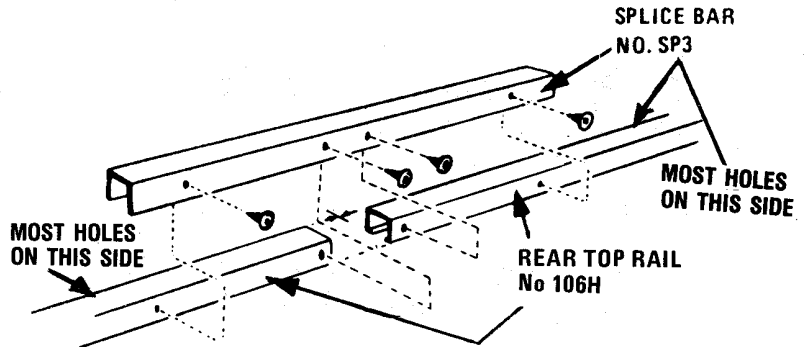
6

SPLICED ASSEMBLY OF REAR TOP RAIL

1. Assemble lengths of rear top rail No. 106H (2 pcs.) together with splice bar No. SP3.

USE SELF TAPPING SCREWS . . . 10mm (3/8") LONG

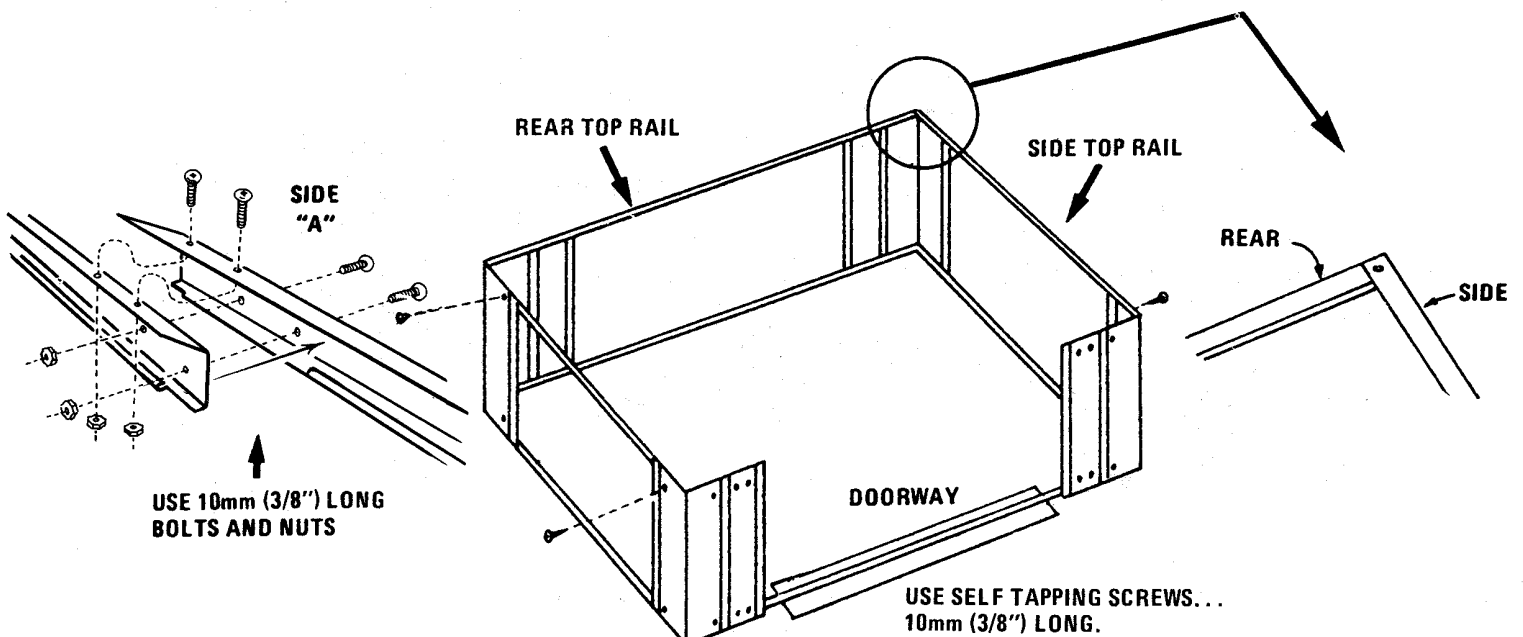
2. Fasten rear top rail to top of corner panels **With the most holes facing the outside.**



7

SIDE TOP RAILS

1. Assemble lengths of side top rails (2 pcs.) together with a lap joint . . . see "A". Fasten to top of corner panels. Repeat for other side. **NOTE - for models 307H154 and 307H185 these parts are in one full length piece. For Model 307H247 assemble 527M(1) and 727M(1). For model 307H340 assemble 527M(1) and 727M(2).**



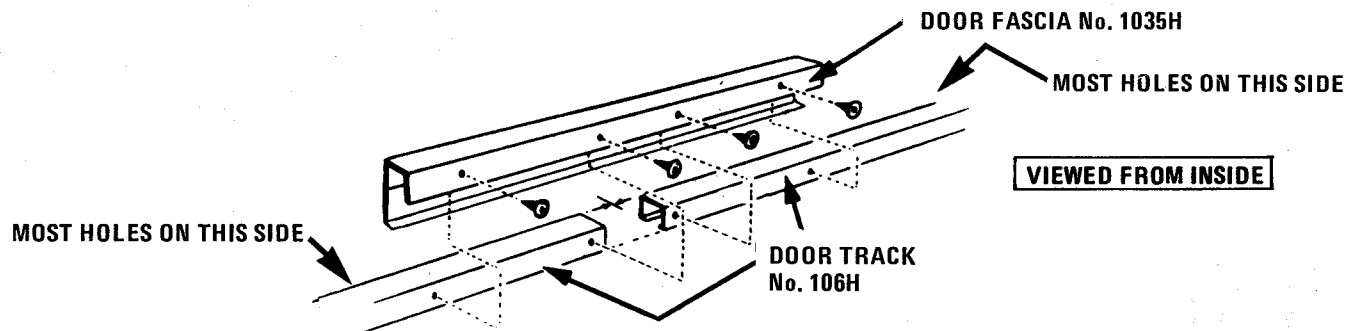
8

SPLICED ASSEMBLY OF DOOR TRACK AND DOOR FASCIA

SEE PAGES 3, 4 and 5 FOR PROFILE, CORRECT PART No. AND QUANTITY REQUIRED FOR YOUR BUILDING.

1. Assemble lengths of Door Track No. 106H (2 pcs.) together with door fascia No. 1035H.

USE SELF TAPPING SCREWS . . . 10mm (3/8") LONG

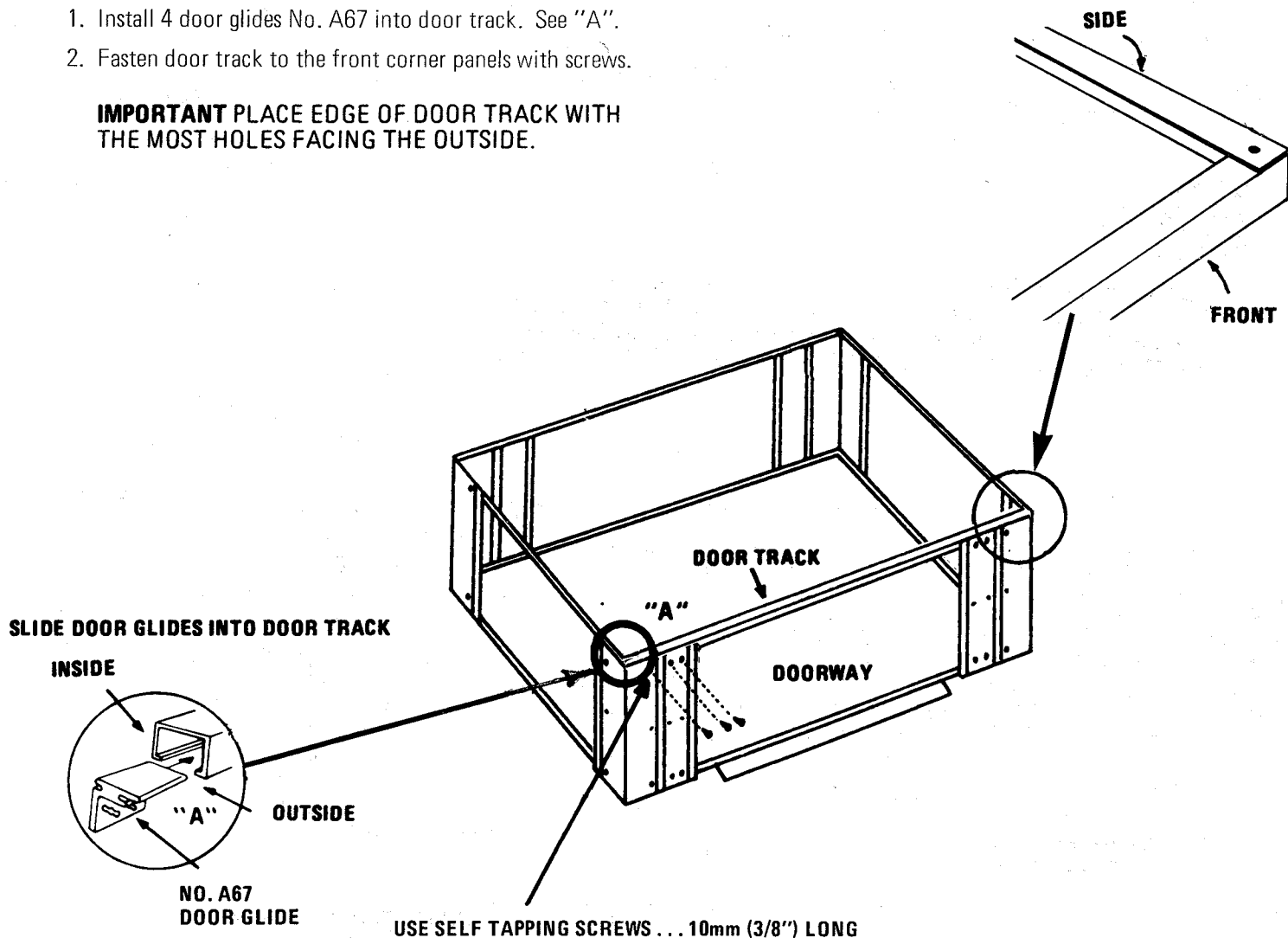


9

DOOR TRACK INSTALLATION

1. Install 4 door glides No. A67 into door track. See "A".
2. Fasten door track to the front corner panels with screws.

IMPORTANT PLACE EDGE OF DOOR TRACK WITH THE MOST HOLES FACING THE OUTSIDE.

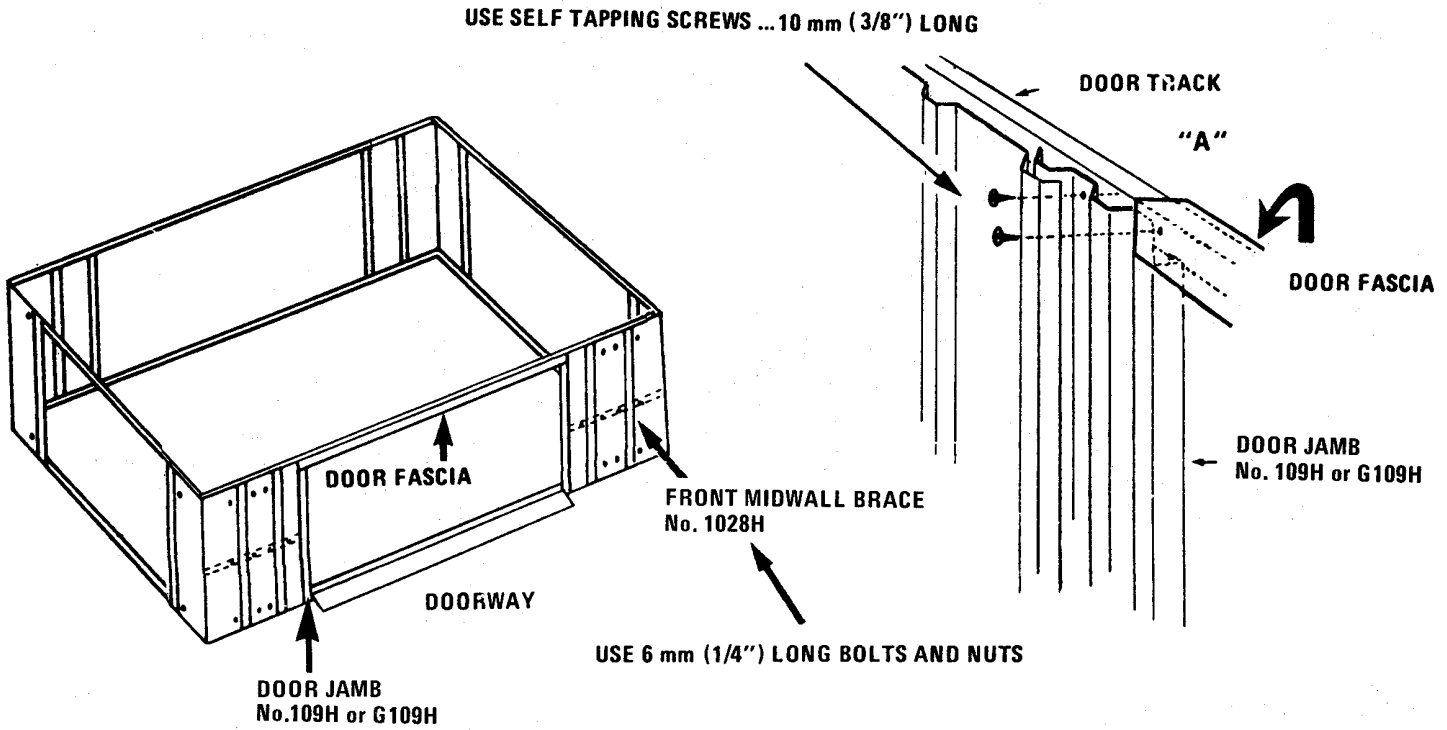


10

DOOR JAMBS, AND FRONT MIDWALL BRACE

1. Remove corner panel screws as necessary and install door jambs No. 109H or G 109H on each side of entry ramp--- See "A"--- sliding door jamb **under** the wall panel and **under** door fascia. Fasten at base rail--- then fasten through the door fascia and door jamb into the side of door track. Replace corner panel screws. At the midwall height on the overlap ridge joint, fasten with 10mm (3/8") long bolt and nut.
2. Install front and mid-wall brace No. 1028H on each side of doorway. **Use short bolts 6mm (1/4") long.**

SEE PAGES 3, 4 and 5 FOR PROFILE, CORRECT PART No. AND QUANTITY REQUIRED FOR YOUR BUILDING

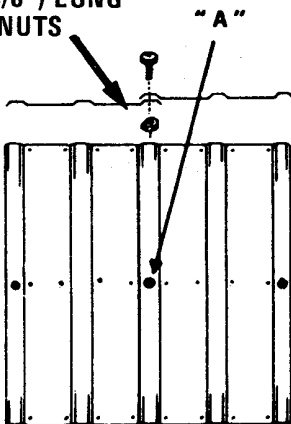


11

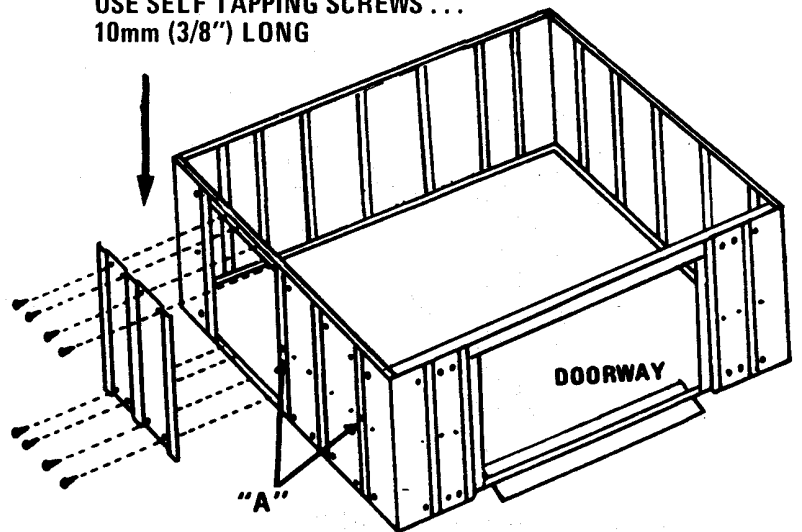
SIDE AND REAR WALL PANELS

1. Install wall panels on each side wall... fasten to base rails and top rails. **NOTE - model 307H185 and model 307H247 has a smaller half wall panel along the side walls only.**
2. At the midwall height on the overlap ridge joint of each wall panel . . . fasten with 10mm (3/8") long bolts and nuts. See "A".
3. Repeat above procedure to install rear wall panels.

USE 10mm (3/8") LONG BOLTS AND NUTS



USE SELF TAPPING SCREWS ... 10mm (3/8") LONG



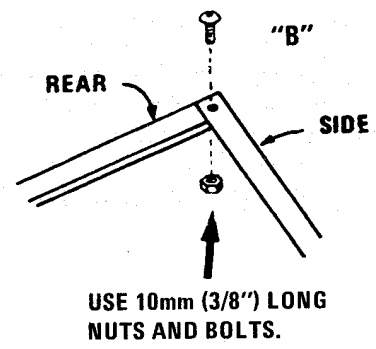
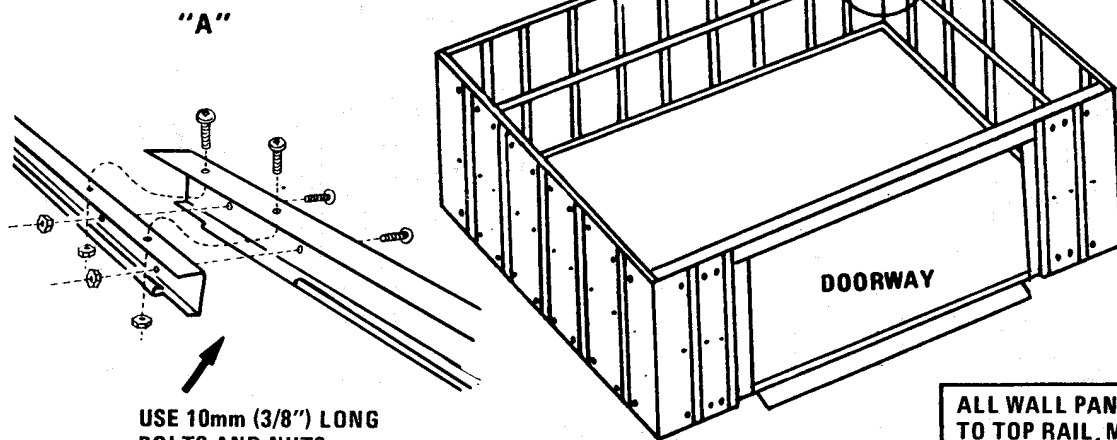
12

SIDE AND REAR MIDWALL BRACES

1. Assemble lengths of side midwall braces (2 pcs.) together with a lap joint. See "A". Fasten midwall brace to wall panels from the outside. Repeat for other side.

NOTE - for models 307H154 and 307H185 these parts are in one full length piece. For model 307H247 assemble 527M(1) and 727M(1). For model 307H340 assemble 527M(1) and 727M(2).

2. Repeat above procedure to assemble and fasten lengths of rear midwall brace No.1040H (2 pcs.). See "B".

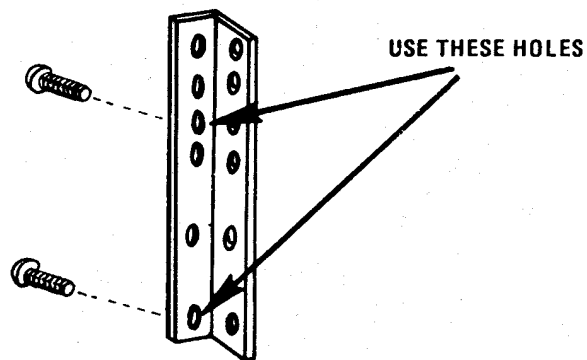


ALL WALL PANELS ARE TO BE ATTACHED TO TOP RAIL, MID-WALL BRACE AND BASE RAIL WITH SCREWS.

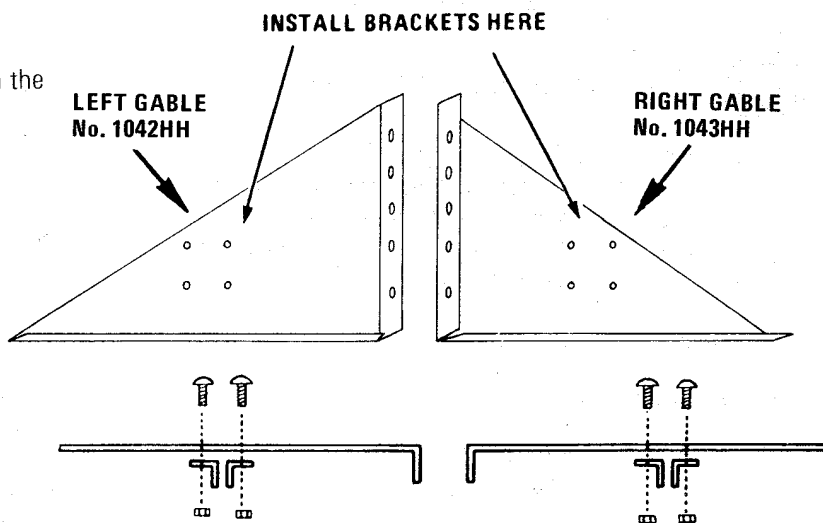
13

FRONT AND REAR GABLES AND SECONDARY RIDGE BEAM BRACKETS

1. Fasten **one pair** secondary ridge beam brackets No. 33 on the **inside** of each of the 4 gables.



**No. 33
SECONDARY RIDGE BEAM BRACKET**

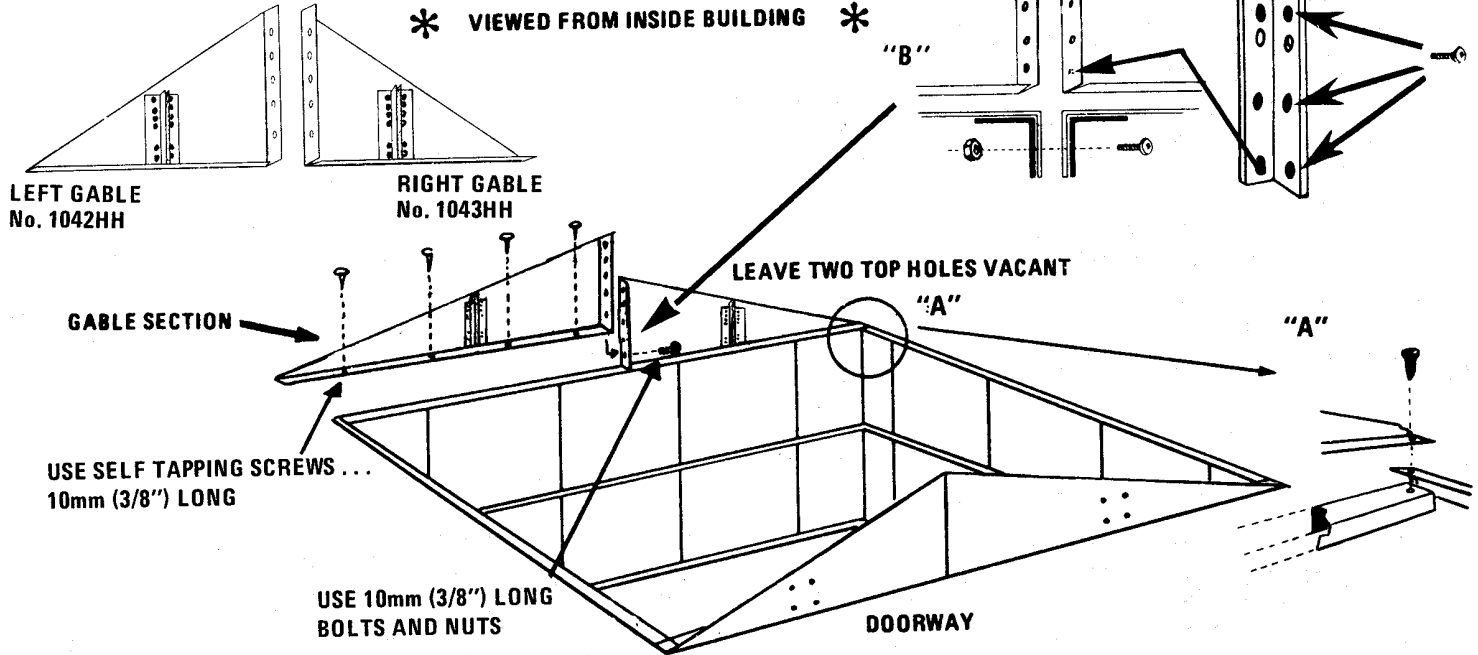


USE 10 mm (3/8 inch) LONG BOLTS AND NUTS

14

GABLE INSTALLATION

1. Place right rear gable in position and fasten to rear top rail with screws. See "A".
2. Install left rear gable as above.
3. Fasten right and left gable together with **one pair** of main ridge beam brackets No. 33 with bolts and nuts in holes indicated. (See "B" and "C").
4. Repeat above for front set of gables.



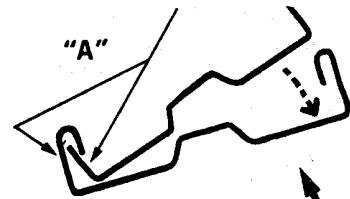
15

MAIN AND SECONDARY RIDGE BEAM ASSEMBLY

1. To make the **main ridge beam** --- select pieces that combine (when overlapping) to make the proper length for your building. See "B", "C" or "D". **NOTE - for models 307H154 and 307H185 these parts are in one full length piece. Model 307H247 assemble H 516H(1) and H 716H(1).**
2. Lay pieces on hard surface. Position one end (with flange cutout --- See "A" and note small holes position) into the second piece (at the end with the full flange --- See "A" and note small holes position). Align holes in beams --- then step on raised edge to snap top beam into place. Tap beams into place to align holes if necessary.
3. Assemble another set in same manner and fasten the two sets together with bolts and nuts as per "B". **NOTE - Model 307H340 uses three pieces in combination see "C".**
4. To make the **secondary ridge beam** ... use the same length combinations to assemble two separate sets ... as per 1, 2 and 3 above. See "B". **NOTE - Model 307H216 uses single pieces in combination ... See "D". NOTE - Models 307H154 and 307H185 use single pieces ... See "E".**

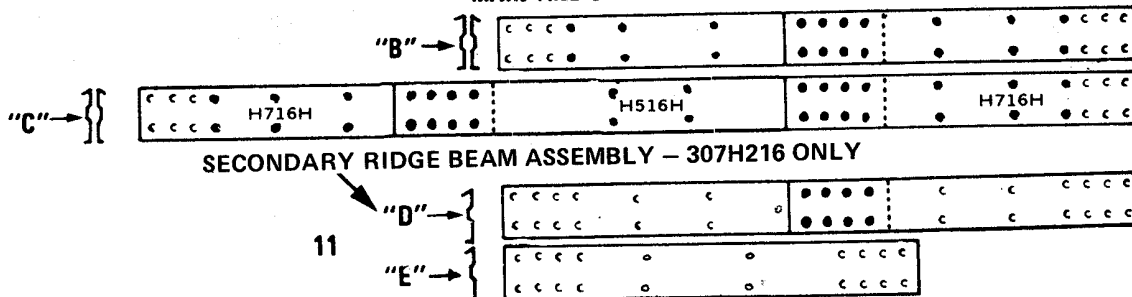
SEE PAGES 3, 4 and 5 FOR PROFILE, CORRECT PART No. AND QUANTITY REQUIRED FOR YOUR BUILDING

NOTE-SMALL HOLES ON BOTH THESE FLANGES.



USE 10mm (3/8") LONG BOLTS AND NUTS

MAIN AND SECONDARY RIDGE BEAM ASSEMBLY



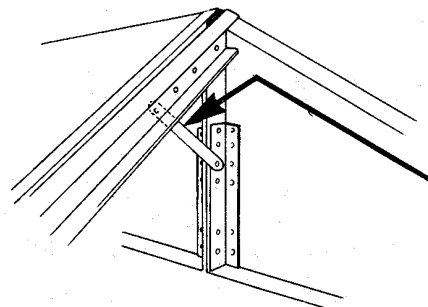
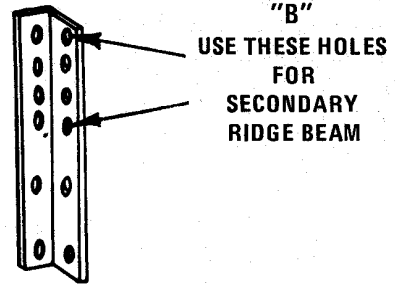
NOTE - USE BOLTS AND NUTS ONLY IN HOLES MARKED WITH BLACK DOT.

16

INSTALLATION OF RIDGE BEAMS & GABLE SUPPORT

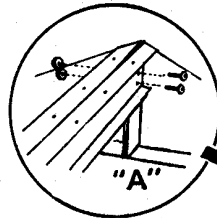
1. Position the main ridge beam section on the gables . . . with the extended lips of the gable section fitting between the 2 pieces. See "A". Fasten with bolts and nuts.
2. For Models 307H154, 307H185 and 307H216 --- fasten one secondary ridge beam section to the **outside** of the brackets on the gables with bolts and nuts. Repeat for other side. See "B".
3. For Models 307H278, 307H247 and 307H340 --- Position the secondary ridge beam section so that the extended lip of the bracket fits between the 2 pieces. Repeat for other side. See "B".
4. Install Gable support brace No.1051 at both front & rear as shown. See "C".

NOTE - HOLES ON TOP LIP OF BEAMS MUST BE ON TOP SURFACE WHEN INSTALLING

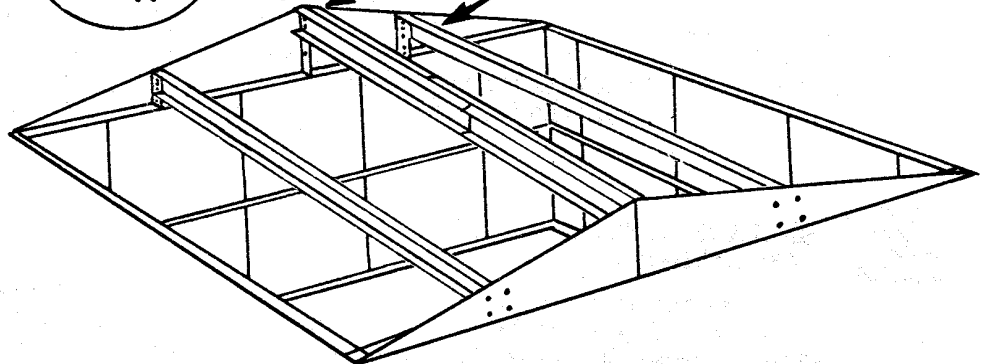


"C"
GABLE SUPPORT
BETWEEN SECTIONS
No.1051

MAIN RIDGE BEAM



USE 10mm (3/8") LONG BOLTS AND NUTS



MODELS		
307H154... 307H185... 307H216		
LEFT	MAIN	RIGHT

MODEL		
307H278...	307H247...	307H340
LEFT	MAIN	RIGHT

17

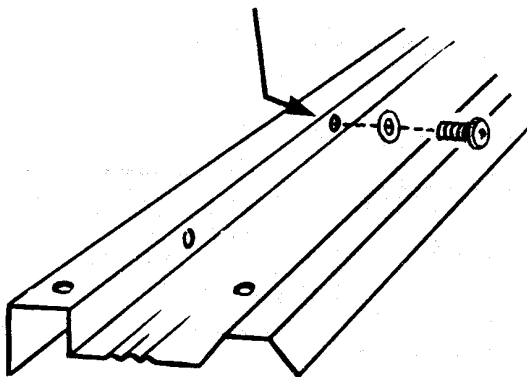
ROOF END PANELS

1. Position roof end panel over gable section . . . line up holes and fasten with bolts and washers through the roof end panel and with nuts on the outside of the gable.
2. Then fasten to ridge beam(s) and side top rails with screws and washers.

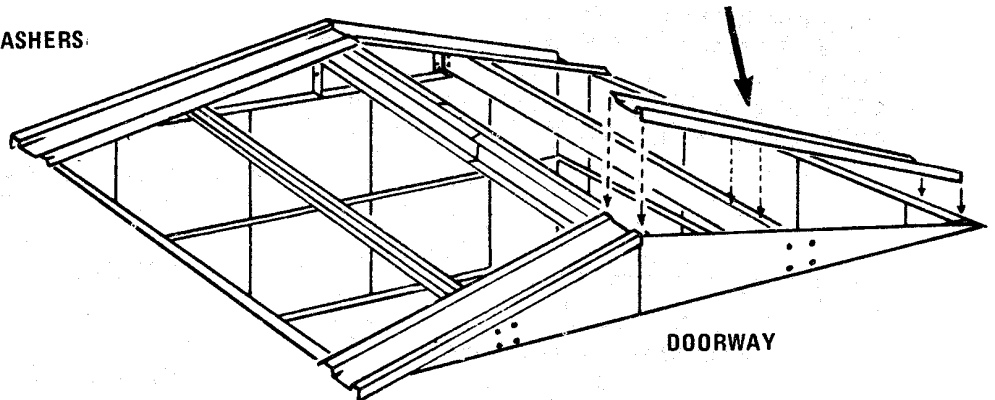


USE SELF TAPPING SCREWS . . . 10mm (3/8") LONG WITH WASHERS AT RIDGE BEAMS AND TOP RAILS

USE 10mm (3/8") LONG BOLTS AND NUTS WITH WASHERS.



ROOF END PANEL
No. 1018HH (left)
No. 1044HH (right)



DOORWAY

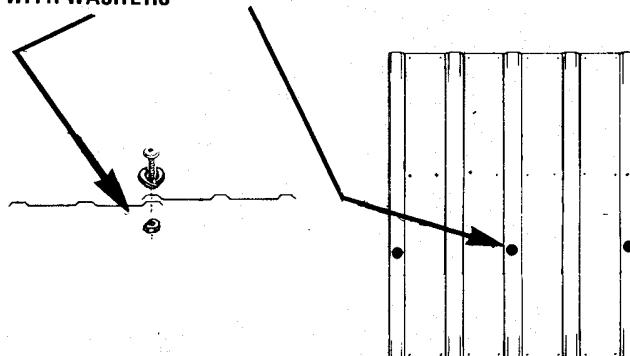
18

ROOF PANELS AND TAPE

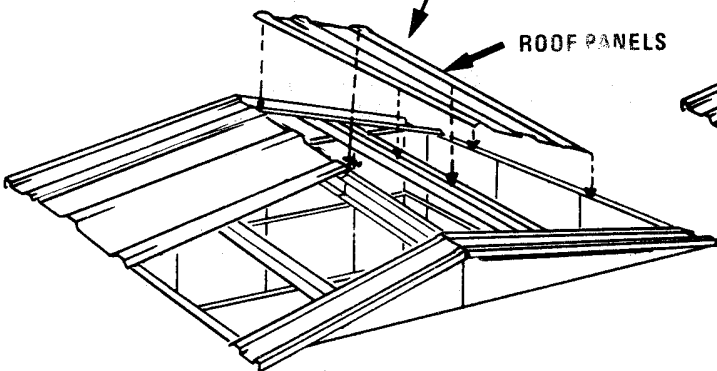
SEE PAGES 3, 4 and 5 FOR PROFILE, CORRECT PART No. AND QUANTITY REQUIRED FOR YOUR BUILDING

1. Install roof panels by overlapping the adjacent panel. Fasten to ridge beam(s) and top rails with screws and washers. **NOTE - Models 307H185 and 307H247 uses smaller half roof panel on each side at the center. IMPORTANT - on the overlap ridge joint of each roof panel, fasten with 10 mm (3/8") long bolts and nuts with washers. See sketch.**
2. Start panels at one end and do both sides. Carefully apply tape (as you progress) between the top of the roof panels on each side of the roof. See "A". **This is a weatherseal and must be applied with care with no air gaps. NOTE - Be sure surface is clean, dry and dust free and apply only when temperature is between 13°C (55°F) and 21°C (70°F). Be sure all edges on all sides are sealed tightly to surface.**

USE 10 mm (3/8") LONG BOLTS AND NUTS WITH WASHERS

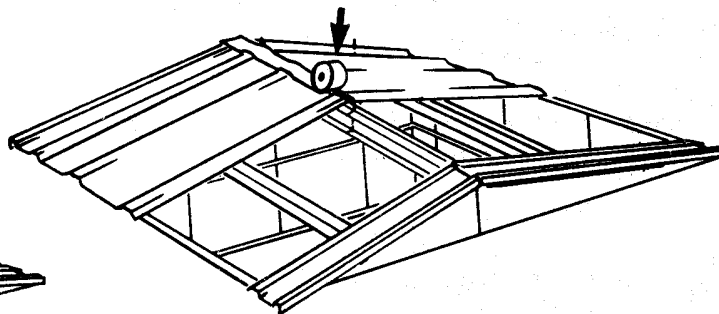


ASSEMBLY SCREW WITH WASHER



ROOF PANELS

"A" TAPE No.50 HALF ON EACH SIDE



PRESS TAPE DOWN FIRMLY AND DO NOT CUT TAPE UNTIL ROOF IS COMPLETE

19

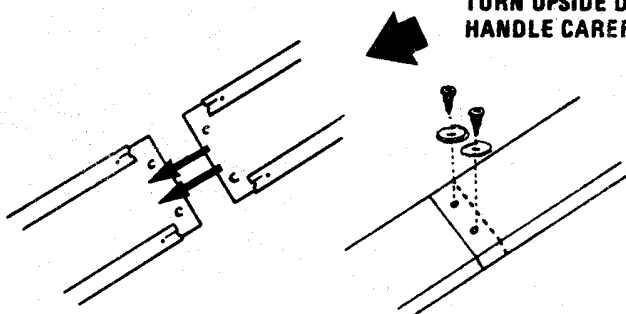
RIDGE COVER AND LOUVER ASSEMBLY

SEE PAGES 3, 4 and 5 FOR PROFILE, CORRECT PART No. AND QUANTITY REQUIRED FOR YOUR BUILDING

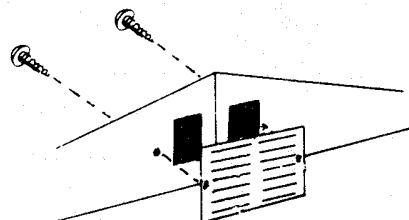
1. Assemble lengths of ridge cover together by inserting one end inside the other. Fasten with screws and washers. **Handle carefully! NOTE - for Models 307H154 and 307H185 these parts are in one full length piece. For Models 307H340 assemble 3 pieces.**
2. Position the louver and fasten with 2 self tapping screws from inside.



TURN UPSIDE DOWN TO ASSEMBLE THEN HANDLE CAREFULLY AFTER ASSEMBLY



USE SELF TAPPING SCREWS ... 10mm (3/8") LONG WITH WASHERS



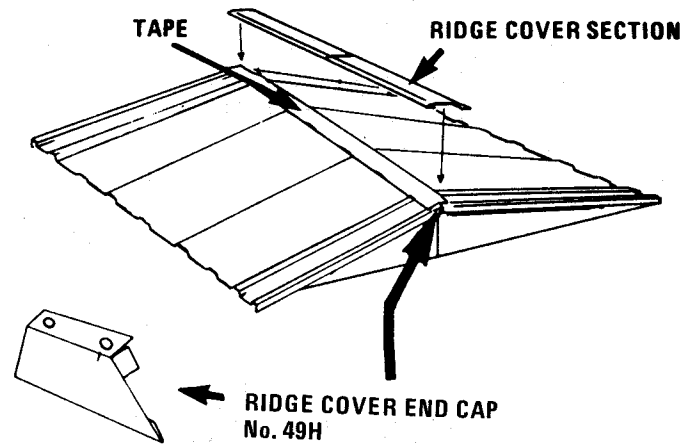
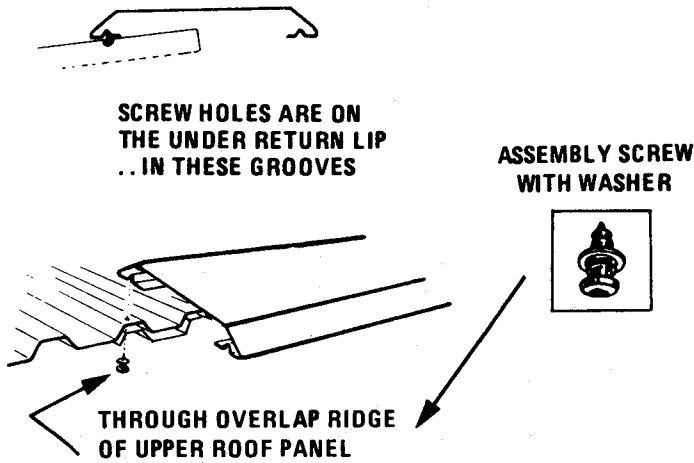
LOUVRE (FRONT AND BACK)

20

RIDGE COVER AND END CAP INSTALLATION

1. **Carefully** position ridge cover section and arrange for a helper outside on a ladder to adjust position and to apply pressure as necessary.
2. From the inside of building start from the gable ends and fasten with screws and washers up through the holes in the overlap ridge of the upper roof panels. The screws go through into the under return lip of the ridge cover.
3. Continue to fasten both sides as you work from the ends to the centre.
4. Clip ridge end caps in place and fasten with screws.

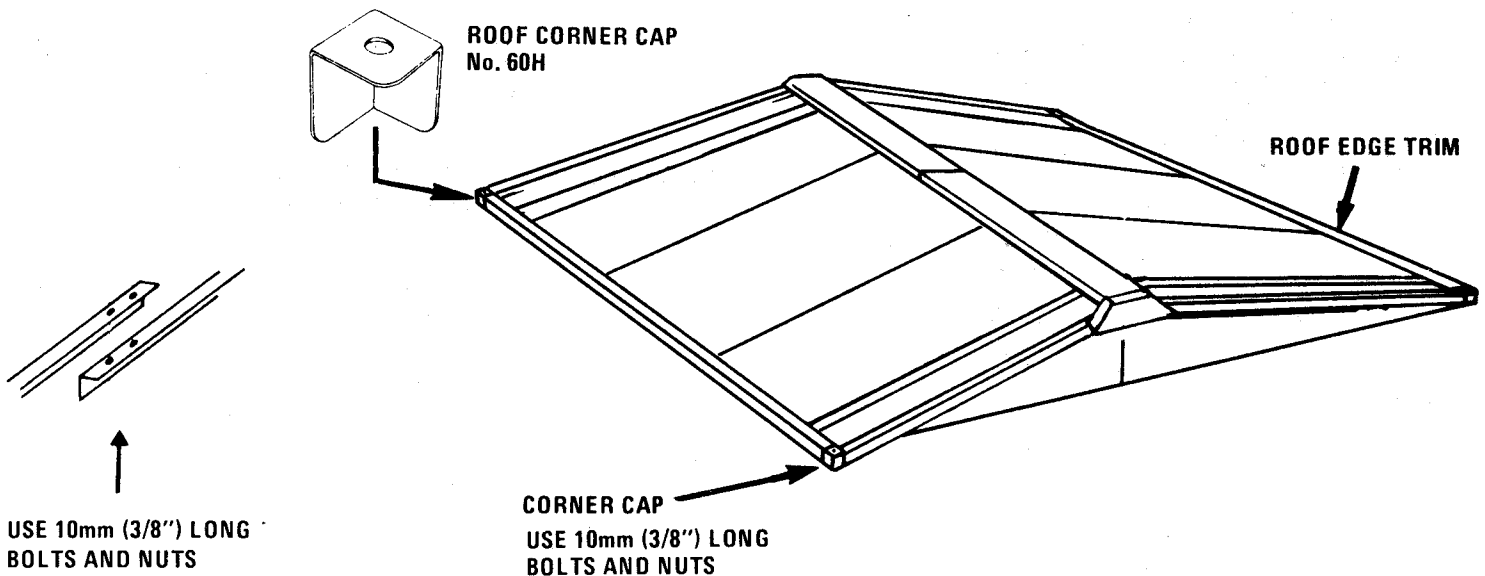
SEE PAGES 3, 4 and 5 FOR PROFILE, CORRECT PART No. AND QUANTITY REQUIRED FOR YOUR BUILDING



21

ROOF EDGE TRIM AND ROOF CORNER CAP

1. Install lengths of roof edge trim (2pcs.) separately in place over edge of roof panels with a lap joint. Fasten with bolts and nuts. **NOTE - for models 307H154 and 307H185 these parts are in one full length piece. For model 307H247 use 541H(1) and 741H(1). For model 307H340 use 541H(1) and 741H(2).**
2. Fasten corner caps (4) No. 60H through roof end panels and roof edge trim with bolts and nuts.



22

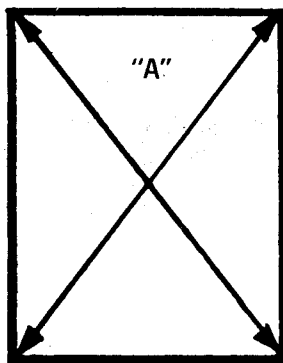
COMPLETE THE ANCHORING OF YOUR BUILDING NOW! YOUR BUILDING MUST BE ANCHORED!

1. Check building position on concrete base and adjust to original planned position.
2. Carefully position base frame in the centre of solid base foundation - - - to allow at least 100mm (4") of solid base outside the frame.
3. Check base frame for squareness by measuring diagonal corners. Your measurements should be equal! See "A"
4. Inside your base frame . . . there are 6mm (1/4") holes in the entry ramp and on the inside flange of the front, side and rear base rails. **These are anchor holes** . . . for installation of anchor screws into the concrete or patio stones. See "B" and "C".
5. When your base frame is square . . . use a black felt pen to mark location of anchor hole centre on the concrete. **Mark for all anchor holes.**
6. With an electric drill and a Carbide Bit (Check size to suit anchor shield) . . . drill proper holes into concrete at each mark.
7. Insert anchor shields into each hole.
8. Fasten all base rails to concrete with anchor screws.

NOTE: Anchor screws, washers and shields are **NOT** supplied as part of the hardware package and may be purchased at your local store. You will require No. 10 concrete anchor screws 38mm (1 1/2") long with washers and expansion shields **PLUS** a Carbide Bit to suit.

QUANTITY REQUIRED

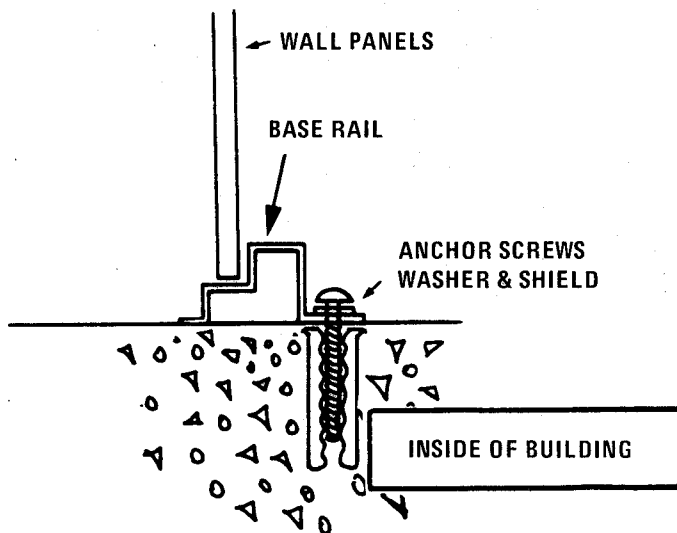
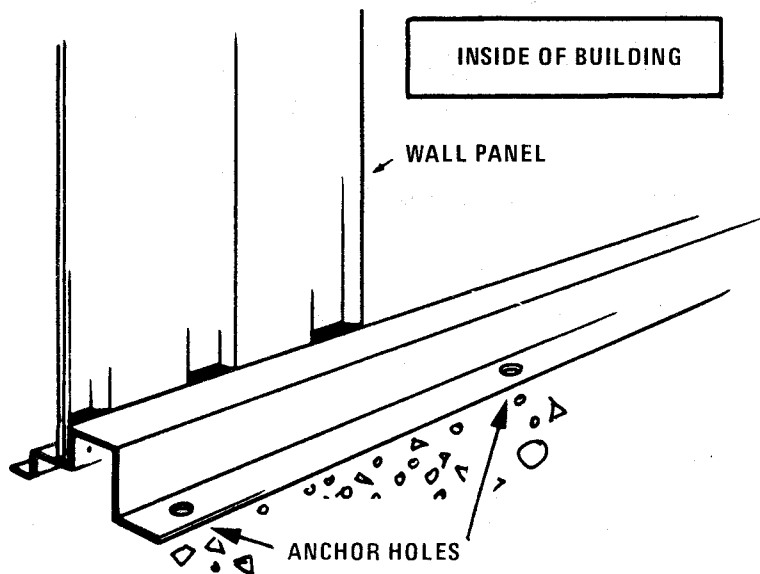
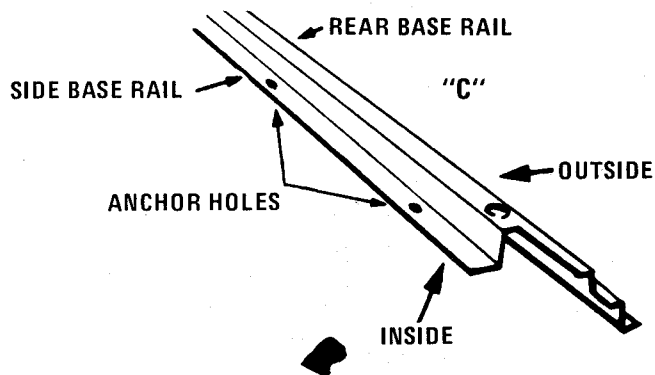
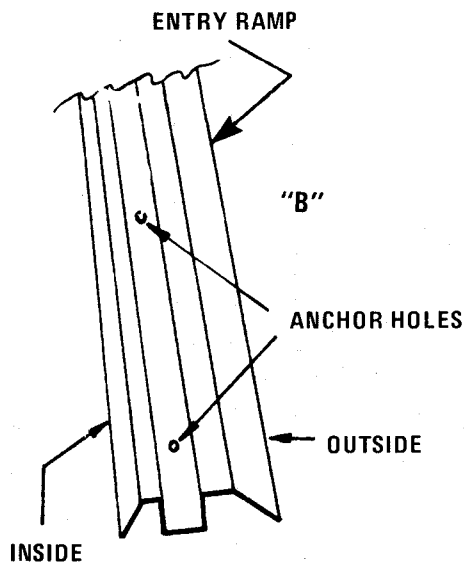
307H154 20	307H185 20	307H216 20
307H278 20			307H340 24



DOORWAY



ANCHOR SCREWS
WASHER & SHIELD

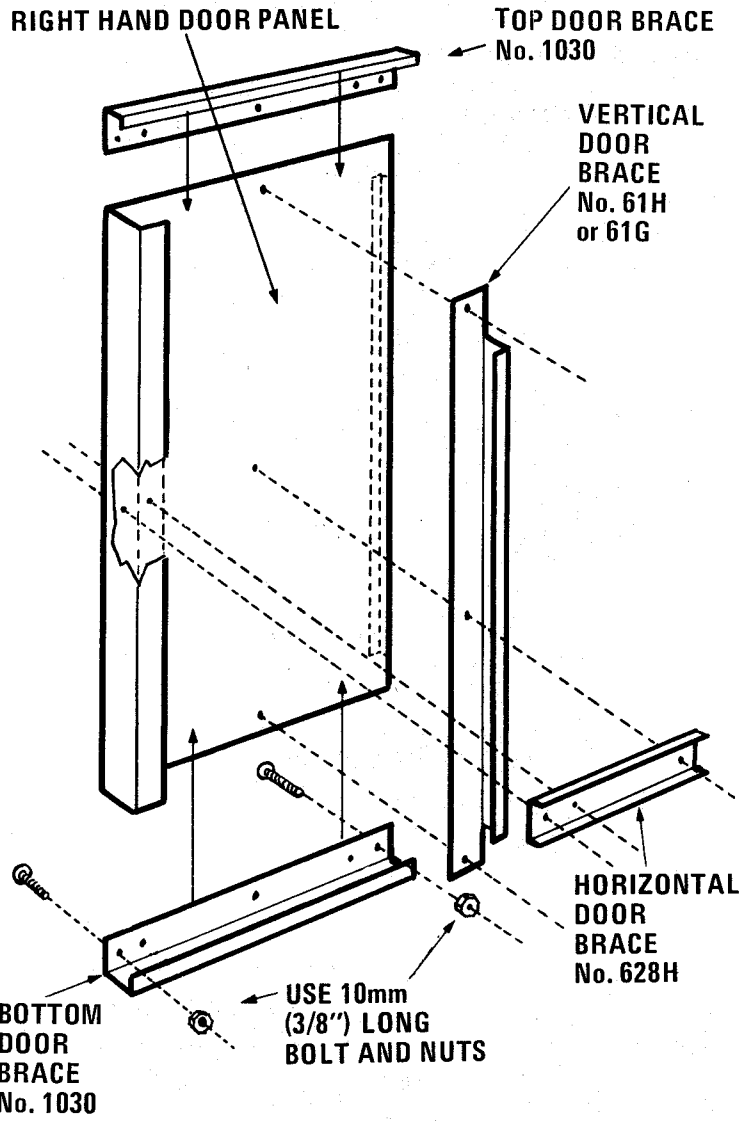
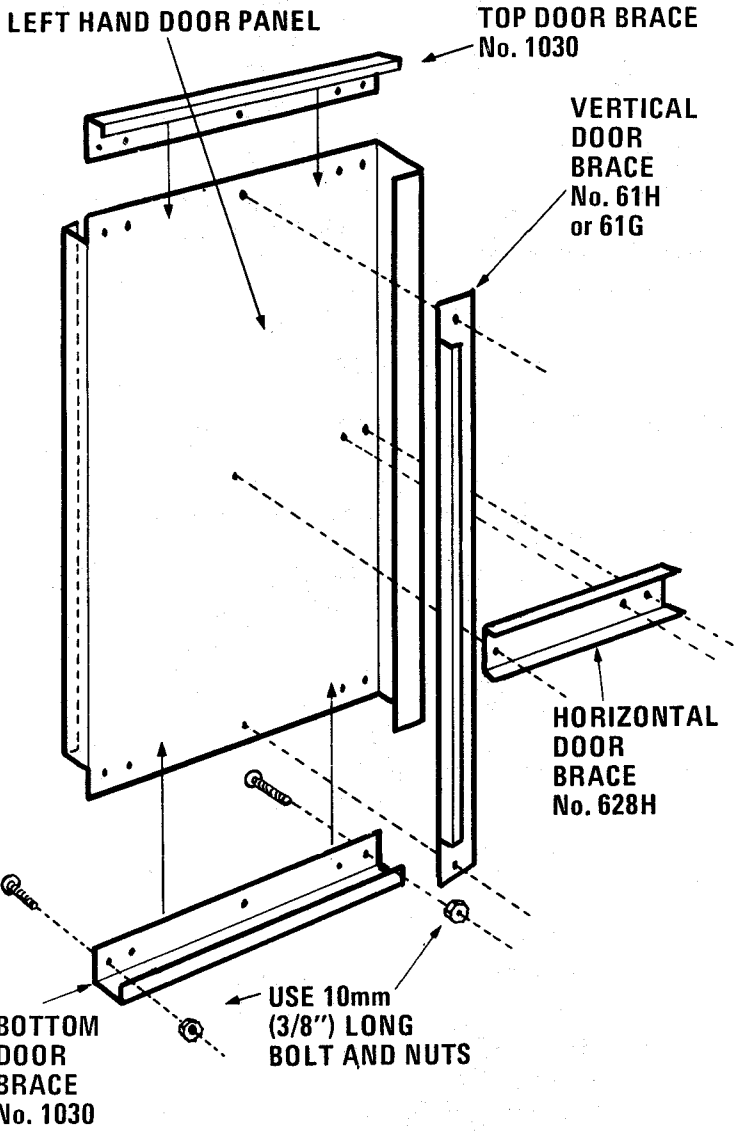


IMPORTANT

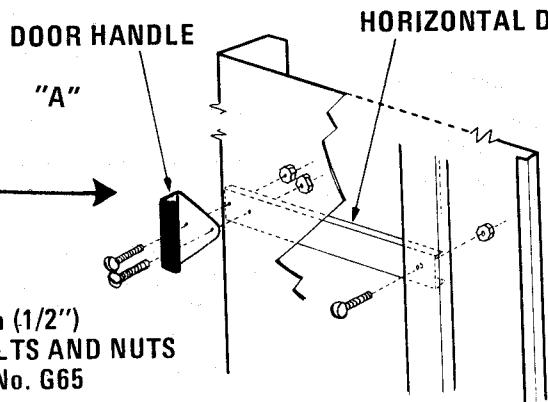
This Building is designed to withstand normal wind loads when installed according to instructions. Spacemaker Ltd. cannot be held responsible for any consequences due to buildings that are not installed per instructions or for damage due to any weather conditions or acts of God.

1. Install door braces No. 1030 against top and bottom of left door panel **exactly as illustrated below**. Line up holes in brace with holes in door panel. **Fasten at ends only.**
2. Position Vertical Door Brace (No. 61H or 61G) to line up with holes in door panel as shown. **Fasten at ends only.**
3. Install Horizontal Door Brace No. 628H. Fasten to Vertical Door Brace and Door Panel and Install Door Handle. See "A".
4. Repeat for right door panel.

*** VIEWED FROM INSIDE BUILDING ***



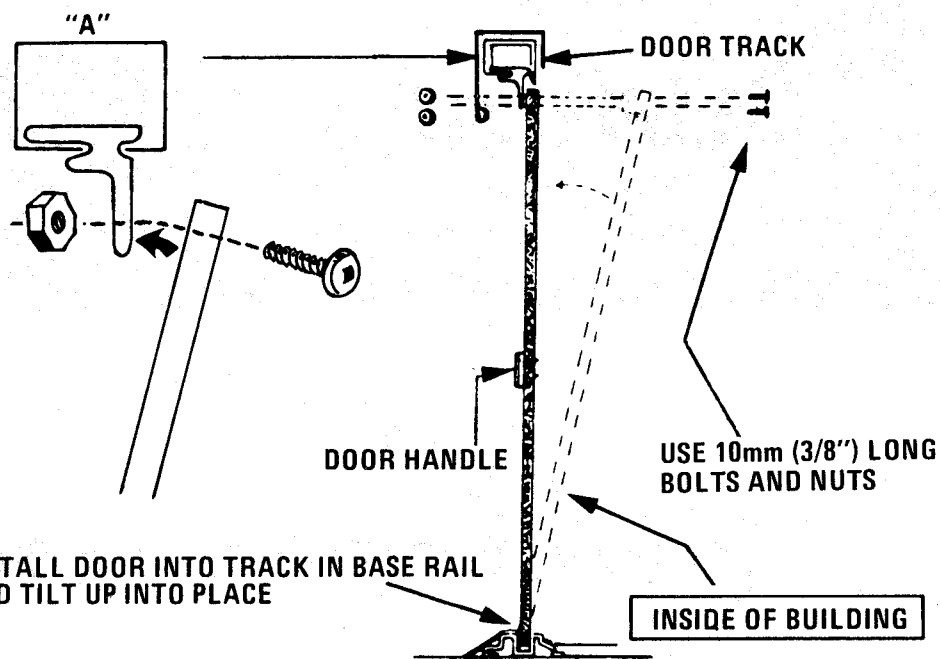
VIEWED FROM OUTSIDE BUILDING



24 DOOR INSTALLATION (FROM INSIDE)

1. Inside and near the corner of building, install bottom lip of left door into track formed in base rail.
2. Position top of door so that holes in door line up with CENTRE holes in door glide. Fasten door glides to door with 10mm (3/8") long bolts and nuts from **THE INSIDE**. See "A"
3. Install right hand door in the same manner.

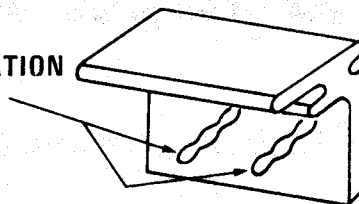
INSTALL DOOR INTO TRACK IN BASE RAIL AND TILT UP INTO PLACE



25 DOOR ADJUSTMENT (FROM INSIDE)

1. Close doors to see if they meet squarely. There are three holes in each of the door glides to raise or lower doors as required for a square fit.

ADJUST BOLT LOCATION IN THESE 3 HOLES FOR SQUARE FIT



IMPORTANT BE SURE THAT ALL BOLTS AND NUTS ARE INSTALLED AND TIGHTENED FOR MAXIMUM STRENGTH OF BUILDING.

CAUTION TO PREVENT DAMAGE TO THE ROOF OF YOUR BUILDING . . . **DO NOT STAND ON ROOF**. DURING THE WINTER **DO NOT** ALLOW MORE THAN 25.4 cm (10") OF SNOW TO ACCUMULATE. UNDER SUCH CONDITIONS OCCUPANCY IS HAZARDOUS AND **MUST BE AVOIDED**. IF THE BUILDING IS NOT ACCESSIBLE DURING WINTER MONTHS, THE ROOF SHOULD BE BRACED FROM THE INSIDE.

HEAVY SNOW: IF YOU EXPECT DEEP ACCUMULATION HAVE 2X4 BRACES AVAILABLE TO PROP UP RIDGE BEAMS UNTIL THE SNOW CAN BE REMOVED FROM THE ROOF.

CARE FREE MAINTENANCE — Your building has been designed to give you years of carefree service. All parts have been precision engineered for perfect fit. It is manufactured from heavily galvanized steel with exterior parts pre-enameled on both sides at the steel mill.

Periodically clean and wax the exterior. This will enhance the appearance and prolong the usefulness of your building for many added years.

CONGRATULATIONS

ON YOUR PURCHASE OF A QUALITY

Spacemaker GARDEN BUILDING

PRECISION ENGINEERED TO GUARANTEE YEARS OF VIRTUALLY
MAINTENANCE FREE USE.

OTHER QUALITY PRODUCTS FROM **Spacemaker**.

- CONSUMER AND COMMERCIAL HIGH QUALITY STEEL SHELVING SYSTEMS.
- CLOSET ORGANIZATION SYSTEMS.
- WORKSHOP TABLES - STOOLS AND SAW HORSES.

PRINTED IN CANADA.

SPACEMAKER LIMITED • 3069 WOLFEDALE RD., • MISSISSAUGA • ONTARIO • L5C 1V9.