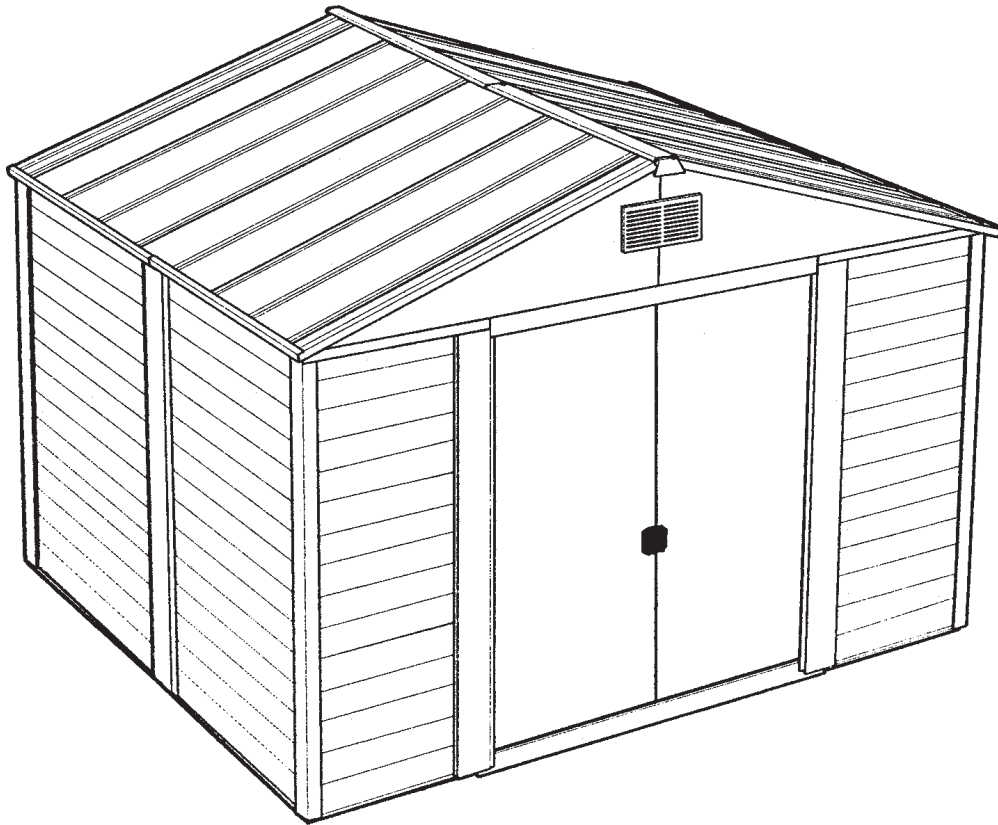


# ASSEMBLY INSTRUCTIONS FOR MODELS EV108-A, EVS108-A, EVS108T-A, SVM108

101



**CAUTION:** Some parts have sharp edges. Care must be taken when handling the various pieces to avoid a mishap. For safety sake, please read the safety information provided in this manual before beginning construction. Wear gloves when handling metal parts.

**VERSION FRANÇAISE AU DOS**

# CONTENTS

- Pre-construction instructions
- Assembling the building
- Anchoring the frame
- Parts List and order information

## PROCEED WITH CONFIDENCE

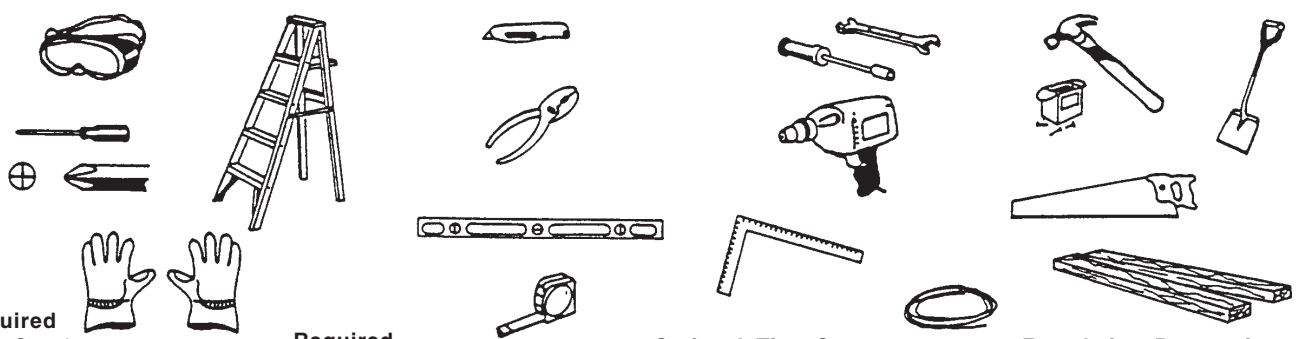
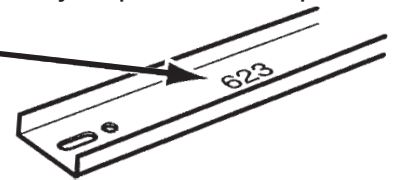
It might look complicated when you first unpack your building...but it really isn't. Simply follow the illustrated instructions and your building will go up quickly and accurately.

## ASSEMBLY INSTRUCTIONS

- **Before beginning construction**...check local building codes regarding footings, location and other requirements. Study and understand the owner's manual.
- **You will need assistance**...you'll find that another person will speed the job and make assembly easier.
- **Selecting your site**...choose an area that's firm and level yet allows drainage away from site.

**WARNING!** ... DO NOT ERECT YOUR BUILDING IN AREAS THAT ARE SUBJECTED TO HIGH WINDS, OR ERECT ON A WINDY DAY. ANY BUILDING LEFT PARTIALLY CONSTRUCTED MAY BE SERIOUSLY DAMAGED IF LEFT IN THIS STATE.

- **Sort and separate all parts and hardware**...checking with the Parts List on Page 4 and the illustrations on Page 5...be sure you have all parts and know where they belong in the building. Each part has been numbered or illustrated, the quantity required and its part number noted.
- **Follow step-by-step instructions carefully**...complete each step before going onto the next one.
- **Retain this manual after assembly is completed**...it contains a complete parts list.



### Required

- Eye Goggles
- No. 2 Phillips Screwdriver (with Hardened Magnetic Tip)
- Work Gloves
- Step Ladders

### Required

- Utility Knife / Scissors
- Pliers
- Carpenter's Level
- Tape Measure

### Optional Time-Savers

- Wrench / Nut Driver
- Electric / Cordless Drill
- Square
- String (for squaring frame)

### Foundation Preparation

- Hammer and Nails
- Spade or Shovel
- Hand Saw / Power Saw
- Lumber and/or Concrete

## BUILDING CARE

- **Carefree maintenance** – Your building has been designed to give you years of carefree service. All parts have been precision engineered for a perfect fit. It is manufactured from heavily galvanized steel with exterior parts pre-enameled on both sides at the steel mill.
- **IMPORTANT** – This building is designed to withstand normal wind loads when installed according to instructions. Manufacturer cannot be held responsible for any consequences due to buildings that are not installed per instructions or for damage due to weather conditions or acts of God.

# IMPORTANT

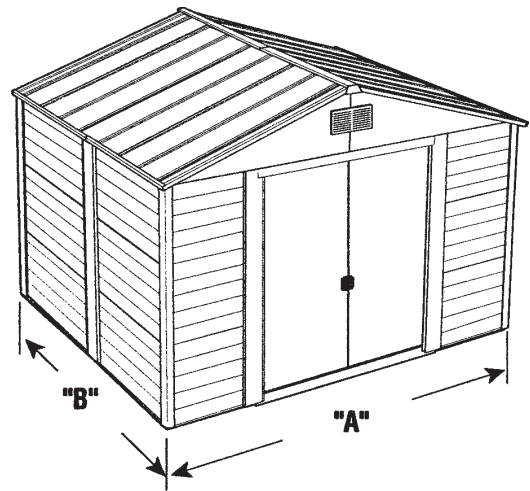
S03

## PERSONAL SAFETY DURING BUILDINGS CONSTRUCTION

Some of the building components may contain sharp edges prior to assembly. Wear protective work gloves while handling these components. Wear eye protection when using any form of power tool. Do not use household voltage power tools in a wet or damp environment. Household voltage power tools must be monitored and controlled by a Ground Fault Interrupter or more commonly called a G.F.I. Do not use any part of the building's frame as a means of personal support while attaching components during assembly.

## PREPARATION OF BUILDING SITE

This building must be constructed on a **SOLID BASE FOUNDATION**. We recommend a poured concrete pad or large size concrete patio stone squares for a suitable floor and base. Which ever you select...*make sure your foundation area is firm and level and will allow drainage away from the site.* Make your solid base foundation at least 4" (100mm) larger than your building. **Manufacturer is not responsible for the choice and the construction of the foundation.**



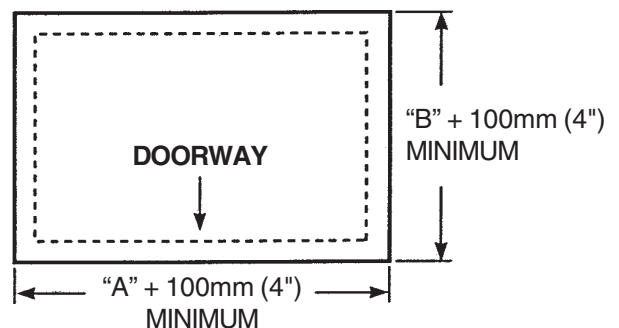
## OUTSIDE MEASUREMENTS OF BUILDING AT BASE

MODEL	"A" CM	"A" INCH	"B" CM	"B" INCH
10x8	297.2	117	239.4	94 1/4

## YOUR BUILDING MUST BE ANCHORED

Your building must be firmly anchored to your concrete pad or large concrete patio stone squares...to help protect against damage in high winds.

FURTHER ANCHORING INSTRUCTIONS FOLLOW AFTER ALL WALL AND ROOF PANELS HAVE BEEN INSTALLED.



# Parts List

104

**IMPORTANT...**When ordering parts please provide number stamped on the surface of galvanized parts. In the case of wall and roof panels please provide the model number of the building, color and size of panels.

To order parts please use order form on the last page.

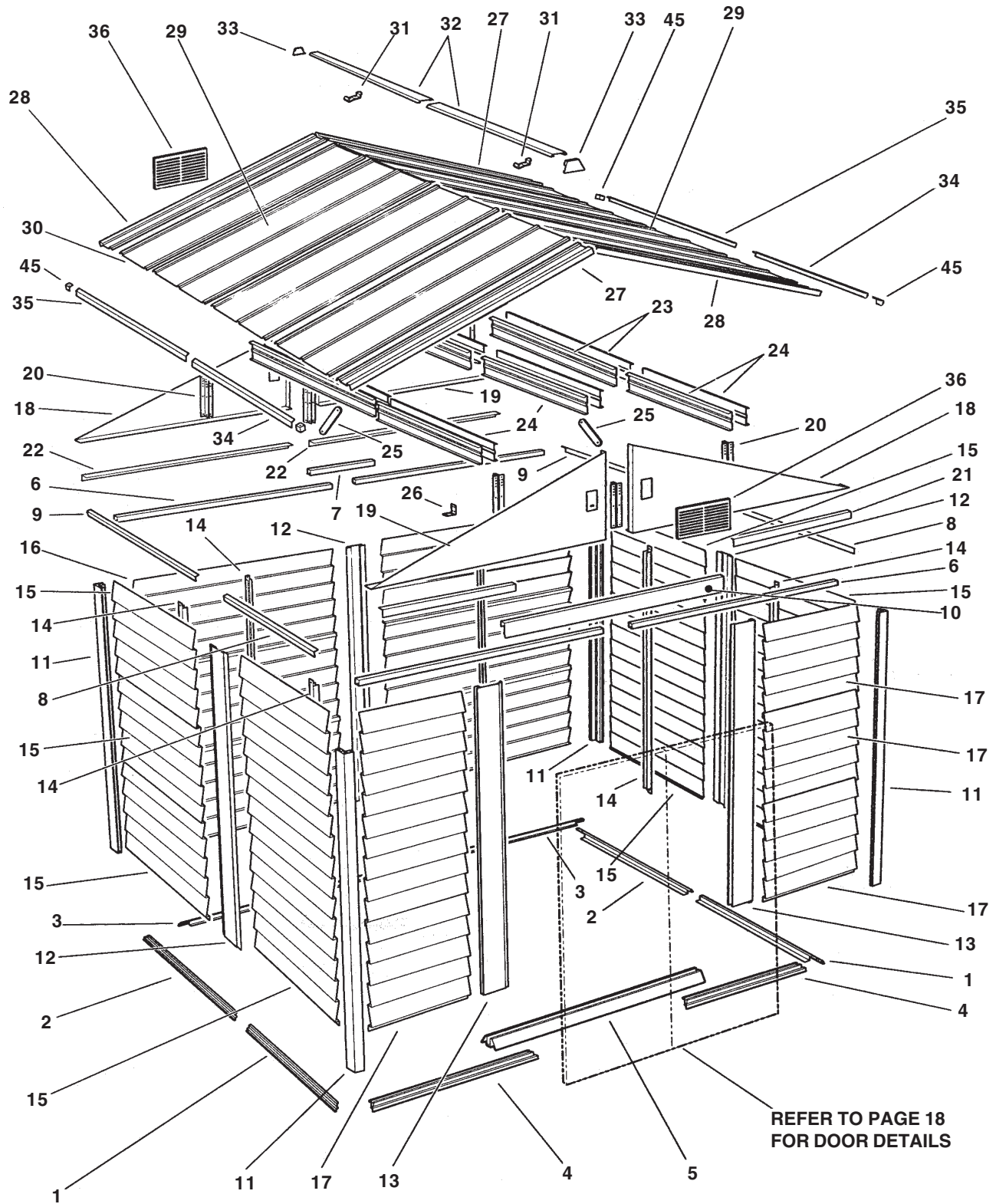
Item Number	Part Number	Part Description	Quantity
1	53H	Side Base Rail	2
2	73H	Side Base Rail	2
3	104H	Rear Base Rail	2
4	102H	Front Base Rail	2
5	1010H	Entry Ramp	1
6	106H	Front and Rear Top Rail	4
7	SP3	Splice Bar	1
8	527M	Side Top Rail	2
9	727M	Side Top Rail	2
10	1035H	Door Fascia	1
11	5V72	Corner Post	4
12	4V72	Splice Post	3
13	89VS	Door Jamb	2
14	72V	Panel Stud	6
15	21V46	Side Panel	12
16	21V57	Rear Panel	6
17	21V26	Front Panel	6
18	1042HH	Left Gable	2
19	1043HH	Right Gable	2
20	33	Ridge Beam Bracket	12
21	542H	Roof/Wall Edge Trim	2
22	541H	Roof/Wall Edge Trim	2
23	H716H	Ridge Beam	6
24	H516H	Ridge Beam	6
25	1052	Main Gable Support Brace	2
26	36	Top Wall Bracket	4
27	1018VS	Left Roof End Panel	2
28	1044VS	Right Roof End Panel	2
29	1019VS	Roof Panel	6
30	1047VS	Half Roof Panel	2
		•Model EVS108T (1) 1047VS (1) T1047HH	
31	#2	Ridge Cover Mounting Bracket	2
32	820H	Ridge Cover	2
33	49H	Ridge Cover End Cap	2
34	541H	Roof Edge Trim	2
35	741H	Roof Edge Trim	2
36	13-100	Louvre	2
37	50H	Weatherseal Tape	1
38	P61	Plastic Washer Tree	4
39	1022V70	Door Panel (See Page 18)	2
40	HC108	Honeycomb Panel	2
41	1030V	Top & Bottom Door Brace	4
42	1033V	Horizontal Door Brace	2
43	A61V	Vertical Door Brace	2
44	DH10	Door Handle	2
45	60H	Roof Corner Cap	4
		Owner's Manual	1
		Hardware Kit Contains (Bolts, Nuts and Screws)	
46	A67	Door Glide	4
47	48	Door Spacer (2 sets of 2)	4
48	C14	Spacer	4

Painted parts may contain a prefix/suffix that designates color / material.

# Assembly by Key Number

105

NOTE: DRAWING IS NOT TO SCALE, BUT IS DESIGNED TO SHOW CROSS SECTIONS AND GENERAL CONFIGURATION TO AID IDENTIFICATION OF PARTS.



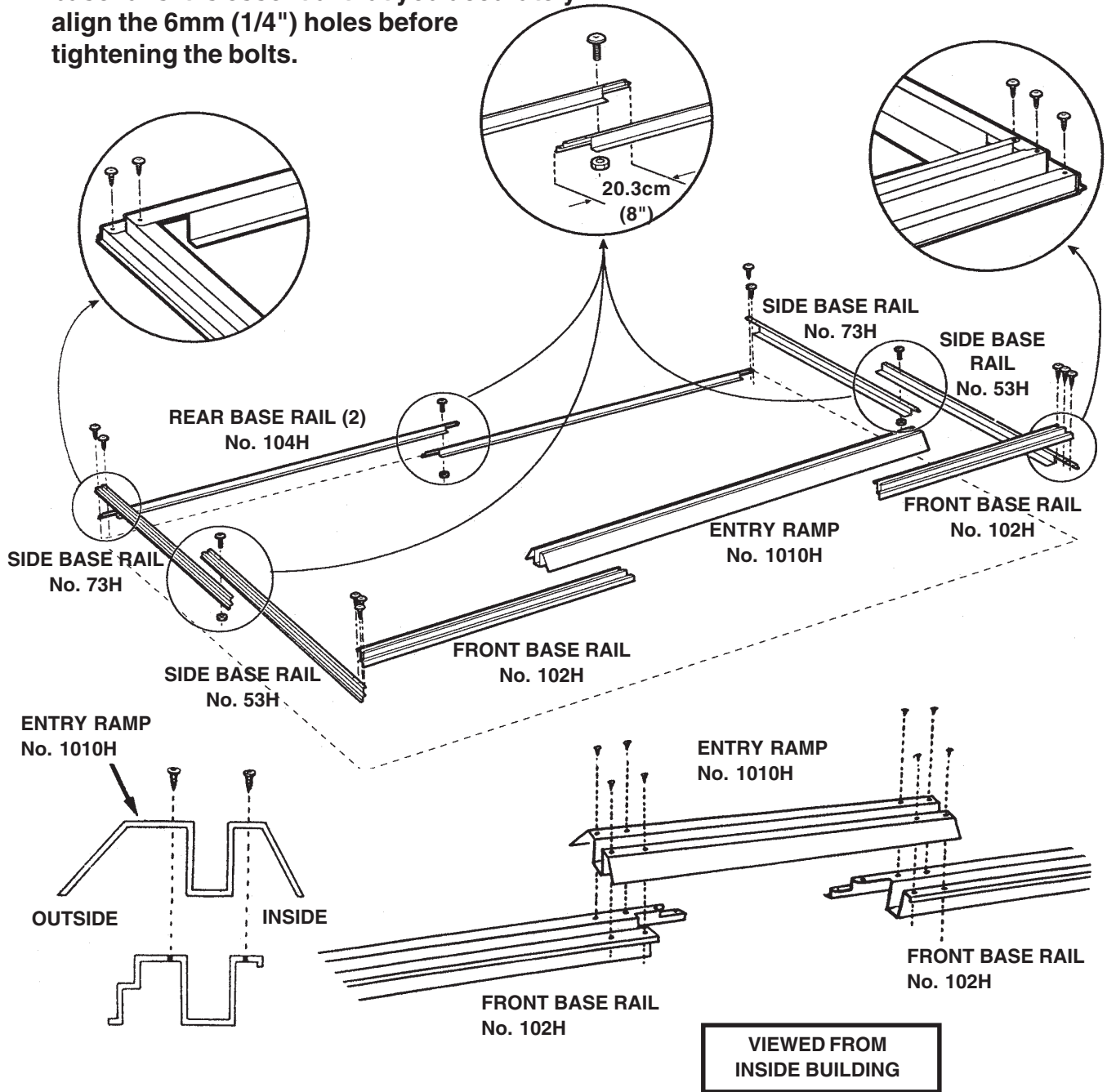
STEP  
1

**BASE FRAME ASSEMBLY**

1. Assemble base rails into a base frame by selecting the appropriate parts as shown below.
2. On completion, check base frame for squareness by measuring diagonal corners. **Your measurements must be equal.**

53H	Side Base Rail	2
73H	Side Base Rail	2
104H	Rear Base Rail	2
102H	Front Base Rail	2
1010H	Entry Ramp	1

**IMPORTANT:** When splicing side and rear base rails it is essential that you accurately align the 6mm (1/4") holes before tightening the bolts.



USE SELF TAPPING SCREWS..10mm (3/8") LONG

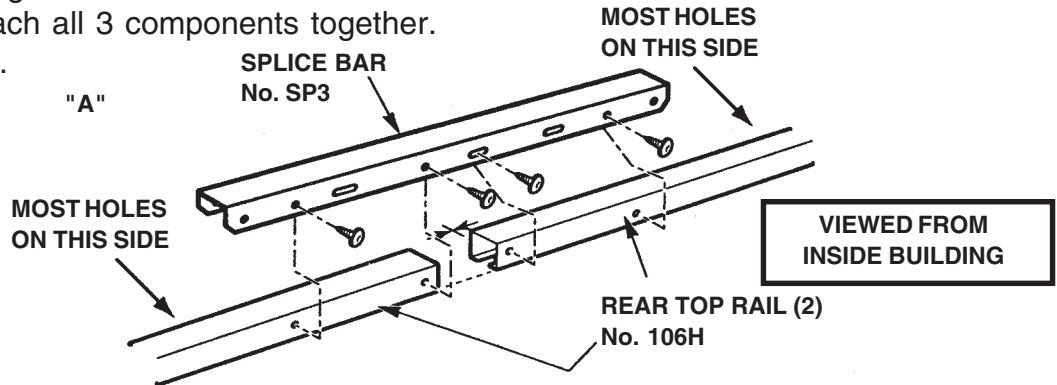
STEP  
2

TOP FRAME ASSEMBLY

106H	Rear Top Rail	2
SP3	Splice Bar	1
727M	Side Top Rail	2
527M	Side Top Rail	2
106H	Front Top Rail	2
1035H	Door Fascia	1
A67	Door Glide	4

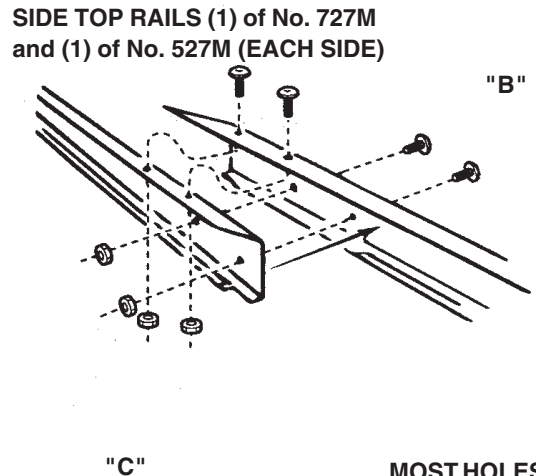
**NOTE...One side of the top rail contains a large number of fixing holes, this side is later required to face the outside of the building. Do not insert any screws in this surface until instructed.**

1. Position splice bar No. SP3 and (2) rear top rails No. 106H into position as shown in illustration "A".
2. Using (4) self tapping screws on the inside surface of the assembly, attach all 3 components together. See illustration "A".

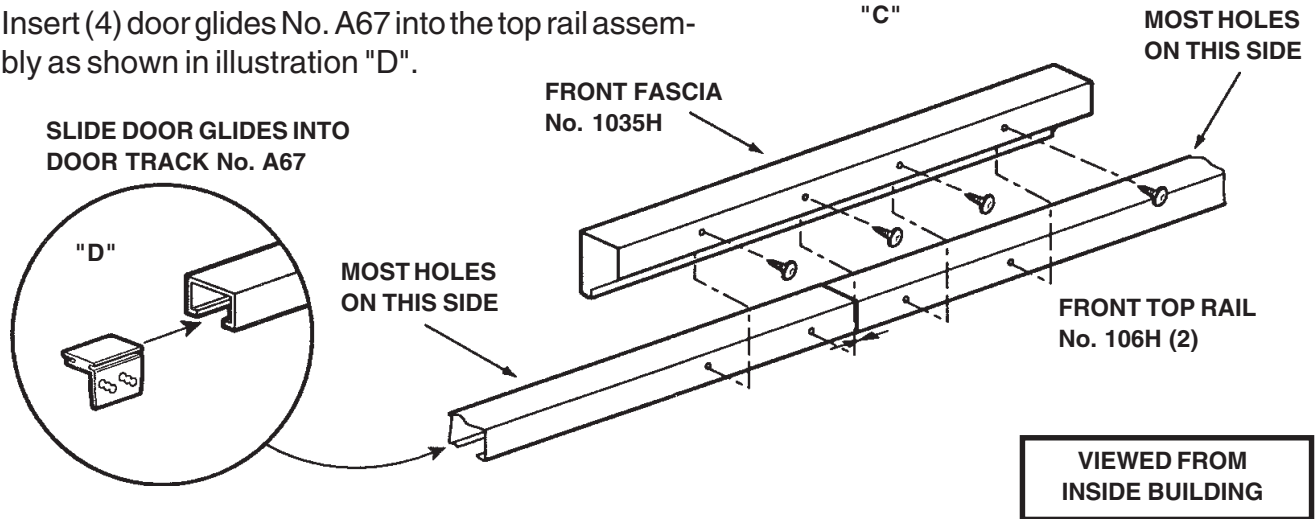


3. Assemble side top rails as shown in illustration "B" using (4) 10mm (3/8") long bolts and nuts at each joint.

**IMPORTANT: When splicing side top rails, it is essential that you accurately align the 6mm (1/4") holes before tightening the bolts.**



4. Position front fascia No. 1035H and (2) front top rails No. 106H into position as shown in illustration "C".
5. Using (4) self tapping screws on the inside surface of the assembly, attach all 3 components together. See illustration "C"
6. Insert (4) door glides No. A67 into the top rail assembly as shown in illustration "D".



STEP  
3

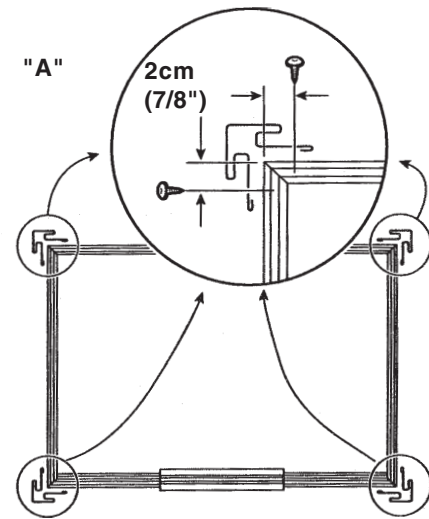
**CORNER POSTS AND TOP FRAME ASSEMBLY**

5V72 Corner Post 4

1. Fasten corner posts No. 5V72 to the base frame as shown using (2) self tapping screws into the **first fixing hole** on the end of each base rail. See illustration "A" for dimensions.

**NOTE:** Corner posts should be supported until after assembly of the top rails.

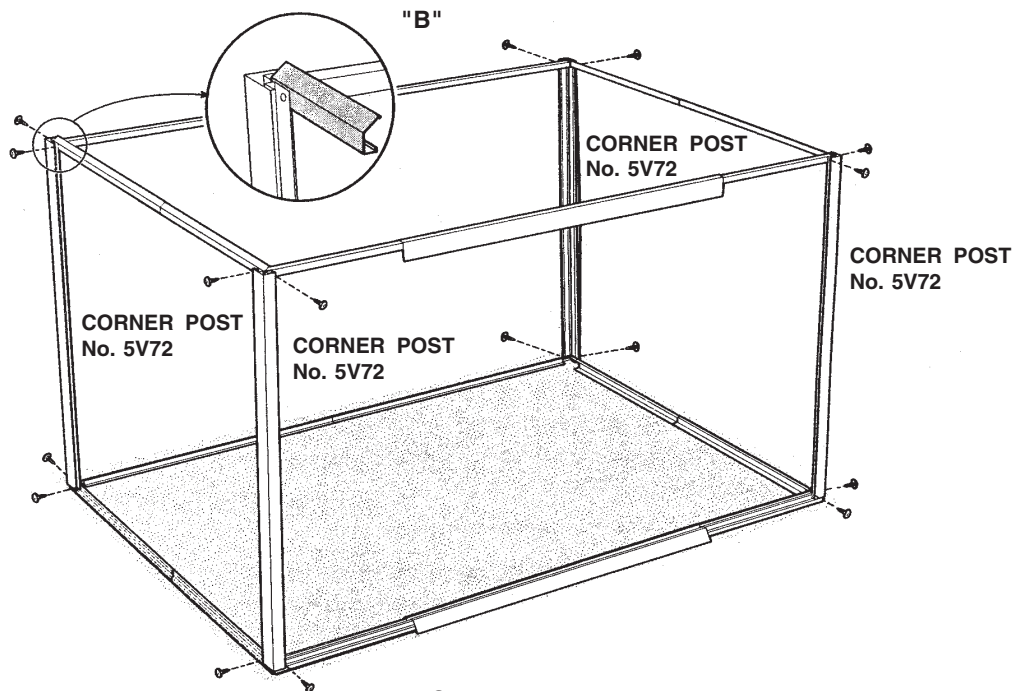
2. It is important that you have inserted the (4) door glides No. A67 as shown on previous page, prior to fastening the front top rail assembly into position. Ensure that the flat side of the glide is towards the inside of the building. Position and fix front top rail assembly using (1) self tapping screw in each corner as shown. See illustration "A" for dimensions.



3. Using (2) self tapping screws, attach rear top rail assembly between the (2) rear corner posts.

**NOTE...**Attach rear top rail assembly to corner posts using the **outermost** fixing holes of the rear rail assembly.

4. **INSTALLATION NOTE...**The side top rails must be installed with the longer angled flange facing toward the center of the building. See illustration "B" for details. Using (2) self tapping screws, attach a top side rail assembly between the front and rear corner posts. (See illustration) Attach top side rail assembly to corner posts using the second from the end fixing holes of the side rail. Repeat procedure to attach the opposite top side rail assembly.



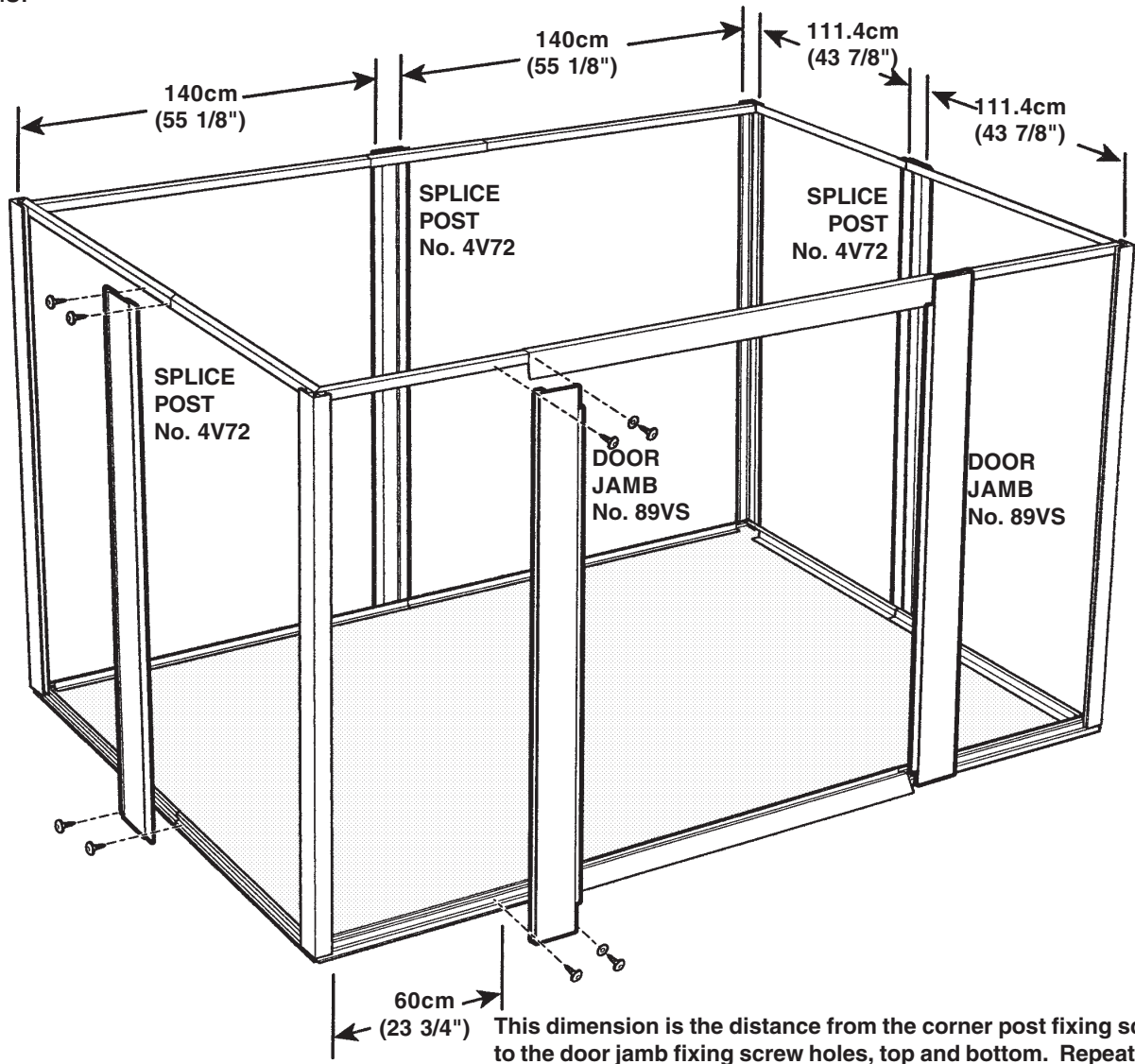


STEP
4

### FITTING SPLICE POSTS AND DOOR JAMBS

4V72	Splice Post	3
89VS	Door Jamb	2

1. Position splice posts No. 4V72 at center of each side wall and fasten using (2) self tapping screws at the top and bottom rail.
2. Position splice post No. 4V72 at the center of rear wall and fasten with (2) self tapping screws at top and bottom rail. See illustration below for dimensions.
3. Position a door jamb No. 89VS with notch facing towards center of building and slide one edge under the door fascia. Fasten using (2) self tapping screws and washers where shown at top and bottom rail. Repeat these instructions for second door jamb. See footnote for dimensions.



STEP

5

**FIT PANEL STUDS**

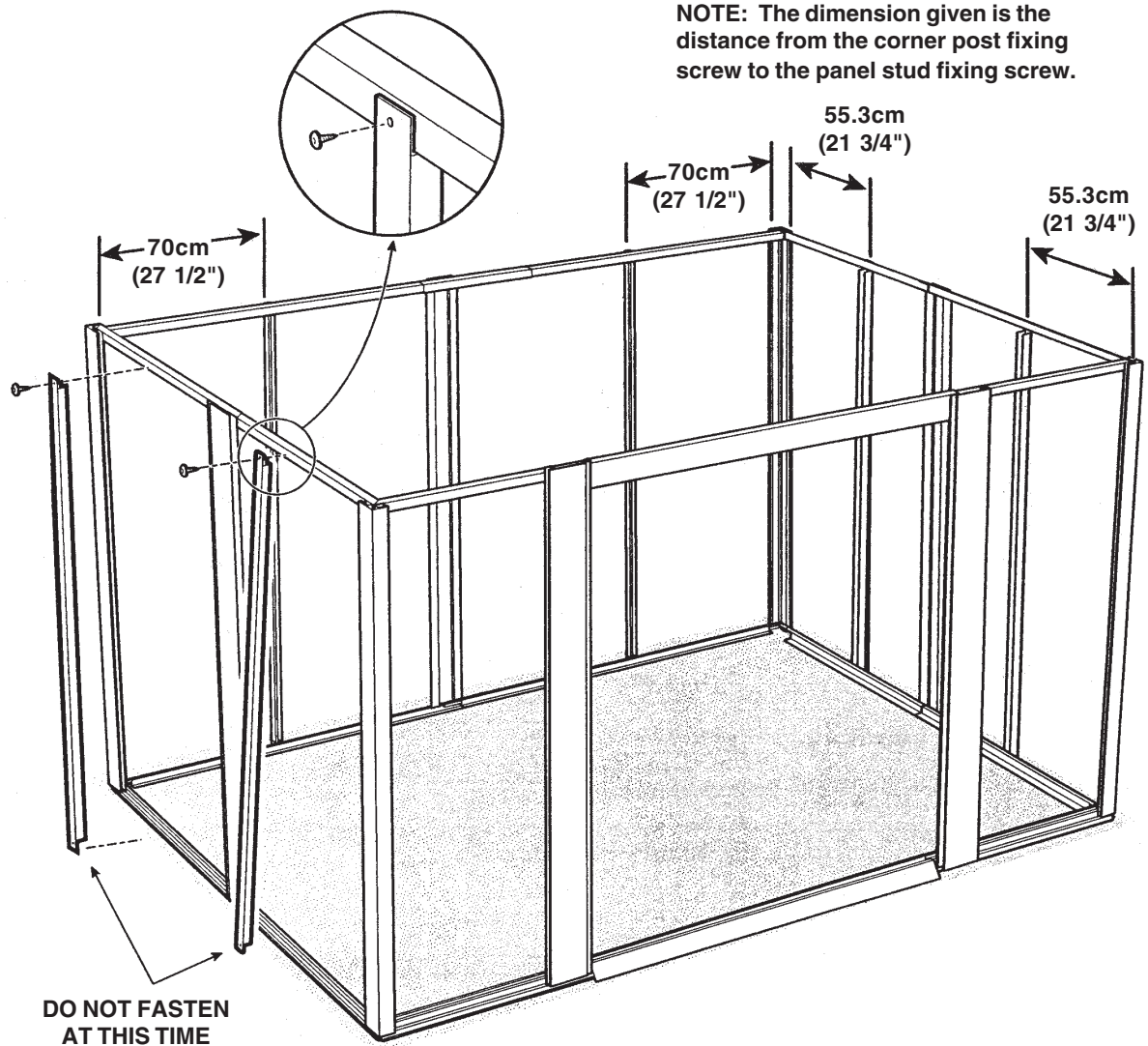
72V

Panel Stud

6

The panel studs provide a mid-panel fixing point.

1. **Using the dimensions provided in the illustration**, attach a panel stud No. 72V to the outside top frame and fasten with a self tapping screw. Do not fully tighten at this time as this screw will later fix both the panel and stud to the top rail.
2. Position bottom flange on the outside of the base rail. Do not fasten at this time. Repeat the above instructions for the remaining 5 studs.



STEP
6

## INSERTING SIDE PANELS

21V46

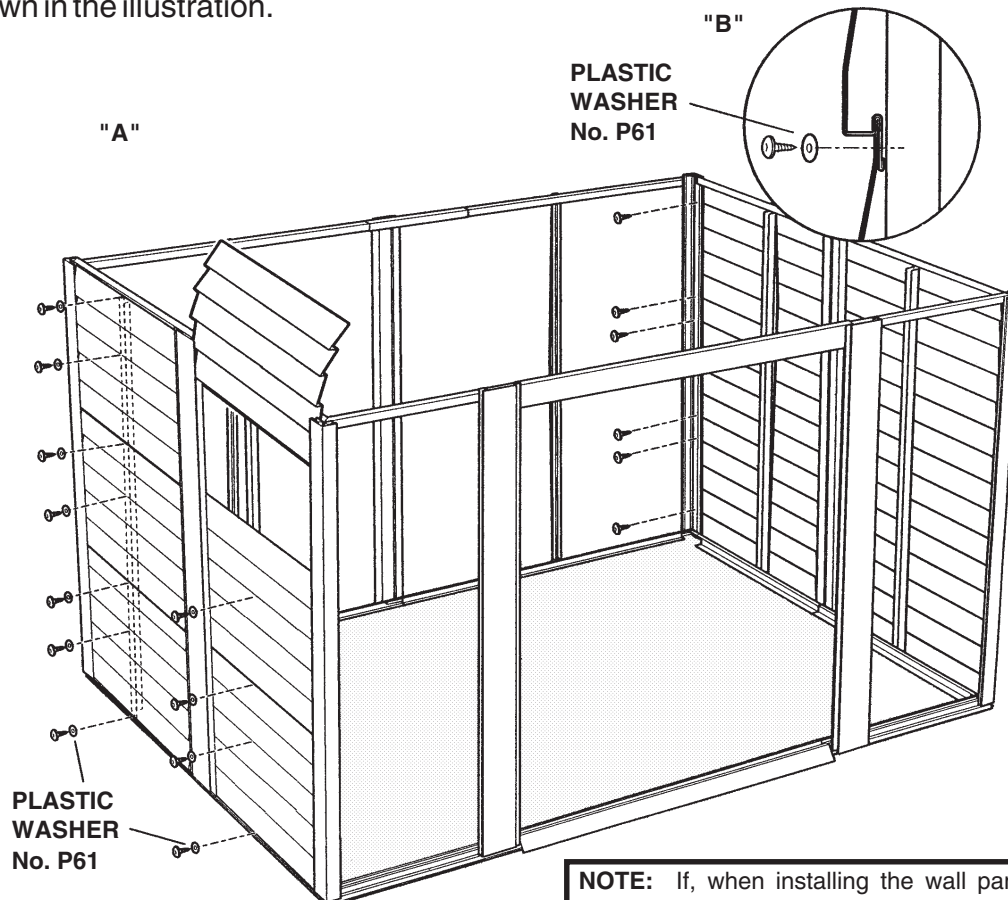
Side Panel

12

**Plastic washers must be used on all exterior panel screws.**

**INSTALLATION TIP:** When inserting panels into position between the corner and splice posts, you will find the panel will enter more readily if you allow the weight of the panel to fall towards the inside of the building. You and your assistant can now work each side of the panel evenly into position.

1. Slide side panel No. 21V46 into the grooves of the corner and splice posts. See illustration "A" for the correct method of installing panels. Slide the first panel to the bottom of the wall, **aligning the panel stud No. 72V fixing hole with the fastening hole in the wall panel and base rail.** Fasten using self tapping screw and washer. Using self tapping screw and washer fasten side panel to the panel stud through the center position hole.
2. Slide second panel into the wall ensuring that the top edge of the lower panel fits into the groove on the bottom edge of the panel above. See illustration "B"
3. **Before installing the top wall panel you must remove the self tapping screw from the upper fixing hole of the panel stud No. 72V where it joins the top rail.** This screw with washer will now fix the panel and stud to the top rail.
4. Continue to install the remaining side panels using the above instructions. When completed, each panel stud should have a total of (7) self tapping screws and washers.
5. From the inside of the building attach side panels to the corner posts using (6) self tapping screws as shown in the illustration.



**NOTE:** If, when installing the wall panels, adjustment is required to slide panels into grooves, this can be achieved by loosening the screws in the corner and splice posts and adjusting.

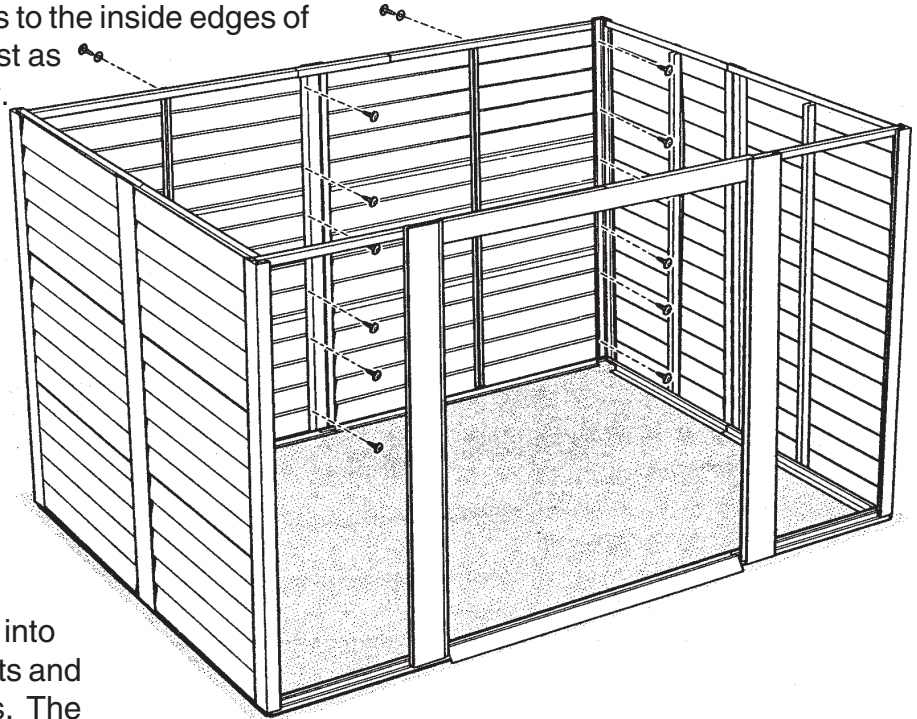
STEP

7

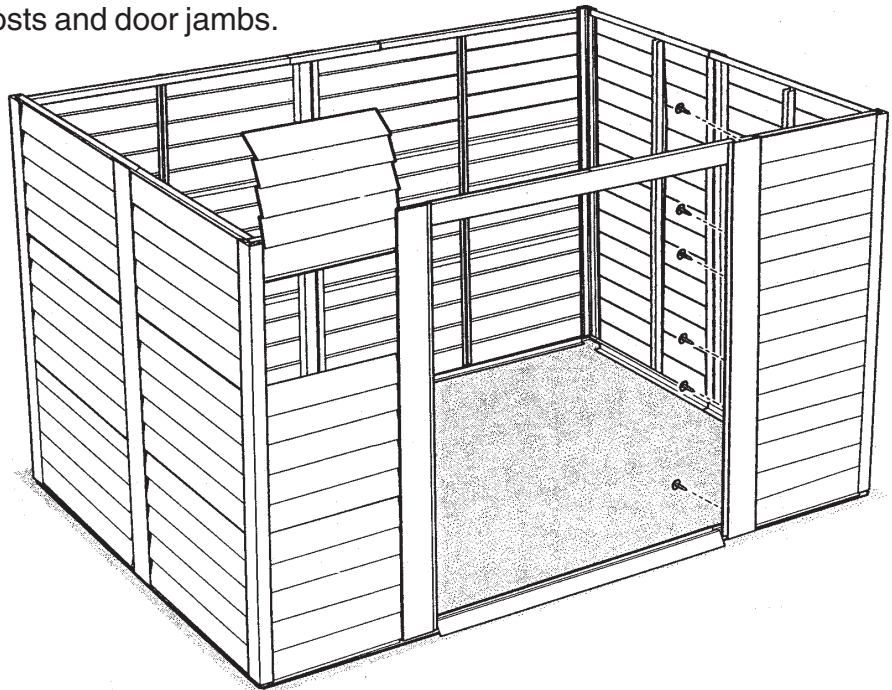
**INSERTING FRONT AND REAR PANELS**

21V57	Rear Panel	6
21V26	Front Panel	6

1. Using the same method of installation as described in the previous step, install the rear wall panels No. 21V57.
2. From the inside of the building, using (6) self tapping screws, attach the wall panels to the inside edges of the splice post and corner post as shown in the illustration below.



3. Install front panels No. 21V26 into the grooves of the corner posts and the grooves of the door jambs. The front wall panels are attached from the inside of the building using (6) self tapping screws through the fixing holes provided on each side of the corner posts and door jambs.



STEP  
8

**PREPARE GABLES AND RIDGE BEAMS**

1042HH	Left Gable	2
1043HH	Right Gable	2
33	Ridge Beam Bracket	8
542H	Roof/Wall Edge Trim	2
541H	Roof/Wall Edge Trim	2
H716H	Ridge Beam	6
H516H	Ridge Beam	6
1052	Main Gable Support Brace	2

1. Fit (2) brackets No. 33 to each gable as shown in illustration "A" using (4) bolts, washers and nuts.
2. Select the (2) shorter front roof edge trim components No. 542H. Attach a trim to each front gable as shown in illustration "A" using (2) self tapping screws each. Attach (1) of the longer rear wall panel trims No. 541H to each rear gable using (2) self tapping screws each. The trims on the rear gables are designed to overlap by approximately 8.6cm (3 3/8") when the gables are installed on the building.

**Prepare Main Ridge Beam**

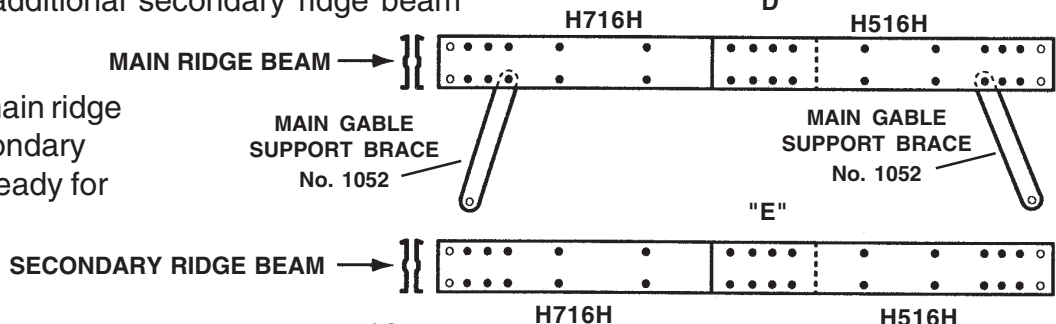
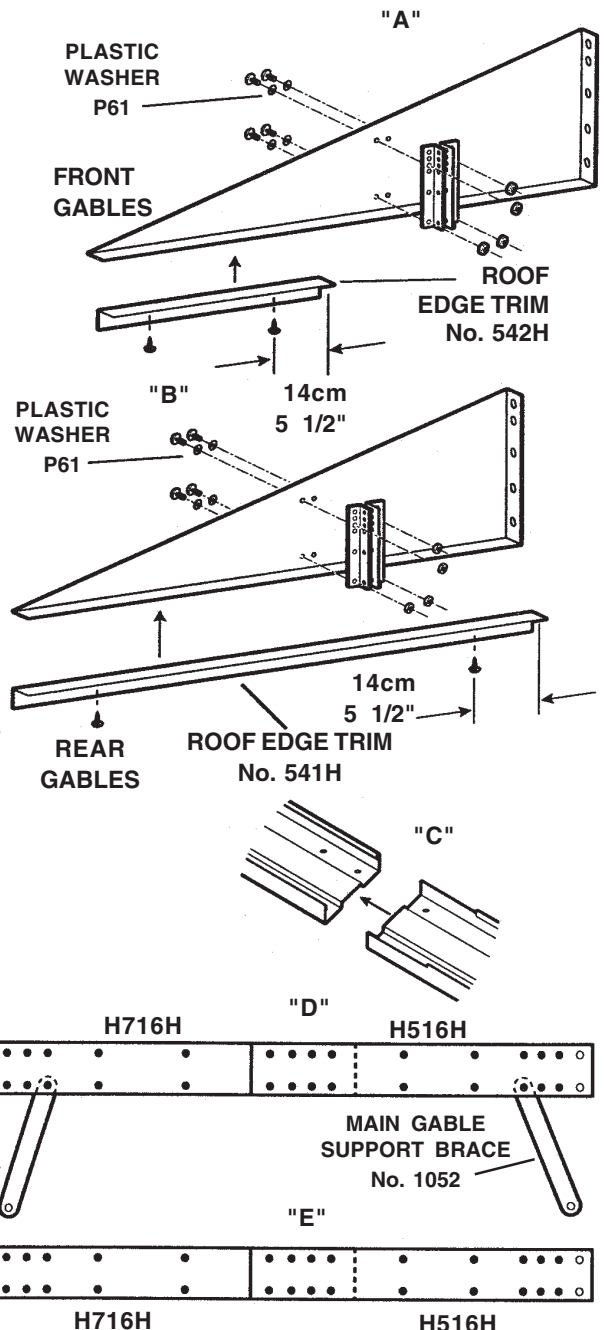
**NOTE...**One edge of the ridge beam contains a number of fixing holes, attach the (2) sections together with the fixing holes facing in the same direction.

3. Select (1) each of the ridge beams No. H716H and No. H516H and join together using the method shown in illustration "C". Your ridge beam assembly should now measure approximately 238.8cm (94") in length.
4. Select another (1) No. H516H and (1) No. H716H ridge beams and join as above.
5. Using the assembled ridge beams placed back-to-back as shown in illustration "D" position main gable support braces No. 1052 in position as shown. Join together using bolts and nuts in holes shown with black dots.

**Prepare Secondary Ridge Beams**

6. Select (1) No. H516H and (1) H716H ridge beams and join together as shown in illustration "C". Your secondary ridge beam assembly should now measure approximately 238.8cm (94") in length. Repeat to assemble (3) more ridge beam assemblies.
7. Place (2) ridge beam assemblies back-to-back as shown in illustration "E". Join together using nuts and bolts in holes as indicated with black dots in illustration "E". Repeat for additional secondary ridge beam assembly.

Your (4) gables, main ridge beam and (2) secondary ridge beams are ready for installation.



STEP

9

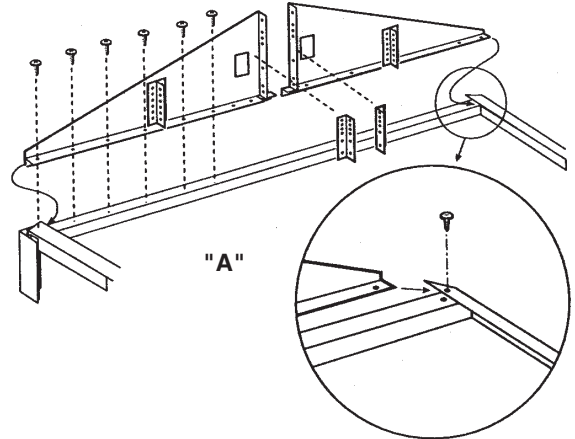
## FITTING FRONT GABLES, REAR GABLES AND RIDGE BEAMS

33	Ridge Beam Bracket	4
36	Top Wall Bracket	4

1. Place right rear gable into position and fasten using self tapping screws to rear top rail as shown in illustration "A".
2. Install left rear gable using the same method.

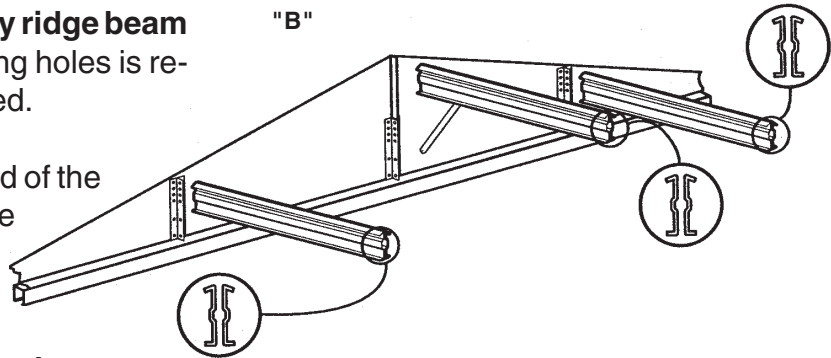
**NOTE...**Ensure that the end lip of the gable is located between the angled lip of the side top wall and top surface of the rear wall.

3. Fasten left and right gables together using (2) brackets No. 33 with bolts and nuts utilizing the **third and fifth holes** from the top of the brackets No. 33. Do not fully tighten at this time.
4. Position (2) top wall brackets No. 36 on either side of the lower gable joint as shown in illustration "C". Attach each top wall bracket to the top rail using a self tapping screw. Using bolt and nut, attach the gables and top wall brackets together. (See illustration "C") Repeat these instructions for the front gables.



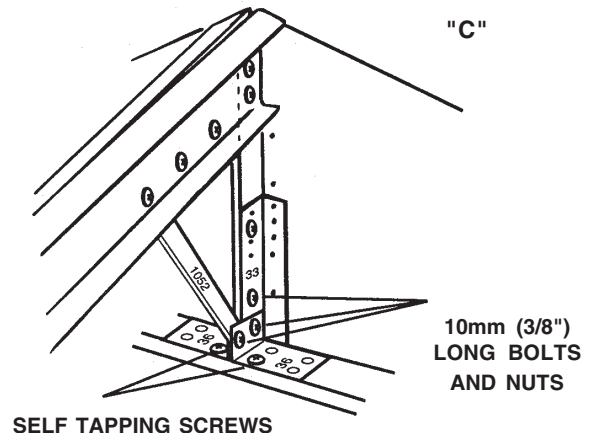
**NOTE...**The edge of the **secondary ridge beam** containing the most number of fixing holes is required to face upward when installed.

5. Using (2) bolts and nuts at each end of the secondary ridge beam, attach ridge beam to the brackets No. 33 as shown in illustration "B".



**NOTE...**The edge of the **main ridge beam** containing the most number of fixing holes is required to face upward when installed.

6. With assistance, position the main ridge beam's center joint over the upper joint of the gables at each end of the building. Using (2) bolts and nuts at each end of the main ridge beam, attach ridge beam to the upper two vacant fixing holes of the gable joint. (See illustration "C") Repeat these instructions for opposite side of the building. Attach main gable support brace No. 1052 to top wall bracket No. 36 with bolt and nut.



*Ensure all bolts and nuts are tight at this time.  
You are now ready to begin installing the roof.*

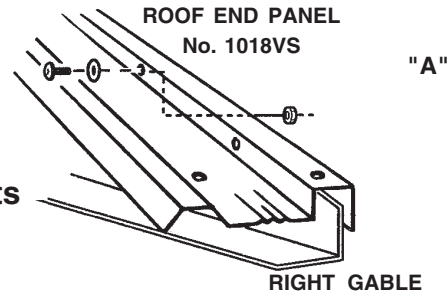
STEP  
10

**FITTING ROOF PANELS**

1019VS	Roof Panel	6
1018VS	Left Roof End Panel	2
1044VS	Right Roof End Panel	2
1047VS	Half Roof Panel or	2
	(1) 1047VS and (1) T1047HH	
#2	Ridge Cover	
	Mounting Bracket	2
50H	Aluminum Weatherseal Tape	1

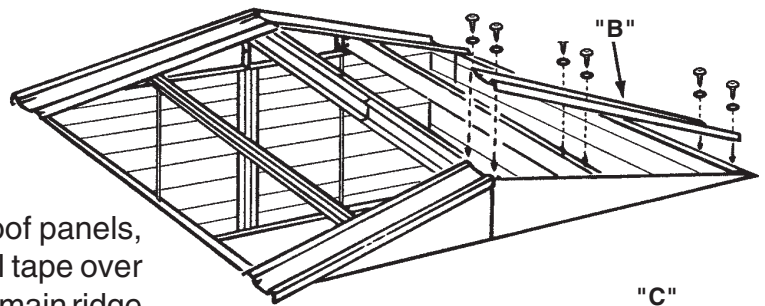
**Roof End Panels**

1. Position roof end panel over the gable as shown in the illustration. Align the fixing holes of the roof end panel with those of the gable. Using bolts, nuts and plastic washers attach roof end panel to the gable. (See illustration "A") **NOTE...**Position the nuts on the outside surface of the gable.
2. Attach roof end panels to the side top rail, main ridge beam and secondary ridge beam using self tapping screws and plastic washers as shown in illustration "B".
3. Repeat instruction to attach the opposite side roof end panel to gable.



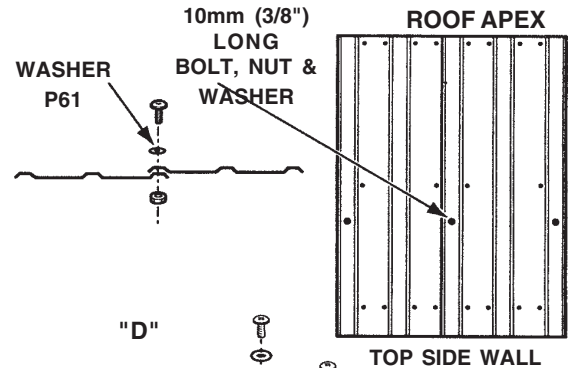
**Roof Panels, Tape and Ridge Cover Mounting Brackets**

4. Starting at the rear of the building attach a half roof panel on each side of the building. Attach half roof panel to the side top rail, main ridge beam and secondary ridge beam using self tapping screws and plastic washers.
5. Repeat instruction to attach the opposite side half roof panel.

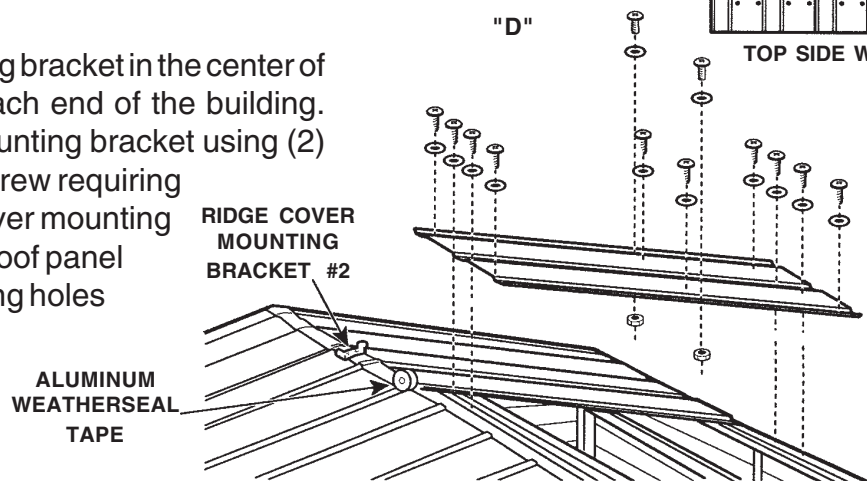


As you proceed across the roof adding roof panels, carefully apply the aluminum weatherseal tape over the entire joint of the roof panels above the main ridge beam. (See illustration "D")

**NOTE...**The aluminum weatherseal tape must be applied with care ensuring that there are no air gaps. Be sure the surface is clean, dry and dust free and apply only when temperature is above 13°C (55°F). Ensure the edges of the tape have been sealed tightly down to the roof panels.



6. Attach a ridge cover mounting bracket in the center of the first full roof panel at each end of the building. Attach each ridge cover mounting bracket using (2) self tapping screws, each screw requiring to pass through the ridge cover mounting bracket, weatherseal tape, roof panel and finally into the upper fixing holes of the main ridge beam.



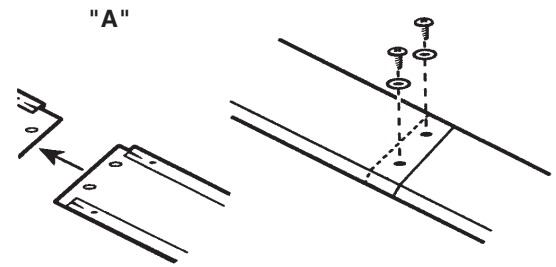
**STEP**  
**11**

**FITTING RIDGE COVER,  
COVER END CAPS,  
ROOF EDGE TRIMS AND LOUVRES**

820H	Ridge Cover	2
49H	Ridge Cover End Cap	2
741H	Roof Edge Trim	2
541H	Roof Edge Trim	2
60H	Roof Corner Cap	4
13-100	Louvre	2

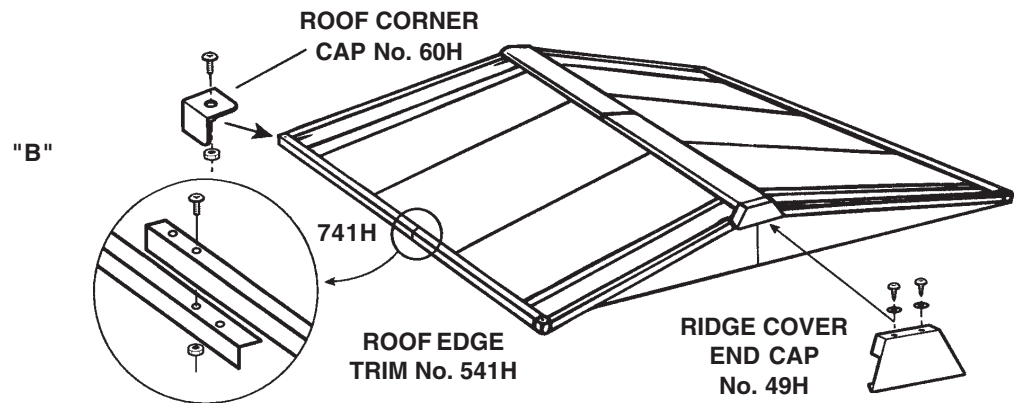
**Ridge Cover**

1. Slide (1) ridge cover No. 820H onto the mounting bracket and feed towards the opposite bracket. Using second ridge cover, join together as shown in illustration "A". Continue to feed the ridge covers over the second mounting bracket until they are centered on the roof.
2. Clip ridge cover end caps into position and fasten with screws and washers. See illustration "B".



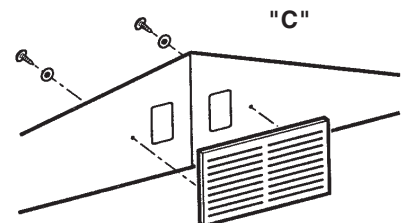
**Roof Edge Trims and Corner Caps**

3. Position lengths of roof edge trim (2 per side) in place over edge of roof with a lap joint. Fasten with bolts and nuts through roof panel. See illustration "B".
4. Fasten (4) corner caps No. 60H through roof end panels and roof edge trim with bolts and nuts.



**Install Louvres**

5. Install louvres No. 13-100 to front and rear gables using (2) self tapping screws for each as shown in illustration "C".



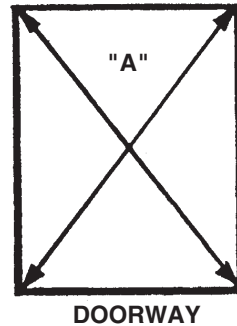


STEP  
12

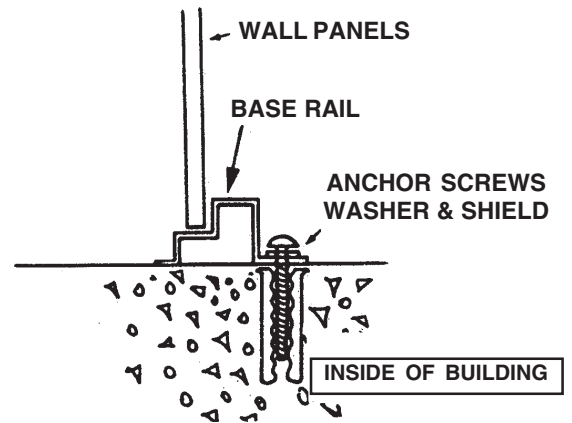
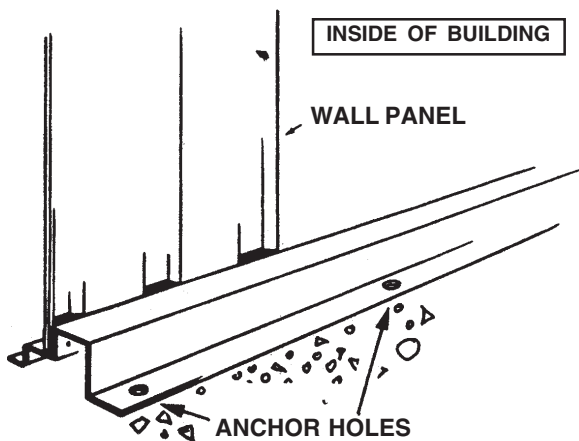
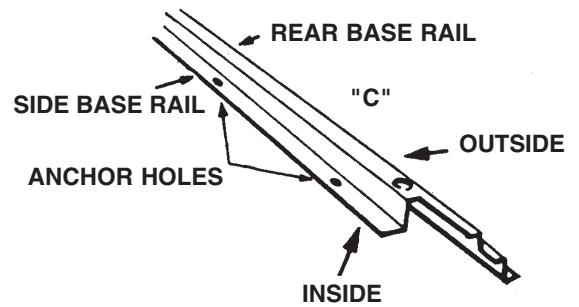
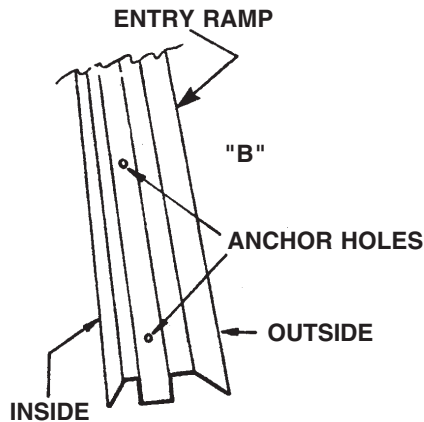
**COMPLETE THE ANCHORING OF YOUR BUILDING NOW!  
YOUR BUILDING MUST BE ANCHORED!**

1. Check building position on concrete base and adjust to original planned position.
2. Carefully position base frame in the center of solid base foundation --- to allow at least 100mm (4") of solid base outside the frame.
3. Check base frame for squareness by measuring diagonal corners. Your measurements should be equal! See "A"
4. Inside your base frame...there are 6mm (1/4") holes in the entry ramp and on the inside flange of the front, side and rear base rails. **These are anchor holes**...for installation of anchor screws into the concrete or patio stones. See "B" and "C"
5. When your base frame is square...use a black felt pen to mark location of anchor hole center on the concrete. **Mark for all anchor holes.**
6. With an electric drill and a Carbide Bit (Check size to suit anchor shield)...drill proper holes into concrete at each mark.
7. Insert anchor shields into each hole.
8. Fasten all base rails to concrete with anchor screws.

**NOTE:** Anchor screws, washers and shields are **NOT** supplied as part of the hardware package and may be purchased at your local store. You will require 20 No. 10 concrete anchor screws 38mm (1 1/2") long with washers and expansion shields **PLUS** a Carbide Bit to suit.



ANCHOR SCREWS  
WASHER & SHIELD



**IMPORTANT**  
This building is designed to withstand normal wind loads when installed according to instructions. Manufacturer cannot be held responsible for any consequences due to buildings that are not installed per instructions or for damage due to any weather conditions or acts of God.

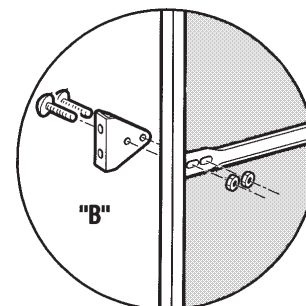
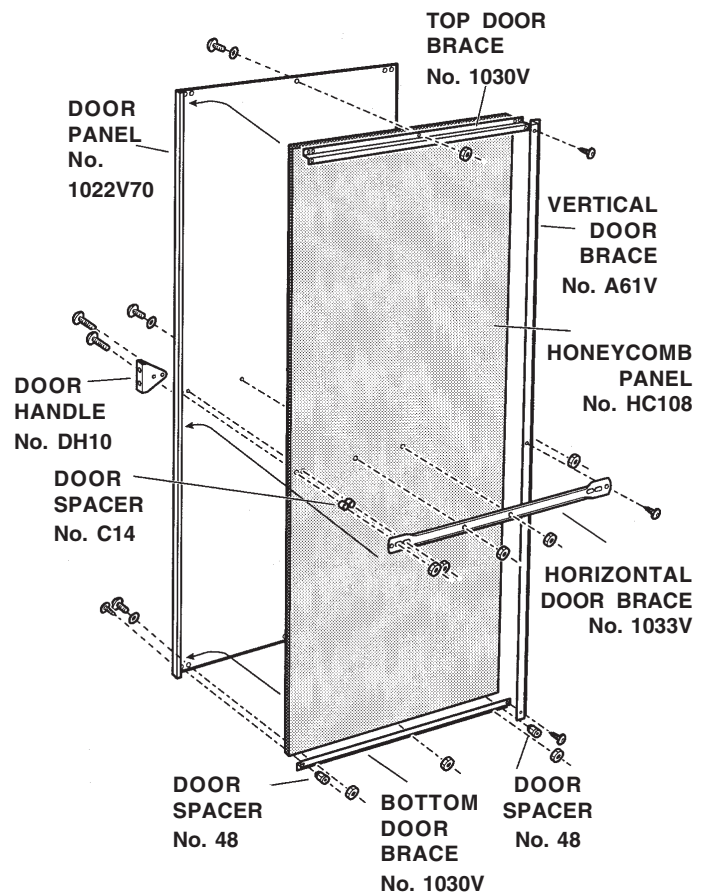
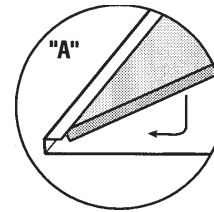
STEP

13

**DOOR ASSEMBLY**

1. Lay a door panel on a flat clean surface. With the honeycomb panel at an angle to the door, wedge its edge under the lip of the door panel. See illustration "A" Push the honeycomb down and securely under the lip of the door panel. Position vertical door brace No. A61V and attach using a 10mm (3/8") bolt, nut and washer through the center fixing hole. Do not tighten at this time.
2. Fit bottom door brace No. 1030V using (3) 10mm (3/8") bolts, nuts and washers through the inner holes of brace and door panel ensuring that the lip of the door brace is over the edge of the door panel. Using (2) self tapping screws fit (2) No. 48 spacers through the outer holes of the braces and door panels.
3. Fit top door brace 1030V using (1) 10mm (3/8") bolts, nuts and washers through center hole.
4. Gently force the door handle mounting screws through the honeycomb panel to provide a guide on the inside surface. You should place your hand on the honeycomb panel to avoid tearing a larger hole than necessary on the inside surface. From the inside of the door panel, use a screwdriver to enlarge the screw mounting holes only to a size that will accept the door spacers No. C14. Position the door spacers No. C14 in the areas created. Position horizontal door brace No. 1033V under lip of door panel and line up holes. Using (2) 25mm (1") truss bolts and nuts fit door handle through door panel, honeycomb, spacers No. C14 and brace No. 1033V as shown in illustration "B".
5. Fit brace No. 1033V to brace No. A61V using a self tapping screws. Fit top and bottom braces using self tapping screws. Using (2) 25mm (1") truss bolts, nuts and washers secure brace No. 1033V through honeycomb to door panel. Tighten all screws and bolts ensuring that the top edge of the door panel is covered by the lip of the top door brace.
6. **REPEAT INSTRUCTIONS FOR OTHER DOOR**

1022V70	Door Panel	2
HC108	Honeycomb Panel	2
1030V	Top and Bottom Door Brace	4
1033V	Horizontal Door Brace	2
A61V	Vertical Door Brace	2
C14	Door Spacer	4
DH10	Door Handle	2
48	Door Spacer	4

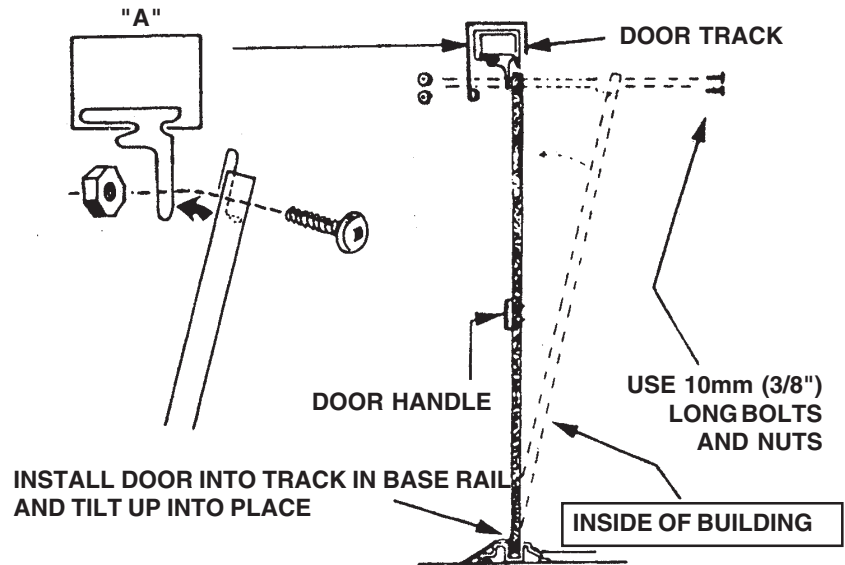


STEP

14

## DOOR INSTALLATION (FROM INSIDE)

1. Inside and near the corner of building, install bottom lip of left door into track formed in base rail.
2. Position top of door so that holes in door line up with CENTER holes in door glide. Fasten door glides to door with 10mm (3/8") long bolts and nuts from **THE INSIDE**. See "A"
3. Install right hand door in the same manner.



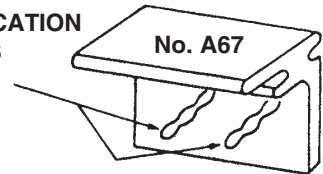
STEP

15

## DOOR ADJUSTMENT (FROM INSIDE)

1. Close doors to see if they meet squarely. There are 3 holes in each of the door glides to raise or lower doors as required for a square fit.

ADJUST BOLT LOCATION  
IN THESE 3 HOLES  
FOR SQUARE FIT



# CARE AND MAINTENANCE

- **Finish:** For long lasting finish, periodically clean and wax the exterior surface. Touch up scratches as soon as you notice them on your building. Immediately clean the area with a wire brush; wash it and apply touch up paint per manufacturer's recommendation.
- **Roof:** Keep roof clean of leaves and snow with long handled, soft bristled broom. Heavy amounts of snow on roof can damage the building making it unsafe to enter.
- **Doors:** Keep doors closed to prevent wind damage.
- **Fasteners:** Regularly check your building for loose screws, bolts, nuts, etc. and retighten them as necessary.
- **Moisture:** With changing temperatures, condensation can accumulate inside the building.
- **Other Tips:** A non-corrosive caulking is helpful to seal the building.

Do not store swimming pool chemical in your building. Combustibles and corrosives must be stored in airtight containers.

**REPLACEMENT PARTS OR ANY QUESTIONS REGARDING YOUR BUILDING SHOULD  
BE REFERRED DIRECTLY TO CUSTOMER SERVICE. DO NOT CONTACT YOUR  
DEALER, THEY ARE NOT EQUIPPED TO SERVICE YOUR REQUESTS AS PROMPTLY AS  
THE  
CUSTOMER SERVICE DEPARTMENT (1-800-851-1085).**

**-----PARTS REPLACEMENT ORDER FORM-----**

<b>** MODEL NO. _____ **</b>			
<b>Parts Required</b>	<b>PART NO.</b>	<b>QTY.</b>	<b>COLOR</b>
<b>FOR PARTS REPLACEMENT PLEASE CONTACT CUSTOMER SERVICE DEPARTMENT. TELEPHONE NO. (1-800-851-1085)</b>			
NAME: _____			
ADDRESS: _____			
CITY: _____ PROVINCE/STATE: _____			
POSTAL CODE/ZIP: _____ TELEPHONE: _____			
PURCHASED FROM: _____			
STORE ADDRESS: _____			
DATE PURCHASED: _____			

**or Mail To: 3069 Wolfedale Road  
Mississauga, Ontario L5C 1V9**