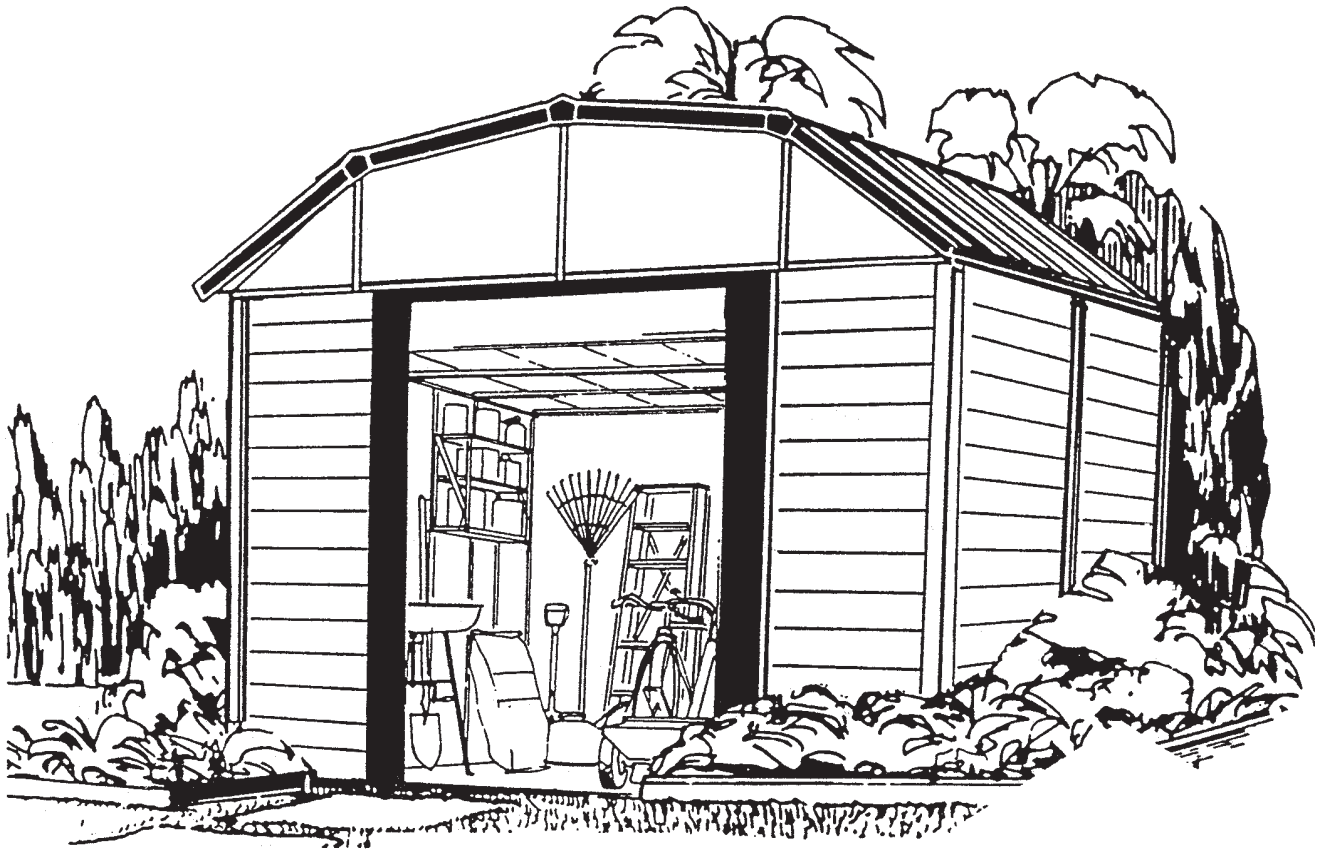


# ASSEMBLY INSTRUCTIONS FOR MODEL EGB108

AAD01



**CAUTION:** Some parts have sharp edges. Care must be taken when handling the various pieces to avoid a mishap. For safety sake, please read the safety information provided in this manual before beginning construction. Wear gloves when handling metal parts.

**VERSION FRANÇAISE AU DOS**

# CONTENTS

- Pre-construction instructions
- Assembling the building
- Anchoring the frame
- Parts List and order information

## PROCEED WITH CONFIDENCE

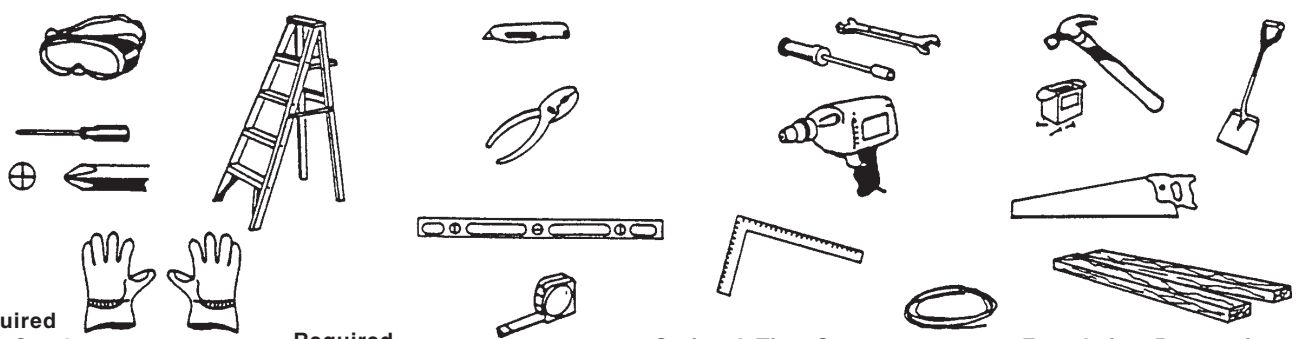
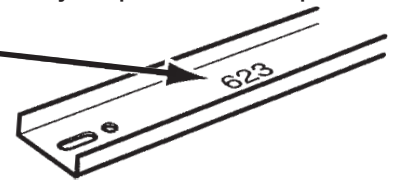
It might look complicated when you first unpack your building...but it really isn't. Simply follow the illustrated instructions and your building will go up quickly and accurately.

## ASSEMBLY INSTRUCTIONS

- **Before beginning construction...**check local building codes regarding footings, location and other requirements. Study and understand the owner's manual.
- **You will need assistance...**you'll find that another person will speed the job and make assembly easier.
- **Selecting your site...**choose an area that's firm and level yet allows drainage away from site.

**WARNING! ... DO NOT ERECT YOUR BUILDING IN AREAS THAT ARE SUBJECTED TO HIGH WINDS, OR ERECT ON A WINDY DAY. ANY BUILDING LEFT PARTIALLY CONSTRUCTED MAY BE SERIOUSLY DAMAGED IF LEFT IN THIS STATE.**

- **Sort and separate all parts and hardware...**checking with the Parts List on Page 4 and the illustrations on Page 5...be sure you have all parts and know where they belong in the building. Each part has been numbered or illustrated, the quantity required and its part number noted.
- **Follow step-by-step instructions carefully...**complete each step before going onto the next one.
- **Retain this manual after assembly is completed...**it contains a complete parts list.



### Required

- Eye Goggles
- No. 2 Phillips Screwdriver (with Hardened Magnetic Tip)
- Work Gloves
- Step Ladders

### Required

- Utility Knife / Scissors
- Pliers
- Carpenter's Level
- Tape Measure

### Optional Time-Savers

- Wrench / Nut Driver
- Electric / Cordless Drill
- Square
- String (for squaring frame)

### Foundation Preparation

- Hammer and Nails
- Spade or Shovel
- Hand Saw / Power Saw
- Lumber and/or Concrete

## BUILDING CARE

- **Carefree maintenance** – Your building has been designed to give you years of carefree service. All parts have been precision engineered for a perfect fit. It is manufactured from heavily galvanized steel with exterior parts pre-enameled on both sides at the steel mill.
- **IMPORTANT** – This building is designed to withstand normal wind loads when installed according to instructions. Manufacturer cannot be held responsible for any consequences due to buildings that are not installed per instructions or for damage due to weather conditions or acts of God.

# IMPORTANT

AAC03

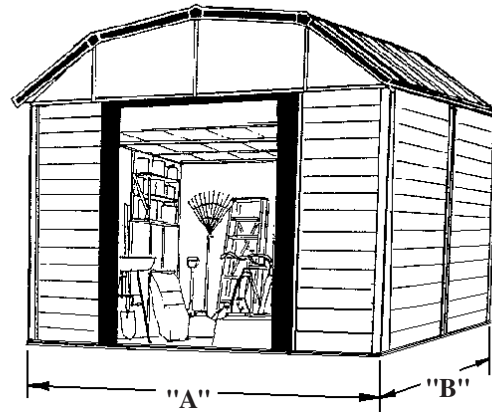
## PERSONAL SAFETY DURING BUILDINGS CONSTRUCTION

Some of the building components may contain sharp edges prior to assembly. Wear protective work gloves while handling these components. Wear eye protection when using any form of power tool. Do not use household voltage power tools in a wet or damp environment. Household voltage power tools must be monitored and controlled by a Ground Fault Interrupter or more commonly called a G.F.I. Do not use any part of the building's frame as a means of personal support while attaching components during assembly.

## PREPARATION OF BUILDING SITE

This building must be constructed on a **SOLID BASE FOUNDATION**. We recommend a poured concrete pad or large size concrete patio stone squares for a suitable floor and base. Which ever you select...*make sure your foundation area is firm and level and will allow drainage away from the site.* Make your solid base foundation at least 4" (100mm) larger than your building. **Manufacturer is not responsible for the choice and the construction of the foundation.**

**NOTE:** For a concrete pad base, prepare a level bed for a firm footing layer of crushed stone. The concrete pad should then be poured to a thickness of 4" (100mm) to 5" (125mm). When completed, allow to dry thoroughly for at least 48 hours.



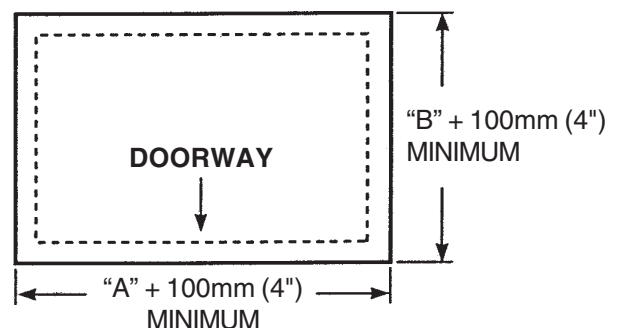
OUTSIDE MEASUREMENTS OF BUILDING AT BASE

MODEL	"A" CM	"A" INCH	"B" CM	"B" INCH
10x8	297.2	117	239.4	94 1/4

## YOUR BUILDING MUST BE ANCHORED

Your building must be firmly anchored to your concrete pad or large concrete patio stone squares...to help protect against damage in high winds.

FURTHER ANCHORING INSTRUCTIONS FOLLOW AFTER ALL WALL AND ROOF PANELS HAVE BEEN INSTALLED.



# Parts List

AAD04

**IMPORTANT...** When ordering parts please provide number stamped on the surface of galvanized parts. In the case of wall and roof panels please provide the model number of the building, color and size of panels.

To order parts please use order form on the last page.

Part Number	Part Description	Quantity 10x8
53H	Side Base Rail	2
73H	Side Base Rail	2
104H	Rear Base Rail	2
102H	Front Base Rail	2
1010H	Entry Ramp	1
106H	Rear Top Rail	2
SP3	Splice Bar	1
527M	Side Top Rail	2
727M	Side Top Rail	2
106H	Door Track	2
1035H	Door Fascia	1
5V72	Corner Post	4
4V72	Splice Post	3
89VS	Door Jamb	2
72V	Panel Stud	6
21V46	Side Panel 115.1cm (45.313")	12
21V57	Rear Panel 143.6cm (56.531")	6
21V26	Front Panel 63.8cm (25.125")	6
*	Center Left Gable	2
*	Center Right Gable	2
*	Left Gable	2
*	Right Gable	2
38	Gable Bracket	2
39	Gable Bracket	4
H516H	Ridge Beam	6
H716H	Ridge Beam	6
1051	Ridge Beam Support Bracket	6
1036M	Roof Strap	4
1018BH	Left Roof End Panel	2
1044BH	Right Roof End Panel	2
*	Roof Panel	6
*	Half Roof Panel	2
820H	Ridge Cover	6
541H	Roof Edge Trim	2
741H	Roof Edge Trim	2
*	Door Panel	2
HC108	Honeycomb Panel	2
1030V	Top & Bottom Door Brace	4
1033V	Horizontal Door Brace	2
A61V	Vertical Door Brace	2
*	Weatherseal Tape	1
*	Weatherseal Squares	1
49H	Ridge Cover End Cap	6
*	Door Handle	2
*	Plastic Washer Tree	4
	Owner's Manual	1
	Hardware Kit Contains (Bolts, Nuts and Screws)	
*	Roof Corner Cap	4
A67	Door Glide	4
48	Door Spacer (2 sets of 2)	4
C14	Spacer	4

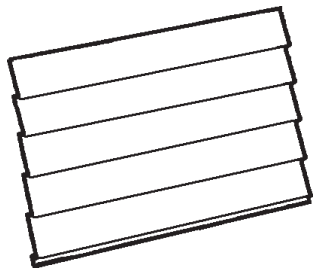
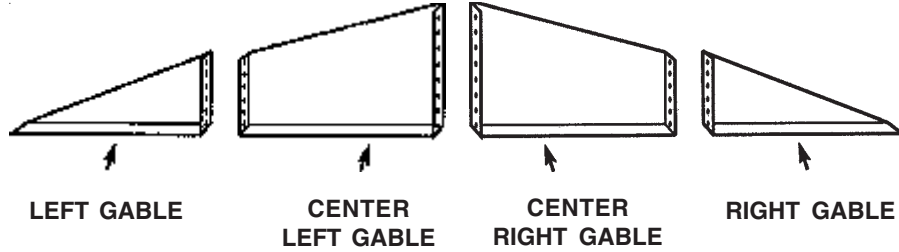
\* Indicates that part number is NOT stamped in the part see illustrations.

\*\* Indicates letter or letters that designates different heights.

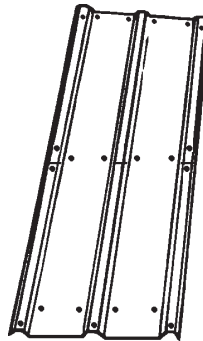
Painted parts may contain a prefix that designates color / material.

# Parts Not Identified with Part Number

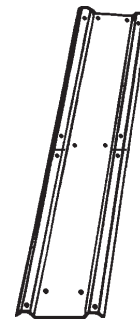
AAD05



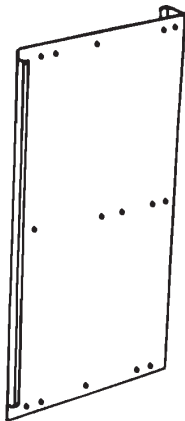
SIDE PANEL 115.1cm (45.313")  
 REAR PANEL 143.6cm (56.531")  
 FRONT PANEL 63.8cm (25.125")



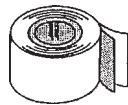
ROOF PANEL



HALF ROOF PANEL



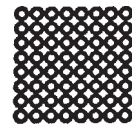
DOOR PANEL



WEATHERSEAL TAPE



DOOR HANDLE

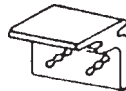


PLASTIC WASHER TREE

## ITEMS in the HARDWARE BAG



ROOF CORNER CAP



DOOR GLIDE  
A67



DOOR SPACER



SPACER

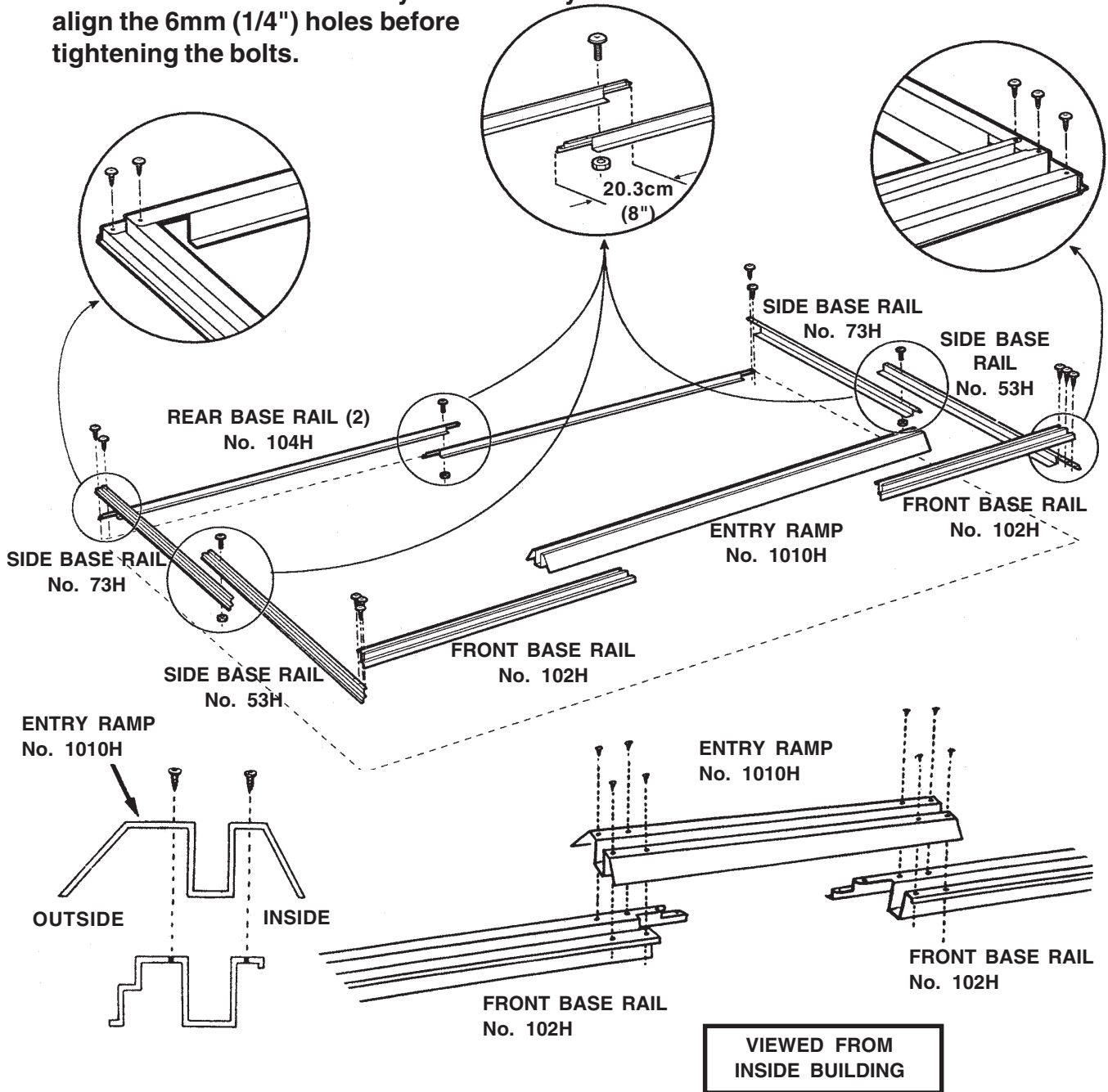
STEP  
**1**

**BASE FRAME ASSEMBLY**

1. Assemble base rails into a base frame by selecting the appropriate parts as shown below.
2. On completion, check base frame for squareness by measuring diagonal corners. **Your measurements must be equal.**

53H	Side Base Rail	2
73H	Side Base Rail	2
104H	Rear Base Rail	2
102H	Front Base Rail	2
1010H	Entry Ramp	1

**IMPORTANT:** When splicing side and rear base rails it is essential that you accurately align the 6mm (1/4") holes before tightening the bolts.



USE SELF TAPPING SCREWS..10mm (3/8") LONG

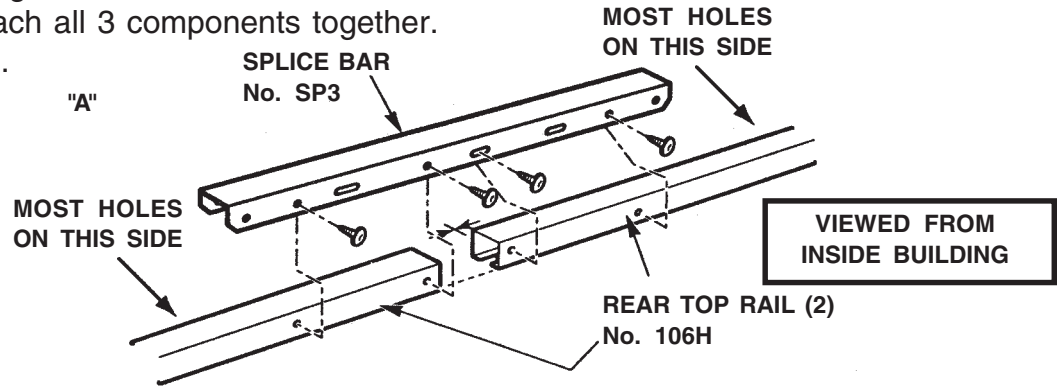
STEP  
**2**

**TOP FRAME ASSEMBLY**

106H	Rear Top Rail	2
SP3	Splice Bar	1
727M	Side Top Rail	2
527M	Side Top Rail	2
106H	Front Top Rail	2
1035H	Door Fascia	1
A67	Door Glide	4

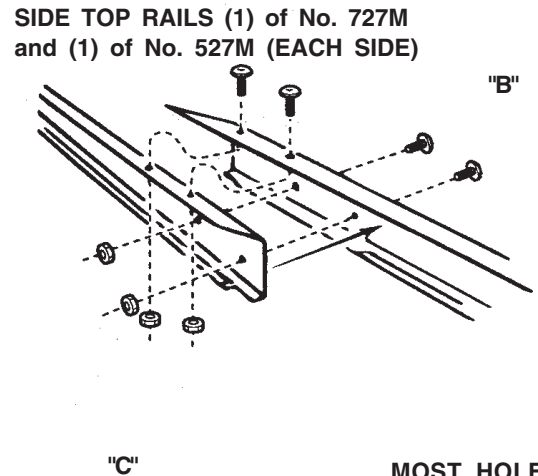
**NOTE...One side of the top rail contains a large number of fixing holes, this side is later required to face the outside of the building. Do not insert any screws in this surface until instructed.**

1. Position splice bar No. SP3 and (2) rear top rails No. 106H into position as shown in illustration "A".
2. Using (4) self tapping screws on the inside surface of the assembly, attach all 3 components together. See illustration "A".

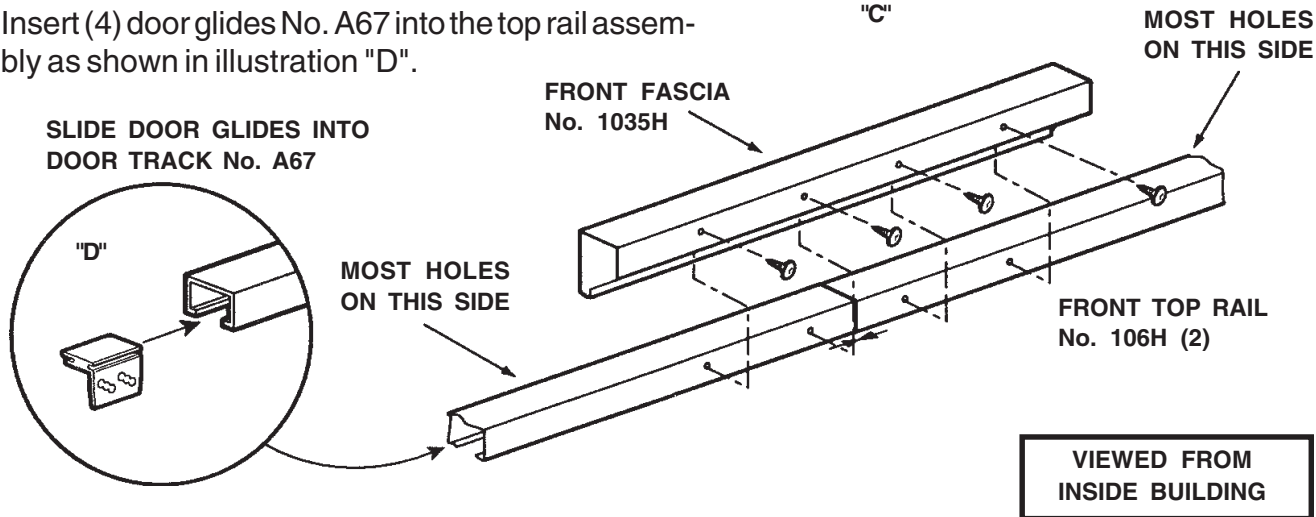


3. Assemble side top rails as shown in illustration "B" using (4) 10mm (3/8") long bolts and nuts at each joint.

**IMPORTANT: When splicing side top rails, it is essential that you accurately align the 6mm (1/4") holes before tightening the bolts.**



4. Position front fascia No. 1035H and (2) front top rails No. 106H into position as shown in illustration "C".
5. Using (4) self tapping screws on the inside surface of the assembly, attach all 3 components together. See illustration "C"
6. Insert (4) door glides No. A67 into the top rail assembly as shown in illustration "D".



STEP  
**3**

**CORNER POSTS AND TOP FRAME ASSEMBLY**

5V72	Corner Post	4
------	-------------	---

1. Fasten corner posts No. 5V72 to the base frame as shown using (2) self tapping screws into the **first fixing hole** on the end of each base rail. See illustration "A" for dimensions.

**NOTE:** Corner posts should be supported until after assembly of the top rails.

2. It is important that you have inserted the (4) door glides No. A67 as shown on previous page, prior to fastening the front top rail assembly into position. Ensure that the flat side of the glide is towards the inside of the building. Position and fix front top rail assembly using (1) self tapping screw in each corner as shown. See illustration "A" for dimensions.

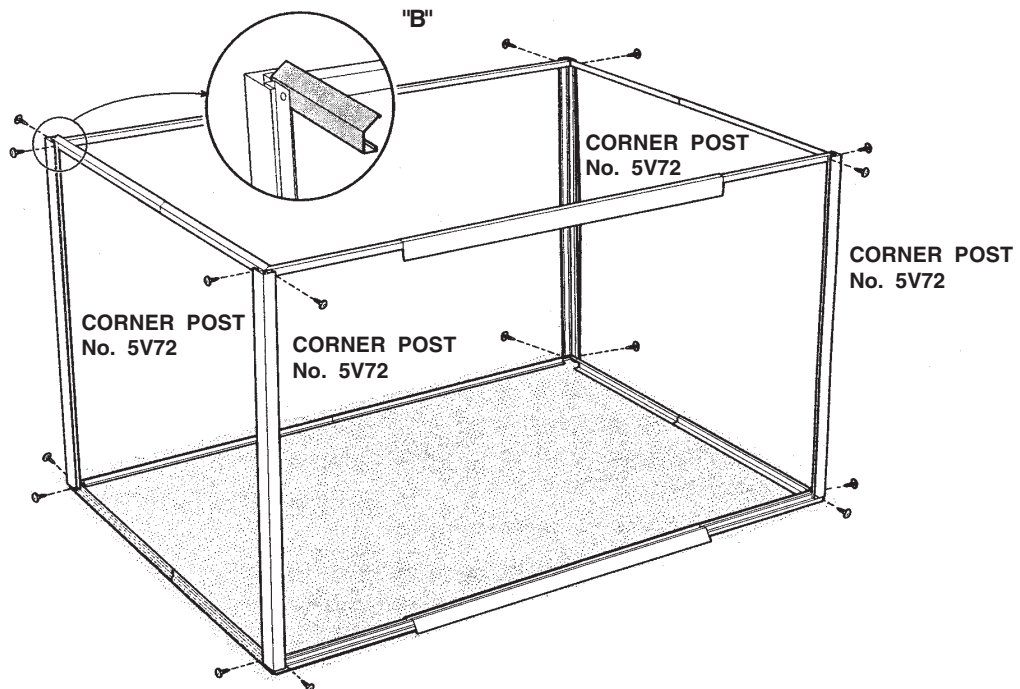
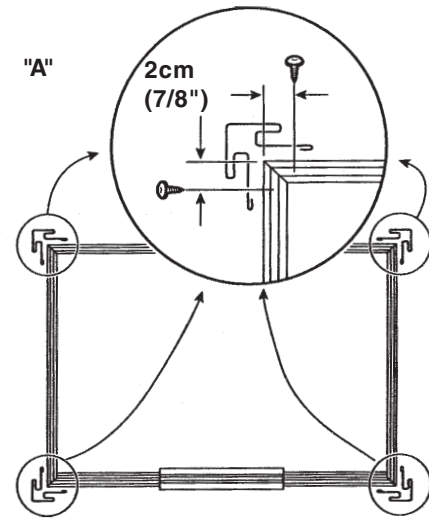
3. Using (2) self tapping screws, attach rear top rail assembly between the (2) rear corner posts.

**NOTE...**Attach rear top rail assembly to corner posts using the **outermost** fixing holes of the rear rail assembly.

4. **INSTALLATION NOTE...**The side top rails must be installed with the longer angled flange facing toward the center of the building. See illustration "B" for details.

Using (2) self tapping screws, attach a top side rail assembly between the front and rear corner posts. (See illustration) Attach top side rail assembly to corner posts using the second from the end fixing holes of the side rail.

Repeat procedure to attach the opposite top side rail assembly.



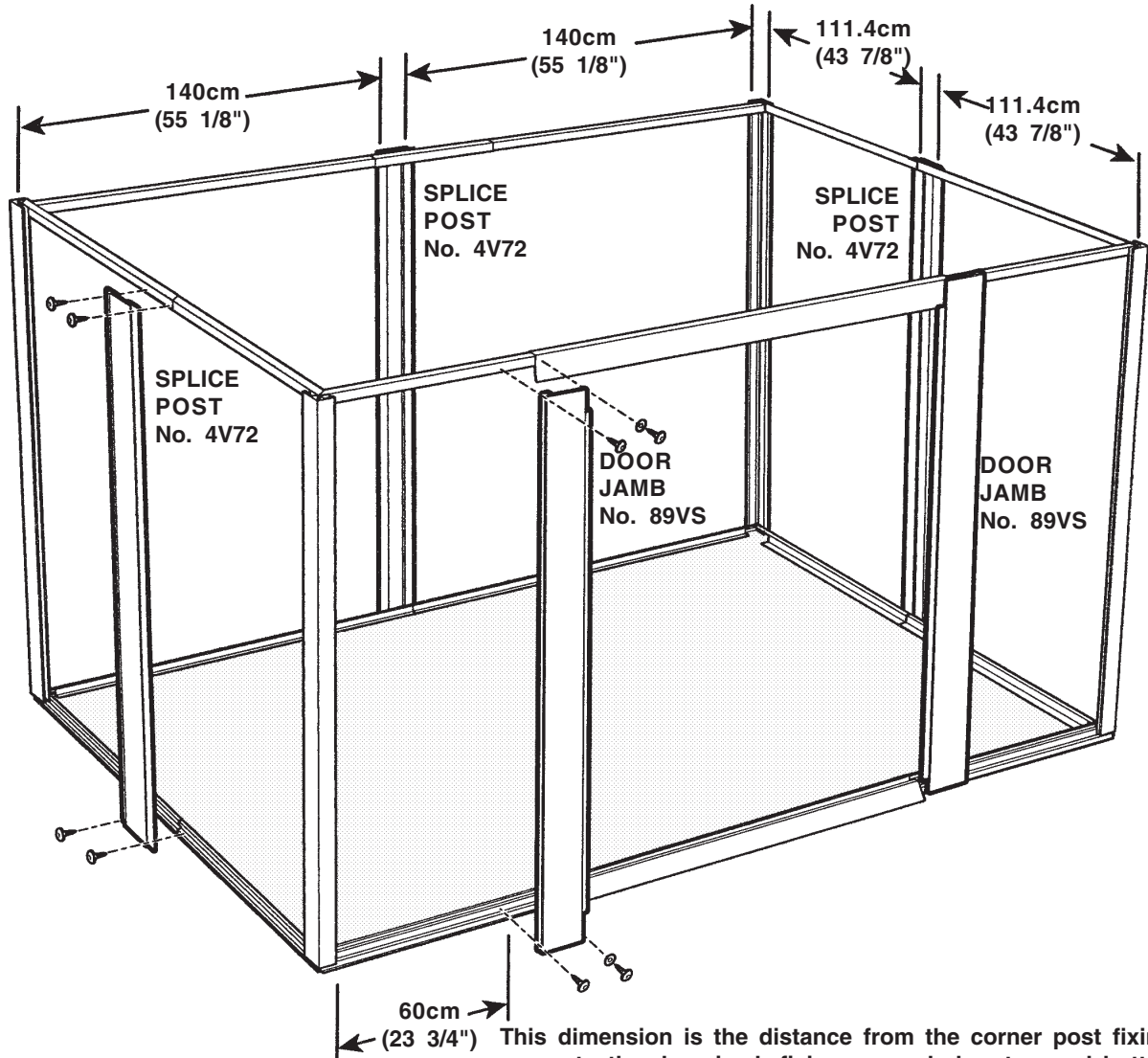


**STEP**  
**4**

**FITTING SPLICE POSTS  
AND DOOR JAMBS**

4V72	Splice Post	3
89VS	Door Jamb	2

1. Position splice posts No. 4V72 at center of each side wall and fasten using (2) self tapping screws at the top and bottom rail.
2. Position splice post No. 4V72 at the center of rear wall and fasten with (2) self tapping screws at top and bottom rail. See illustration below for dimensions.
3. Position a door jamb No. 89VS with notch facing towards center of building and slide one edge under the door fascia. Fasten using (2) self tapping screws and washers where shown at top and bottom rail. Repeat these instructions for second door jamb. See footnote for dimensions.



This dimension is the distance from the corner post fixing screw to the door jamb fixing screw holes, top and bottom. Repeat for other side.

STEP

5

## FIT PANEL STUDS

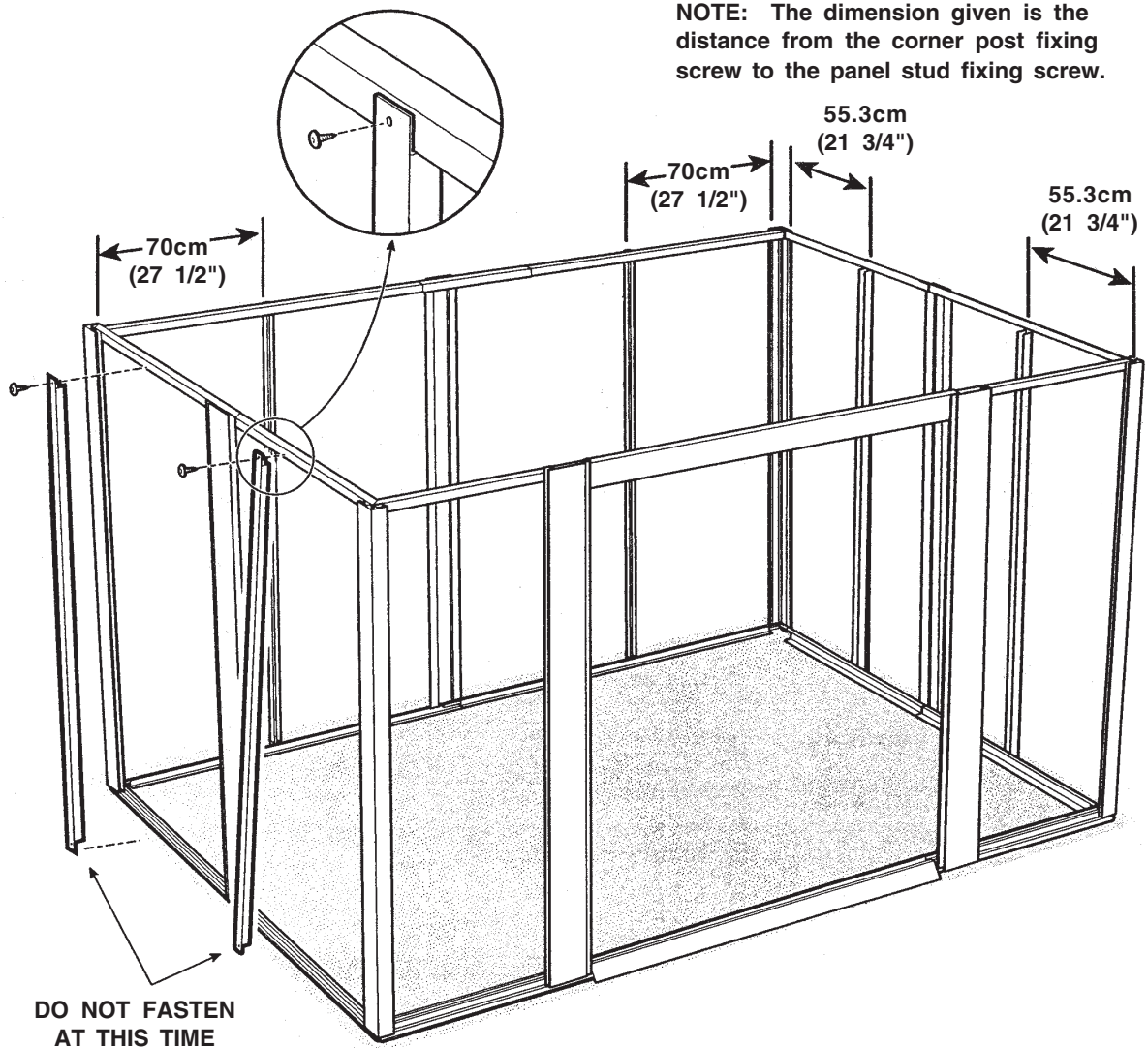
72V

Panel Stud

6

The panel studs provide a mid-panel fixing point.

1. **Using the dimensions provided in the illustration,** attach a panel stud No. 72V to the outside top frame and fasten with a self tapping screw. Do not fully tighten at this time as this screw will later fix both the panel and stud to the top rail.
2. Position bottom flange on the outside of the base rail. Do not fasten at this time. Repeat the above instructions for the remaining 5 studs.



STEP

6

## INSERTING SIDE PANELS

21V46

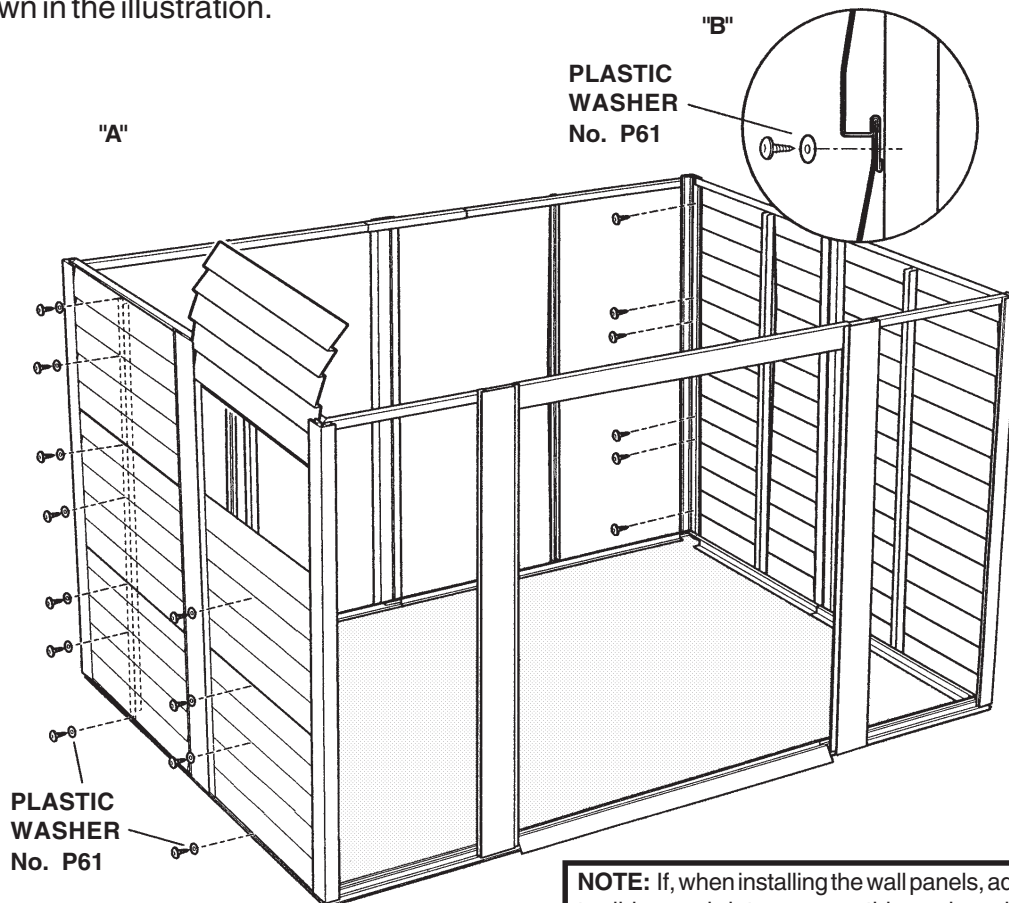
Side Panel

12

**Plastic washers must be used on all exterior panel screws.**

INSTALLATION TIP: When inserting panels into position between the corner and splice posts, you will find the panel will enter more readily if you allow the weight of the panel to fall towards the inside of the building. You and your assistant can now work each side of the panel evenly into position.

1. Slide side panel No. 21V46 into the grooves of the corner and splice posts. See illustration "A" for the correct method of installing panels. Slide the first panel to the bottom of the wall, **aligning the panel stud No. 72V fixing hole with the fastening hole in the wall panel and base rail**. Fasten using self tapping screw and washer. Using self tapping screw and washer fasten side panel to the panel stud through the center position hole.
2. Slide second panel into the wall ensuring that the top edge of the lower panel fits into the groove on the bottom edge of the panel above. See illustration "B"
3. **Before installing the top wall panel you must remove the self tapping screw from the upper fixing hole of the panel stud No. 72V where it joins the top rail.** This screw with washer will now fix the panel and stud to the top rail.
4. Continue to install the remaining side panels using the above instructions. When completed, each panel stud should have a total of (7) self tapping screws and washers.
5. From the inside of the building attach side panels to the corner posts using (6) self tapping screws as shown in the illustration.



**NOTE:** If, when installing the wall panels, adjustment is required to slide panels into grooves, this can be achieved by loosening the screws in the corner and splice posts and adjusting.

STEP

**7****INSERTING FRONT AND REAR PANELS**

21V57

Rear Panel

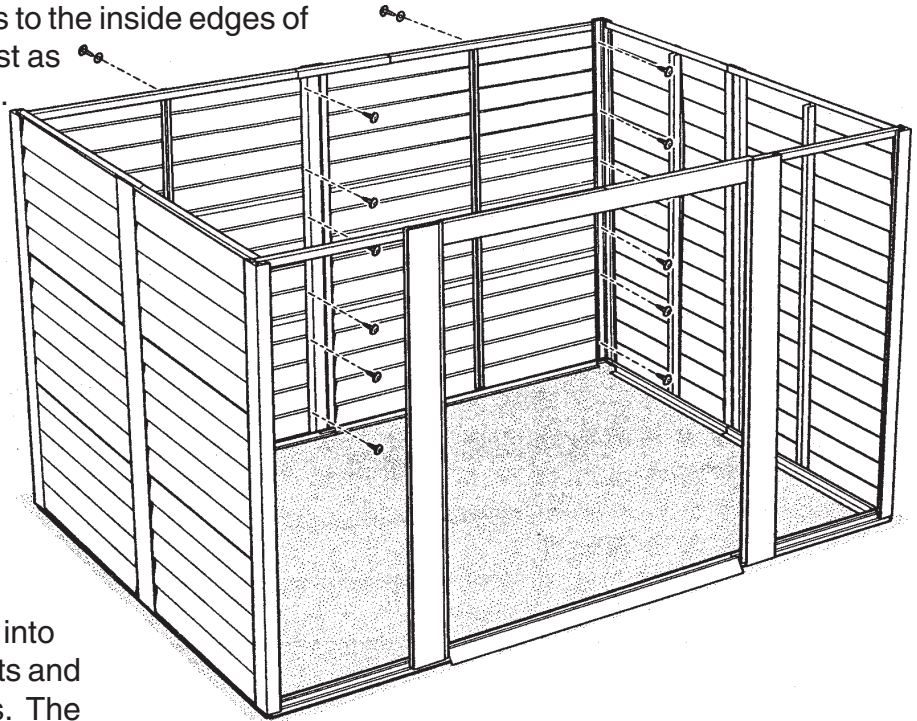
6

21V26

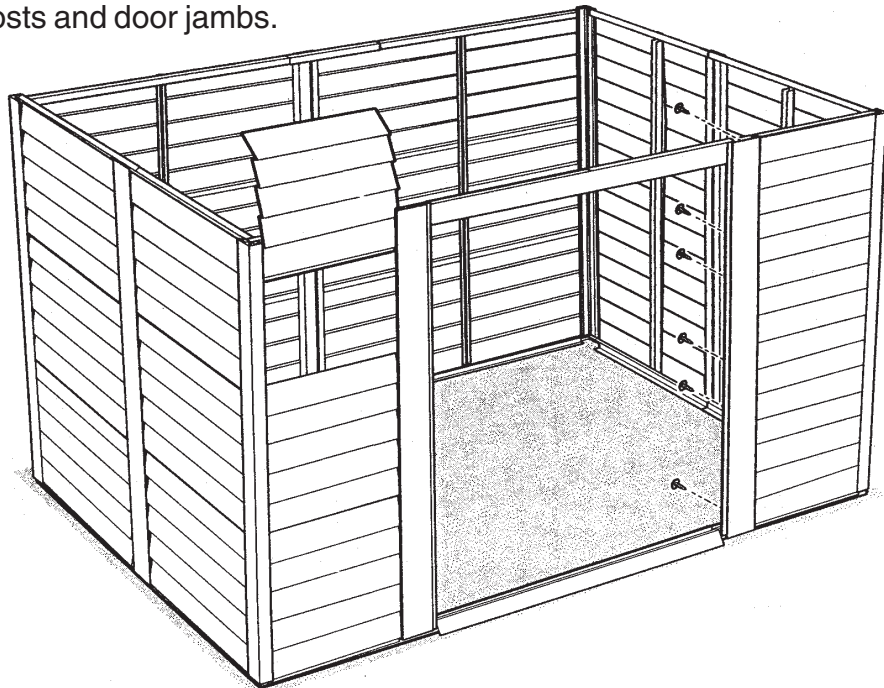
Front Panel

6

1. Using the same method of installation as described in the previous step, install the rear wall panels No. 21V57.
2. From the inside of the building, using (6) self tapping screws, attach the wall panels to the inside edges of the splice post and corner post as shown in the illustration below.



3. Install front panels No. 21V26 into the grooves of the corner posts and the grooves of the door jambs. The front wall panels are attached from the inside of the building using (6) self tapping screws through the fixing holes provided on each side of the corner posts and door jambs.

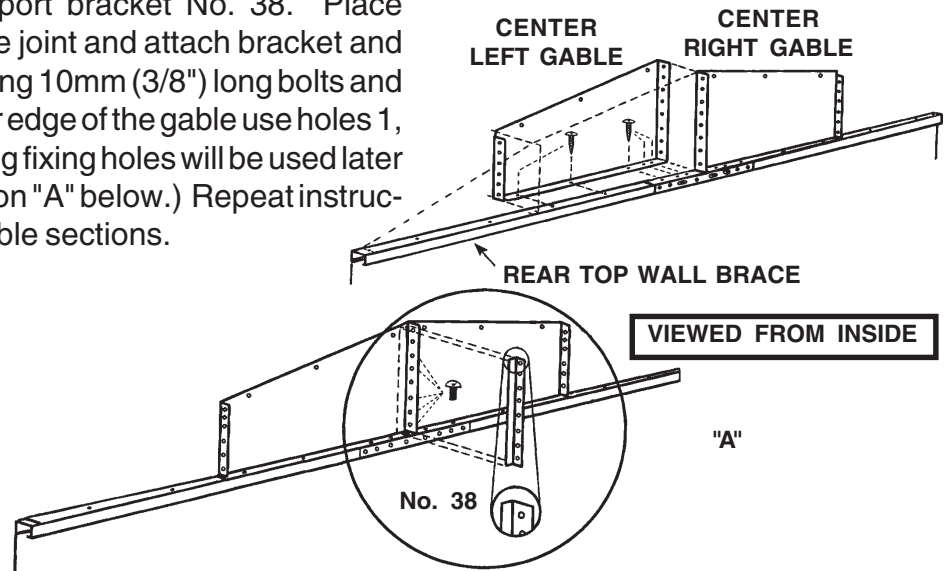


STEP

**8****CENTER GABLE INSTALLATION**

1. Select left and right center gables. Starting at the center of the rear top rail, attach center gable sections to rear top rail, attach gables using 10mm (3/8") long self tapping screws at location where fixing holes align with those of the upper surface of the top rail.
2. Select a ridge beam support bracket No. 38. Place bracket on left side of gable joint and attach bracket and gable sections together using 10mm (3/8") long bolts and nuts, starting from the lower edge of the gable use holes 1, 2, 3, 5, 6 only. The remaining fixing holes will be used later in assembly. (See illustration "A" below.) Repeat instructions to attach opposite gable sections.

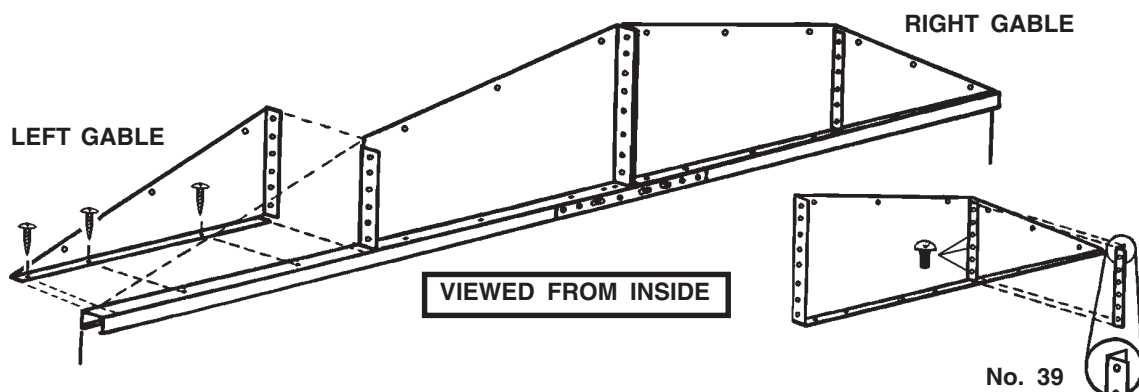
*	Center Left Gable	2
*	Center Right Gable	2
*	Left Gable	2
*	Right Gable	2
38	Gable Bracket	2
39	Gable Bracket	4



STEP

**9****OUTER GABLE INSTALLATION**

1. Select outer left and right gable sections. Attach left outer gable section alongside previously fitted center left gable, secure outer gable to the rear top rail with 10mm (3/8") long self tapping screws where fixing holes align. Attach right hand outer gable in a similar manner.
2. Select one of the shorter ridge support brackets No. 39 and position against the joint of the center and outer gable, attach bracket and gable sections together using 10mm (3/8") long bolts and nuts placed in fixing holes (counting from lower edge of gable) 1, 3, 4. The remaining fixing holes will be used later in assembly. Attach a second support bracket to the opposite gable joint. (See illustration)



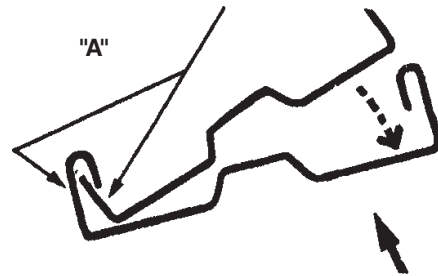
STEP  
**10**

**MAIN AND SECONDARY RIDGE BEAM ASSEMBLY**

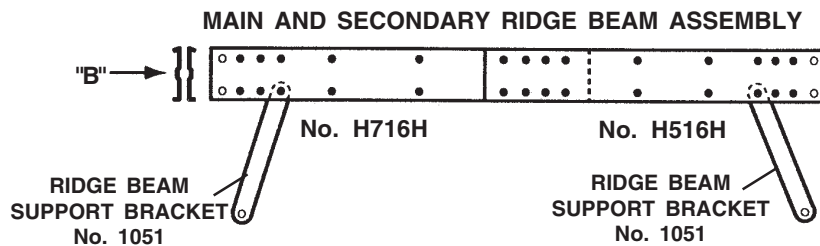
1. To combine the **main ridge beam**...select 2 pieces No. H516H (1) and H716H (1) that combine (when lapped) to make the proper length for your building.
2. Lay pieces on hard surface. Position one end (with flange cut out---**See "A" and note small holes position**) into the second piece (at the end with the full flange---**See "A" and note small holes position**). Align holes in beams --- then step on raised edge to snap top beam into place. Tap beams into place to align holes if necessary.
3. Assemble another set in same manner and fasten the 2 sets together with bolts and nuts as per "B". Attach (2) ridge beam support brackets No. 1051 as shown.
4. To make the **secondary ridge beam**...use the same length combinations to assemble 4 separate sets...as per 1, 2 and 3 above. See "B"

H516H	Main Ridge Beam	2
H716H	Main Ridge Beam	2
H516H	Secondary Ridge Beam	4
H716H	Secondary Ridge Beam	4
1051	Ridge Beam Support Bracket	6

**NOTE-SMALL HOLES ON BOTH THESE FLANGES.**



**USE 10mm (3/8") LONG BOLTS AND NUTS**

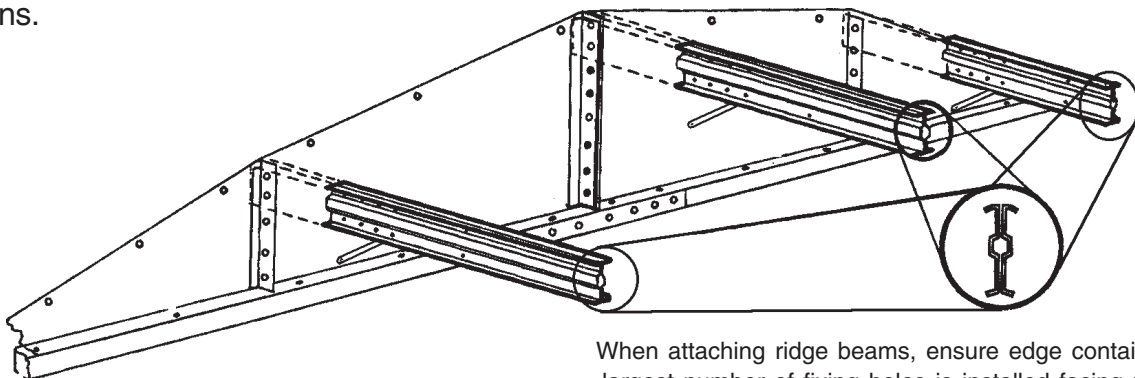


**NOTE-USE BOLTS AND NUTS ONLY IN HOLES MARKED WITH BLACK DOT.**

STEP  
**11**

**RIDGE BEAM INSTALLATION**

Select a previously assembled ridge beam. Note the edge of the ridge beam containing the most fixing holes, ensure the edge faces upward when the ridge beam is installed. Using a ladder with the assistance of a helper, position ridge beam onto uppermost join of the center gables. Insert gable joint between the ridge beams at either end. Attach ridge beams to gable sections using 10mm (3/8") long bolts placed through the outermost fixing holes of the ridge beams passing through the top two vacant holes of the center gables, attach secondary ridge beams in the same manner, again using 10mm (3/8") long bolts through the top two vacant fixing holes of the outer gable sections.



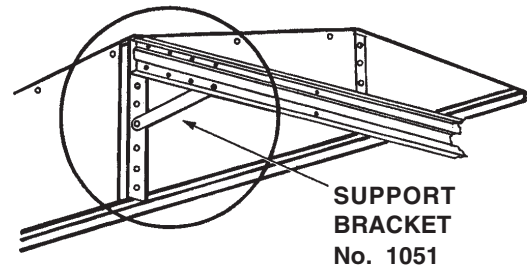
When attaching ridge beams, ensure edge containing the largest number of fixing holes is installed facing upward.

STEP

**12****RIDGE BEAM SUPPORT BRACKETS**

1. Attach each ridge beam support bracket No. 1051 to the vacant fixing hole remaining in each gable joint. Repeat instructions to attach remaining support brackets.

1036M	Roof Strap	4
1018BH	Left Roof End Panel	2
1044BH	Right Roof End Panel	2



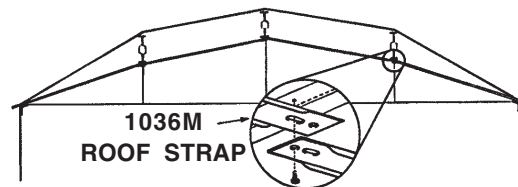
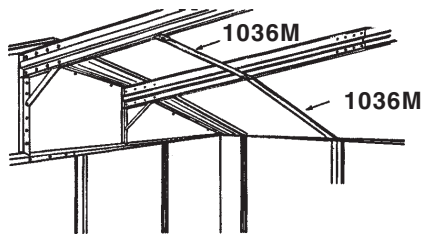
STEP

**13****ROOF STRAP INSTALLATION**

1. From the chart on page 4 select the required number of roof straps No. 1036M for your building size. **NOTE**...Building size 10x8 require the roof straps to be attached near the joint of the two ridge beam sections. (See illustration)
2. Using a 10mm (3/8") long self tapping screw attach one end of roof strap to the lower edge fixing holes of the center ridge beam. Extend roof strap across to lower edge fixing holes of secondary ridge beam, overlap a second roof

strap, and secure both straps to the secondary ridge beam. Extend second roof strap across to side top rail, ensure fixing holes of roof strap align with those of the top rail. **DO NOT ATTACH AT THIS TIME**...roof straps are required to be attached when the roof panels are being installed. (See illustration)

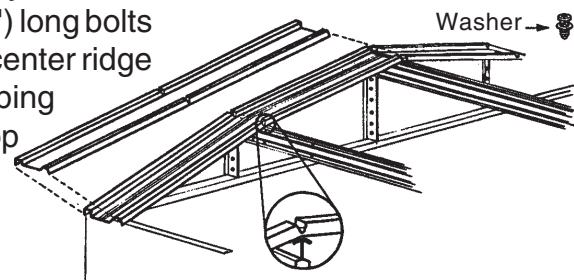
**NOTE**...Only attach roof straps to top rail when fitting roof panels. Later instructions require you to secure roof panels and roof straps to the side top rail using 10mm (3/8") long self tapping screws and washers.



STEP

**14****ROOF END PANEL INSTALLATION**

1. Select left and right roof end panels No. 1018BH and No. 1044BH.
2. Position roof end panels from center ridge beam passing over secondary (outer) ridge beams. **NOTE**...Each roof panel has a number of bend cutouts, these cutouts must be positioned over the secondary ridge beams.
3. Align fixing holes with those of the center gable, bend roof panel at notched cutouts allowing panel to follow the contour of the outer gable section. **Note**...A plastic washer is required to be fitted to all bolts and screws prior to them being fitted to any roof section.
4. Attach roof end panels to gables using 10mm (3/8") long bolts and nuts and washers. Attach end roof panels to center ridge beam fixing holes using 10mm (3/8") long self tapping screws and washers. Attach roof end panels to top side rail using 10mm (3/8") long self tapping screws and washers. (See illustration)



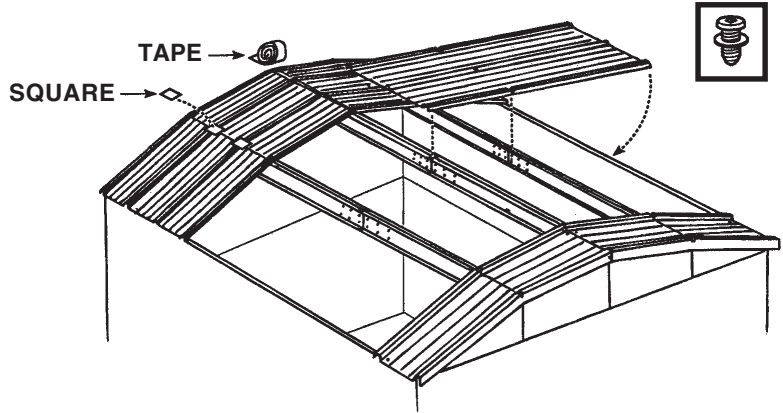
STEP  
**15**

**ROOF PANEL, WEATHERSEAL AND INSTALLATION**

*	Roof Panel	6
*	Half Roof Panel	2
820H	Ridge Cover	6

1. From the chart on page 4 select the required number of roof panels for your model building. **NOTE**...some building models may also require a half roof panel. Install half panels towards the rear of the building. **NOTE**...Ensure the notched cutouts in each of the roof panels are placed over the secondary ridge beams.
2. Starting from a rear corner of the building, attach roof panels on alternate sides of the building. (See important note.) Bend each panel downward at the notched cutout position over the secondary ridge beam. Overlap the raised flange section of the previously fitted panel with the panel being installed. Attach roof panels to both center and secondary ridge beams, as well as, the top side rail (ensure roof straps are secured at this time), use 10mm (3/8") long self tapping screws and washers through all fixing holes provided. (See illustration)

**IMPORTANT NOTE**...As you proceed across the roof installing roof panels on alternate sides of the building, apply weatherseal tape lengthwise across the center join of the roof panels, weatherseal squares are also to be attached to the bend cutouts of each roof panel. **NOTE**...Only apply weatherseal tape to a clean, dry and dust free surface, apply only when temperature is between 13°C (55°F) and 22°C (70°F). Ensure all edges of tape are sealed tightly down to roof panels.



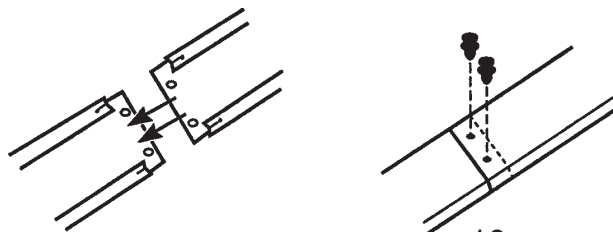
STEP  
**16**

**RIDGE BEAM COVER ASSEMBLY**

SIZE	RIDGE BEAM COVER COMBINATION ORDER	
10x8	820H	820H

1. Select the required number of ridge beam covers sections for your model of building. **NOTE**...Your building requires 3 completed ridge cover assemblies.
2. Assemble sections together by inserting one beam section inside another section, attach sections together using 10mm (3/8") long self tapping screws and washers through the fixing holes provided. (See illustration)

**TURN UPSIDE DOWN TO ASSEMBLE THEN HANDLE CAREFULLY AFTER ASSEMBLY**



**USE SELF TAPPING SCREWS... 10mm (3/8") LONG WITH WASHERS**

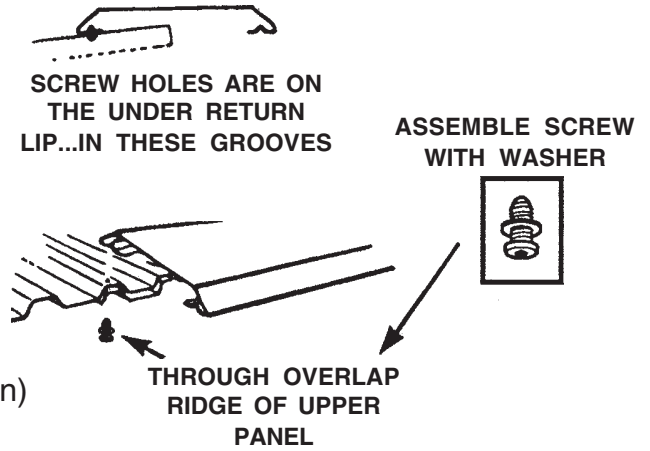


STEP  
**17**

**RIDGE BEAM COVER INSTALLATION**

1. With assistance from a helper, carefully position one of the assembled ridge beam covers over the center ridge beam joint. Arrange for an assistant on the outside of the building (while standing on a ladder) to position and apply downward pressure to the ridge cover. From the inside of the building, starting from the far gable end of the building, attach ridge cover using 10mm (3/8") long self tapping screws and washers through the fixing holes provided in the roof panels next to each ridge beam. **NOTE**...The self tapping screws go through to the outer return lip of the ridge beam cover assembly. Repeat instructions to attach the two remaining ridge cover assemblies. (See illustration)

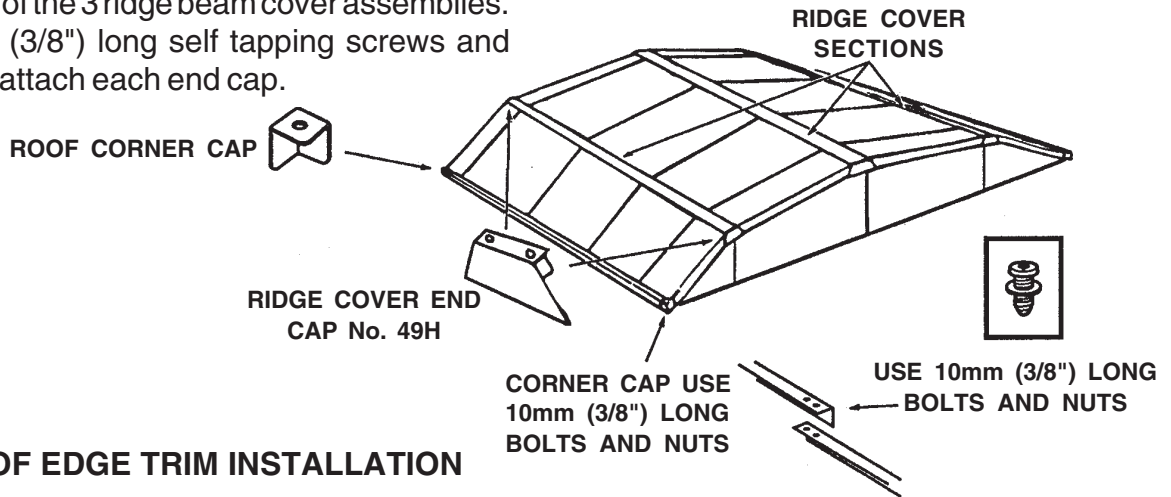
49H	Ridge Cover End Cap	6
541H	Roof Edge Trim	2
741H	Roof Edge Trim	2
	Roof Corner Cap	4



STEP  
**18**

**RIDGE END CAP INSTALLATION**

1. Select 6 ridge cover end caps No. 49H. Attach one to each end of the 3 ridge beam cover assemblies. Use 10mm (3/8") long self tapping screws and washers to attach each end cap.



STEP  
**19**

**ROOF EDGE TRIM INSTALLATION**

1. Select the required number of roof edge trim sections for your model of building. Attach one section at a time. Attach edge trim using the holes provided on the outer edge of each roof panel using 10mm (3/8") long bolts, nuts and washers. **NOTE**...Do not tighten fixing bolts at this time.
2. When required to join sections of roof edge trim, overlap ends of previously fitted section with section to be joined. Bolt both edge trim sections and roof panel together using a 10mm (3/8") long bolts, nut and washer. **Do not tighten roof edge trim fasteners.**
3. From the hardware pack select 4 roof corner caps. Remove the 4 previously installed corner bolts. Attach a roof corner cap to ends of each roof edge trim. Attach corner cap, edge trim to the roof panel by refitting the 10mm (3/8") long bolts and nut.

SIZE	ROOF EDGE TRIM COMBINATION ORDER	
10x8	741H	541H

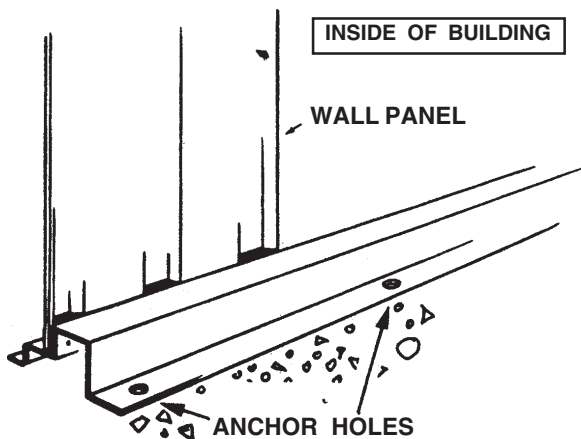
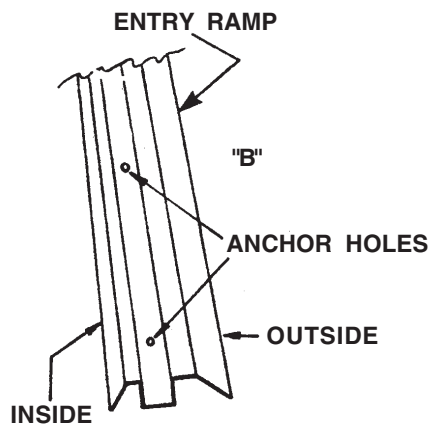
**TIGHTEN ALL ROOF EDGE TRIM FASTENERS.**

STEP

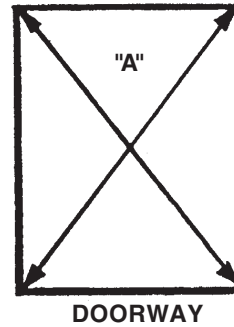
20

## COMPLETE THE ANCHORING OF YOUR BUILDING NOW! YOUR BUILDING MUST BE ANCHORED!

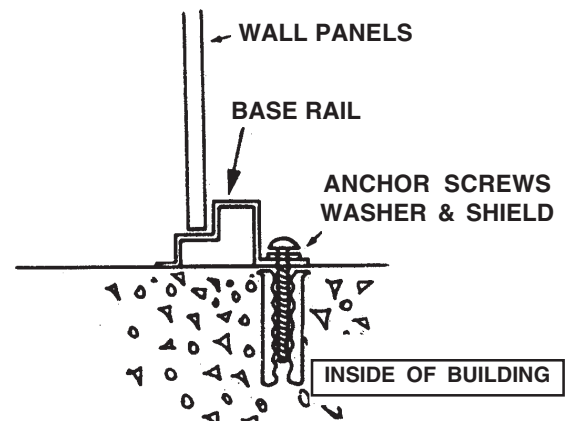
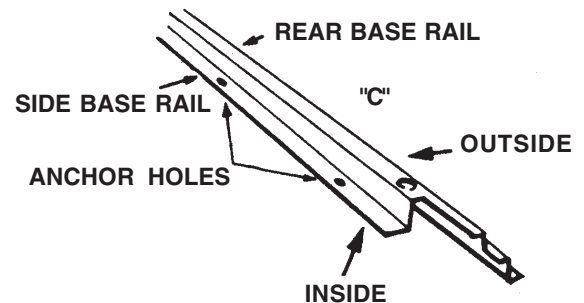
1. Check building position on concrete base and adjust to original planned position.
2. Carefully position base frame in the center of solid base foundation --- to allow at least 100mm (4") of solid base outside the frame.
3. Check base frame for squareness by measuring diagonal corners. Your measurements should be equal! See "A"
4. Inside your base frame...there are 6mm (1/4") holes in the entry ramp and on the inside flange of the front, side and rear base rails. **These are anchor holes**...for installation of anchor screws into the concrete or patio stones. See "B" and "C"
5. When your base frame is square...use a black felt pen to mark location of anchor hole center on the concrete. **Mark for all anchor holes.**
6. With an electric drill and a Carbide Bit (Check size to suit anchor shield)...drill proper holes into concrete at each mark.
7. Insert anchor shields into each hole.
8. Fasten all base rails to concrete with anchor screws.



**NOTE:** Anchor screws, washers and shields are **NOT** supplied as part of the hardware package and may be purchased at your local store. You will require 20 No. 10 concrete anchor screws 38mm (1 1/2") long with washers and expansion shields **PLUS** a Carbide Bit to suit.



ANCHOR SCREWS  
WASHER & SHIELD



### IMPORTANT

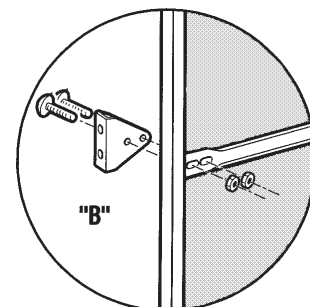
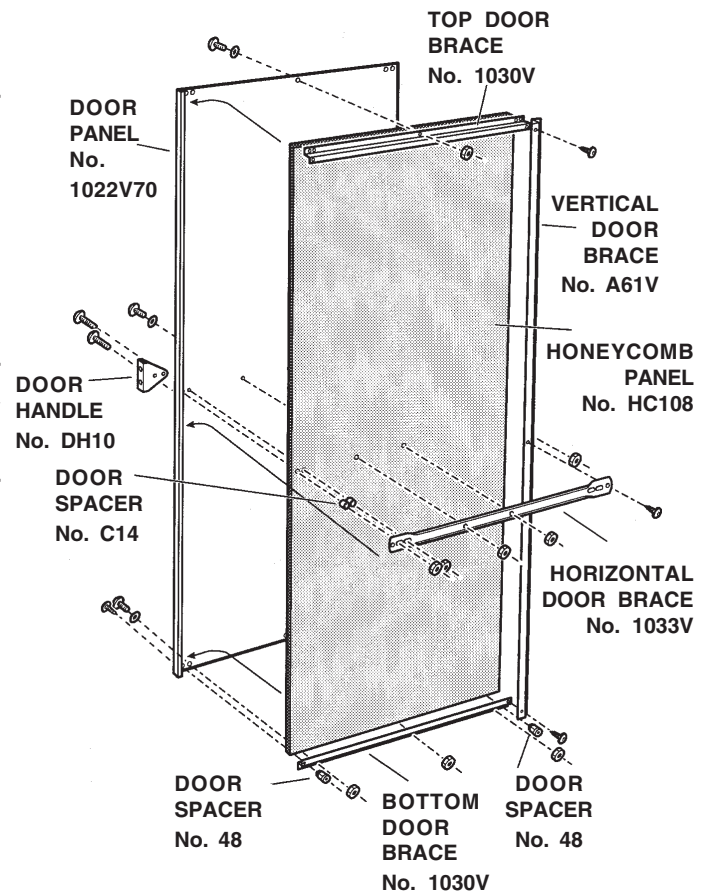
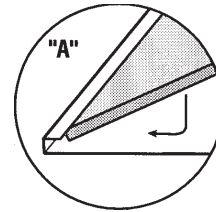
This building is designed to withstand normal wind loads when installed according to instructions. Manufacturer cannot be held responsible for any consequences due to buildings that are not installed per instructions or for damage due to any weather conditions or acts of God.

**STEP**  
**21**

**DOOR ASSEMBLY**

1022V70	Door Panel	2
HC108	Honeycomb Panel	2
1030V	Top and Bottom Door Brace	4
1033V	Horizontal Door Brace	2
A61V	Vertical Door Brace	2
C14	Door Spacer	4
DH10	Door Handle	2
48	Door Spacer	4

1. Lay a door panel on a flat clean surface. With the honeycomb panel at an angle to the door, wedge its edge under the lip of the door panel. See illustration "A" Push the honeycomb down and securely under the lip of the door panel. Position vertical door brace No. A61V and attach using a 10mm (3/8") bolt, nut and washer through the center fixing hole. Do not tighten at this time.
2. Fit bottom door brace No. 1030V using (3) 10mm (3/8") bolts, nuts and washers through the inner holes of brace and door panel ensuring that the lip of the door brace is over the edge of the door panel. Using (2) self tapping screws fit (2) No. 48 spacers through the outer holes of the braces and door panels.
3. Fit top door brace 1030V using (1) 10mm (3/8") bolts, nuts and washers through center hole.
4. Gently force the door handle mounting screws through the honeycomb panel to provide a guide on the inside surface. You should place your hand on the honeycomb panel to avoid tearing a larger hole than necessary on the inside surface. From the inside of the door panel, use a screwdriver to enlarge the screw mounting holes only to a size that will accept the door spacers No. C14. Position the door spacers No. C14 in the areas created. Position horizontal door brace No. 1033V under lip of door panel and line up holes. Using (2) 25mm (1") truss bolts and nuts fit door handle through door panel, honeycomb, spacers No. C14 and brace No. 1033V as shown in illustration "B".
5. Fit brace No. 1033V to brace No. A61V using a self tapping screws. Fit top and bottom braces using self tapping screws. Using (2) 25mm (1") truss bolts, nuts and washers secure brace No. 1033V through honeycomb to door panel. Tighten all screws and bolts ensuring that the top edge of the door panel is covered by the lip of the top door brace.
6. **REPEAT INSTRUCTIONS FOR OTHER DOOR**

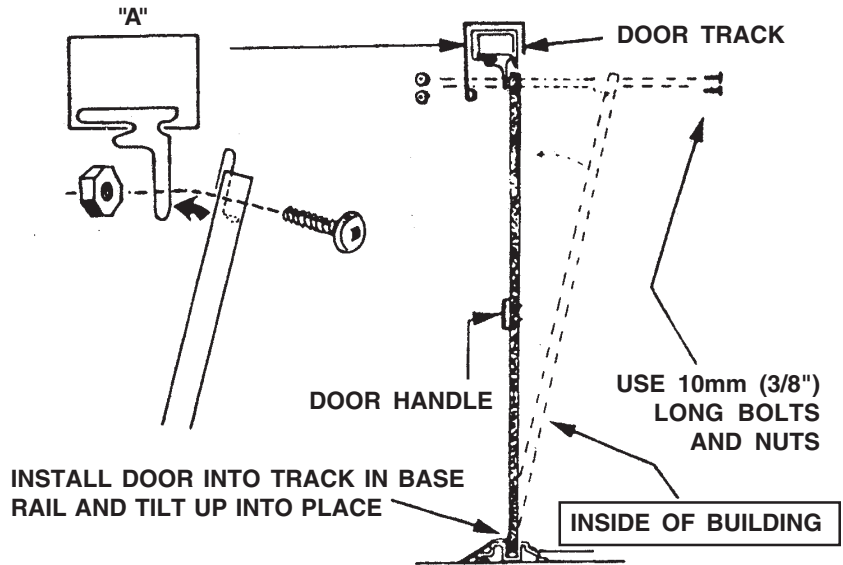


STEP

22

**DOOR INSTALLATION  
(FROM INSIDE)**

1. Inside and near the corner of building, install bottom lip of left door into track formed in base rail.
2. Position top of door so that holes in door line up with CENTER holes in door glide. Fasten door glides to door with 10mm (3/8") long bolts and nuts from **THE INSIDE**. See "A"
3. Install right hand door in the same manner.



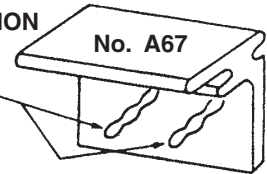
STEP

23

**DOOR ADJUSTMENT (FROM INSIDE)**

1. Close doors to see if they meet squarely. There are 3 holes in each of the door glides to raise or lower doors as required for a square fit.

ADJUST BOLT LOCATION  
IN THESE 3 HOLES  
FOR SQUARE FIT



## CARE AND MAINTENANCE

- **Finish:** For long lasting finish, periodically clean and wax the exterior surface. Touch up scratches as soon as you notice them on your building. Immediately clean the area with a wire brush; wash it and apply touch up paint per manufacturer's recommendation.
- **Roof:** Keep roof clean of leaves and snow with long handled, soft bristled broom. Heavy amounts of snow on roof can damage the building making it unsafe to enter.
- **Doors:** Keep doors closed to prevent wind damage.
- **Fasteners:** Regularly check your building for loose screws, bolts, nuts, etc. and retighten them as necessary.
- **Moisture:** With changing temperatures, condensation can accumulate inside the building.
- **Other Tips:** A non-corrosive caulking is helpful to seal the building.

Do not store swimming pool chemical in your building. Combustibles and corrosives must be stored in airtight containers.

**REPLACEMENT PARTS OR ANY QUESTIONS REGARDING YOUR BUILDING SHOULD BE REFERRED DIRECTLY TO CUSTOMER SERVICE. DO NOT CONTACT YOUR DEALER, THEY ARE NOT EQUIPPED TO SERVICE YOUR REQUESTS AS PROMPTLY AS THE CUSTOMER SERVICE DEPARTMENT (1-800-851-1085).**

**PARTS REPLACEMENT ORDER FORM**

---

<b>** MODEL NO. _____ **</b>			NAME: _____		
<b>Parts Required</b>	<b>PART NO.</b>	<b>QTY.</b>	<b>COLOR</b>	ADDRESS: _____	
				CITY: _____ PROVINCE/STATE: _____	
				POSTAL CODE/ZIP: _____ TELEPHONE: _____	
				PURCHASED FROM: _____	
				STORE ADDRESS: _____	
				DATE PURCHASED: _____	
FOR PARTS REPLACEMENT PLEASE CONTACT CUSTOMER SERVICE DEPARTMENT. TELEPHONE NO. (1-800-851-1085)					

**or Mail To: 3069 Wolfedale Road  
Mississauga, Ontario L5C 1V9**