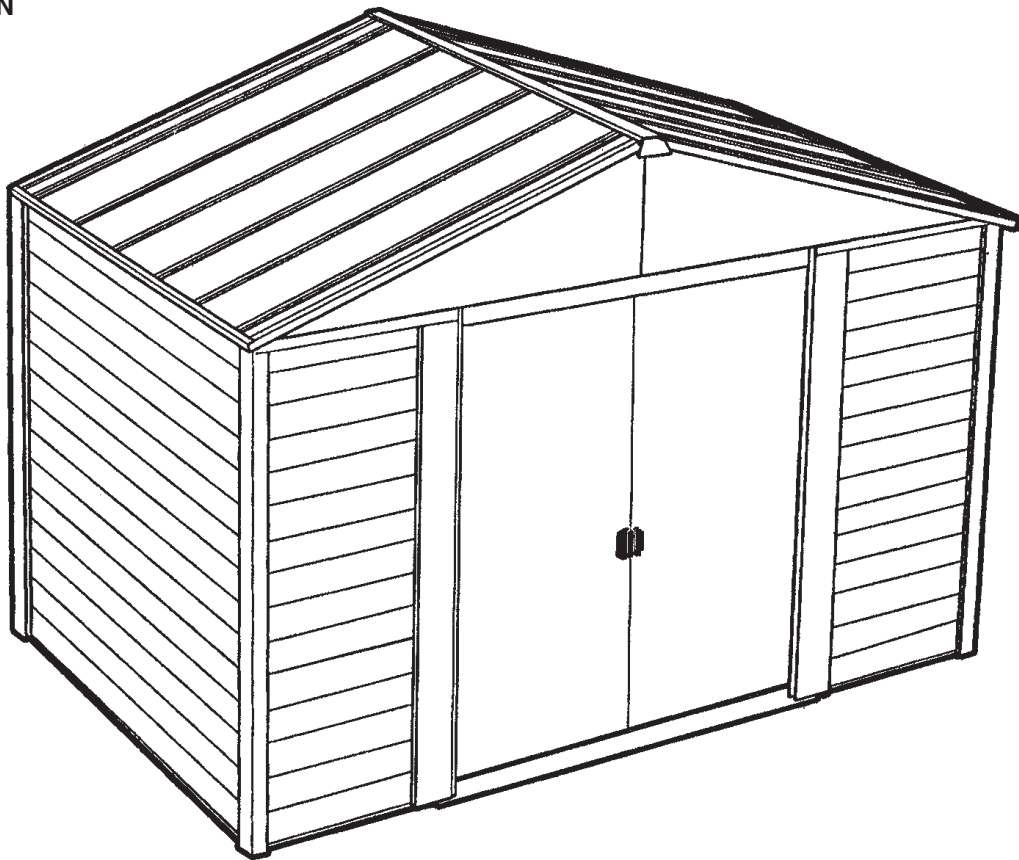


ASSEMBLY INSTRUCTIONS FOR MODEL EVA86-A

AAH01



100% CANADIAN



CAUTION: Some parts have sharp edges. Care must be taken when handling the various pieces to avoid a mishap. For safety sake, please read the safety information provided in this manual before beginning construction. Wear gloves when handling metal parts.

VERSION FRANÇAISE AU DOS

CONTENTS

- Pre-construction instructions
- Assembling the building
- Anchoring the frame
- Parts List and order information

PROCEED WITH CONFIDENCE

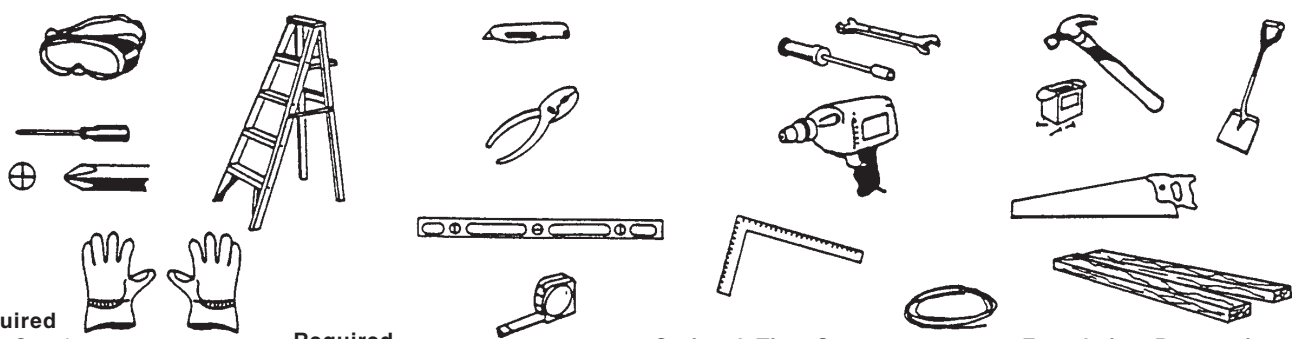
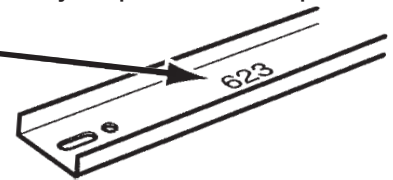
It might look complicated when you first unpack your building...but it really isn't. Simply follow the illustrated instructions and your building will go up quickly and accurately.

ASSEMBLY INSTRUCTIONS

- **Before beginning construction**...check local building codes regarding footings, location and other requirements. Study and understand the owner's manual.
- **You will need assistance**...you'll find that another person will speed the job and make assembly easier.
- **Selecting your site**...choose an area that's firm and level yet allows drainage away from site.

WARNING! ... DO NOT ERECT YOUR BUILDING IN AREAS THAT ARE SUBJECTED TO HIGH WINDS, OR ERECT ON A WINDY DAY. ANY BUILDING LEFT PARTIALLY CONSTRUCTED MAY BE SERIOUSLY DAMAGED IF LEFT IN THIS STATE.

- **Sort and separate all parts and hardware**...checking with the Parts List on Page 4 and the illustrations on Page 5...be sure you have all parts and know where they belong in the building. Each part has been numbered or illustrated, the quantity required and its part number noted.
- **Follow step-by-step instructions carefully**...complete each step before going onto the next one.
- **Retain this manual after assembly is completed**...it contains a complete parts list.



Required

- Eye Goggles
- No. 2 Phillips Screwdriver (with Hardened Magnetic Tip)
- Work Gloves
- Step Ladders

Required

- Utility Knife / Scissors
- Pliers
- Carpenter's Level
- Tape Measure

Optional Time-Savers

- Wrench / Nut Driver
- Electric / Cordless Drill
- Square
- String (for squaring frame)

Foundation Preparation

- Hammer and Nails
- Spade or Shovel
- Hand Saw / Power Saw
- Lumber and/or Concrete

BUILDING CARE

- **Carefree maintenance** – Your building has been designed to give you years of carefree service. All parts have been precision engineered for a perfect fit. It is manufactured from heavily galvanized steel with exterior parts pre-enameled on both sides at the steel mill.
- **IMPORTANT** – This building is designed to withstand normal wind loads when installed according to instructions. Manufacturer cannot be held responsible for any consequences due to buildings that are not installed per instructions or for damage due to weather conditions or acts of God.

IMPORTANT

G03

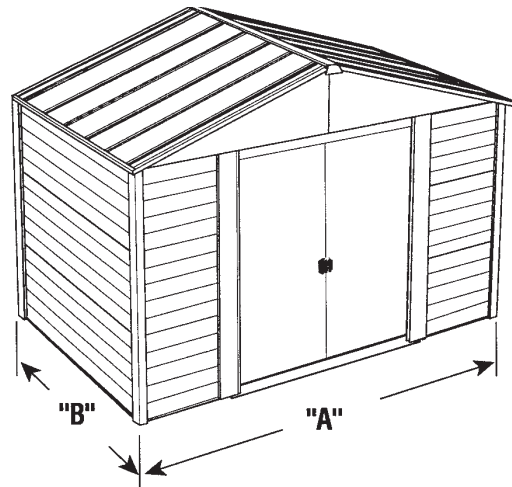
PERSONAL SAFETY DURING BUILDINGS CONSTRUCTION

Some of the building components may contain sharp edges prior to assembly. Wear protective work gloves while handling these components. Wear eye protection when using any form of power tool. Do not use household voltage power tools in a wet or damp environment. Household voltage power tools must be monitored and controlled by a Ground Fault Interrupter or more commonly called a G.F.I. Do not use any part of the building's frame as a means of personal support while attaching components during assembly.

PREPARATION OF BUILDING SITE

This building must be constructed on a **SOLID BASE FOUNDATION**. We recommend a poured concrete pad or large size concrete patio stone squares for a suitable floor and base. Which ever you select...*make sure your foundation area is firm and level and will allow drainage away from the site.* Make your solid base foundation at least 4" (100mm) larger than your building. **Manufacturer is not responsible for the choice and the construction of the foundation.**

NOTE: For a concrete pad base, prepare a level bed for a firm footing layer of crushed stone. The concrete pad should then be poured to a thickness of 4" (100mm) to 5" (125mm). When completed, allow to dry thoroughly for at least 48 hours.



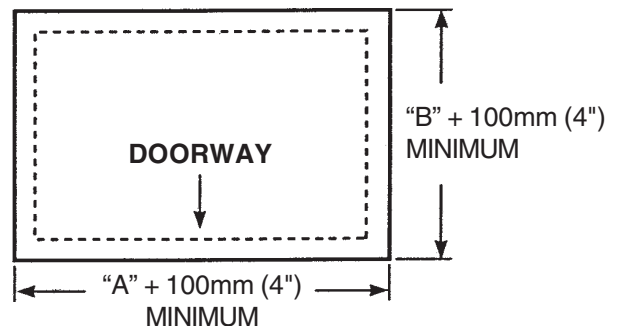
OUTSIDE MEASUREMENTS OF BUILDING AT BASE

MODEL	"A" CM	"A" INCH	"B" CM	"B" INCH
8x6	235.0	92 1/2	177.2	69 3/4

YOUR BUILDING MUST BE ANCHORED

Your building must be firmly anchored to your concrete pad or large concrete patio stone squares...to help protect against damage in high winds.

FURTHER ANCHORING INSTRUCTIONS FOLLOW AFTER ALL WALL AND ROOF PANELS HAVE BEEN INSTALLED.



Parts List

AAH04

IMPORTANT...When ordering parts please provide number stamped on the surface of galvanized parts. In the case of wall and roof panels please provide the model number of the building, color and size of panels.
To order parts please use order form on the last page.

Item Number	Part Number	Part Description	Quantity
1	63H	Side Base Rail	2
2	84H	Rear Base Rail	2
3	82H	Front Base Rail	2
4	810H	Entry Ramp	1
5	86H	Front and Rear Top Rail	4
6	SP3	Splice Bar	1
7	835H	Door Fascia	1
8	5V72	Corner Post	4
9	627M	Side Top Rail	2
10	4V72	Splice Post	1
11	89VS	Door Jamb	2
12	72V	Panel Stud	6
13	21V69	Side Panel	6
14	21V45	Rear Panel	6
15	21V21	Front Panel	6
16	842HH	Left Gable	2
17	843HH	Right Gable	2
18	C51	Secondary Ridge Beam Bracket	4
19	742H	Roof/Wall Edge Trim	2
20	741H	Roof/Wall Edge Trim	2
21	616H	Ridge Beam	4
22	1055	Main Gable Support Brace	2
23	37	Ridge Beam Bracket	4
24	36	Top Wall Bracket	4
25	818VS	Left Roof End Panel	2
26	844VS	Right Roof End Panel	2
27	819VS	Roof Panel	4
28	T847HH	Translucent Half Roof Panel	2
29	#2	Ridge Cover Mounting Bracket	2
30	620H	Ridge Cover	1
31	49H	Ridge Cover End Cap	2
32	641H	Roof Edge Trim	2
33	50H	Weatherseal Tape	1
34	P61	Plastic Washer Tree	3
35	822H72	Door Panel (See Page 18)	2
36	DIS04	Door Strengthenner	4
37	832	Top & Bottom Door Brace	4
38	823	Horizontal Door Brace	2
39	DH10	Door Handle	2
40	60H	Roof Corner Cap	4
		Owner's Manual	1
		Hardware Kit Contains (Bolts, Nuts and Screws)	
41	A67	Door Glide	4
42	48	Door Spacer	2
43	C14	Spacer	4

Painted parts may contain a prefix/suffix that designates color / material.

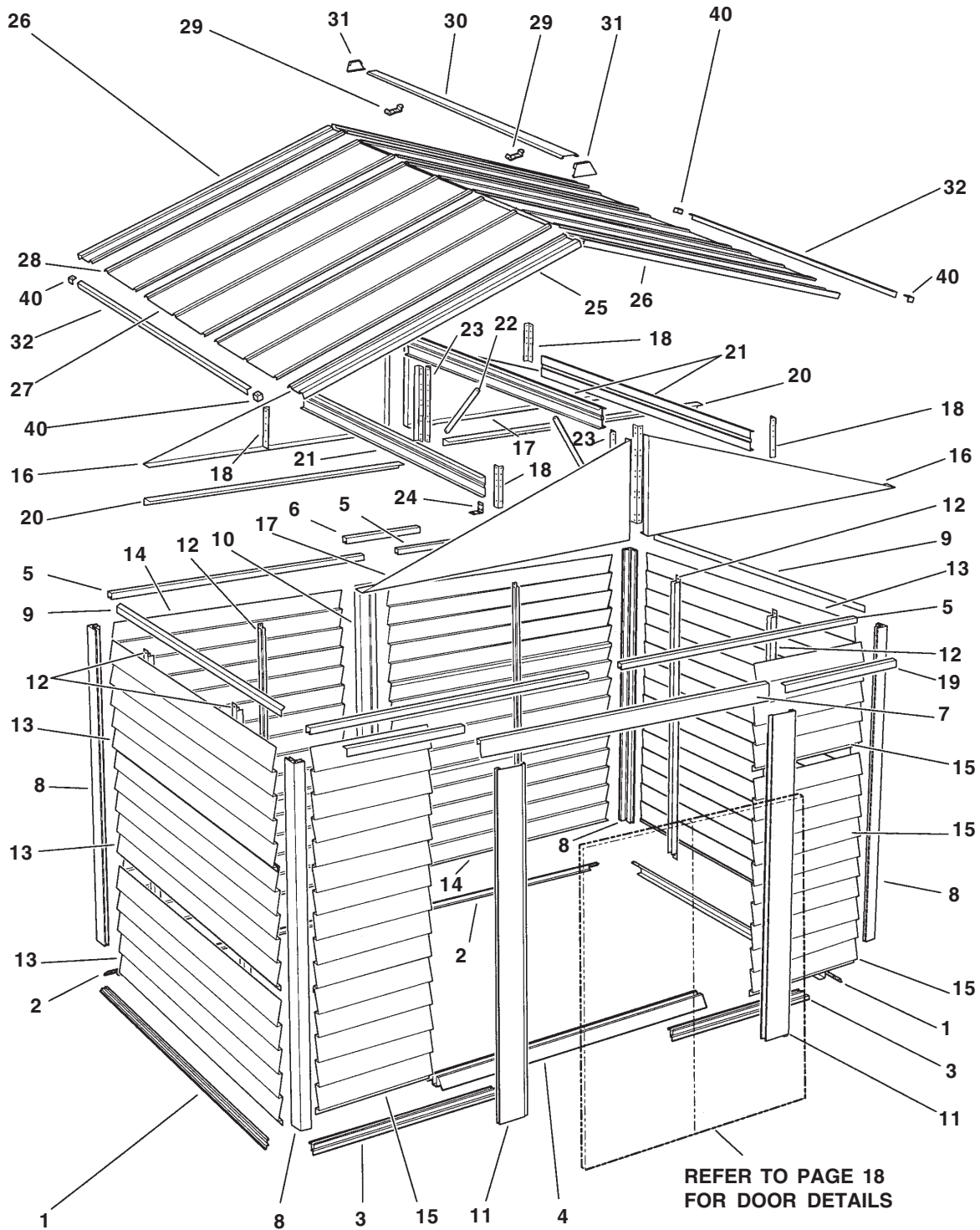


Indicates the item is in the hardware bag but is not used.

Assembly by Key Number

AAF05

NOTE: DRAWING IS NOT TO SCALE, BUT IS DESIGNED TO SHOW CROSS SECTIONS AND GENERAL CONFIGURATION TO AID IDENTIFICATION OF PARTS.



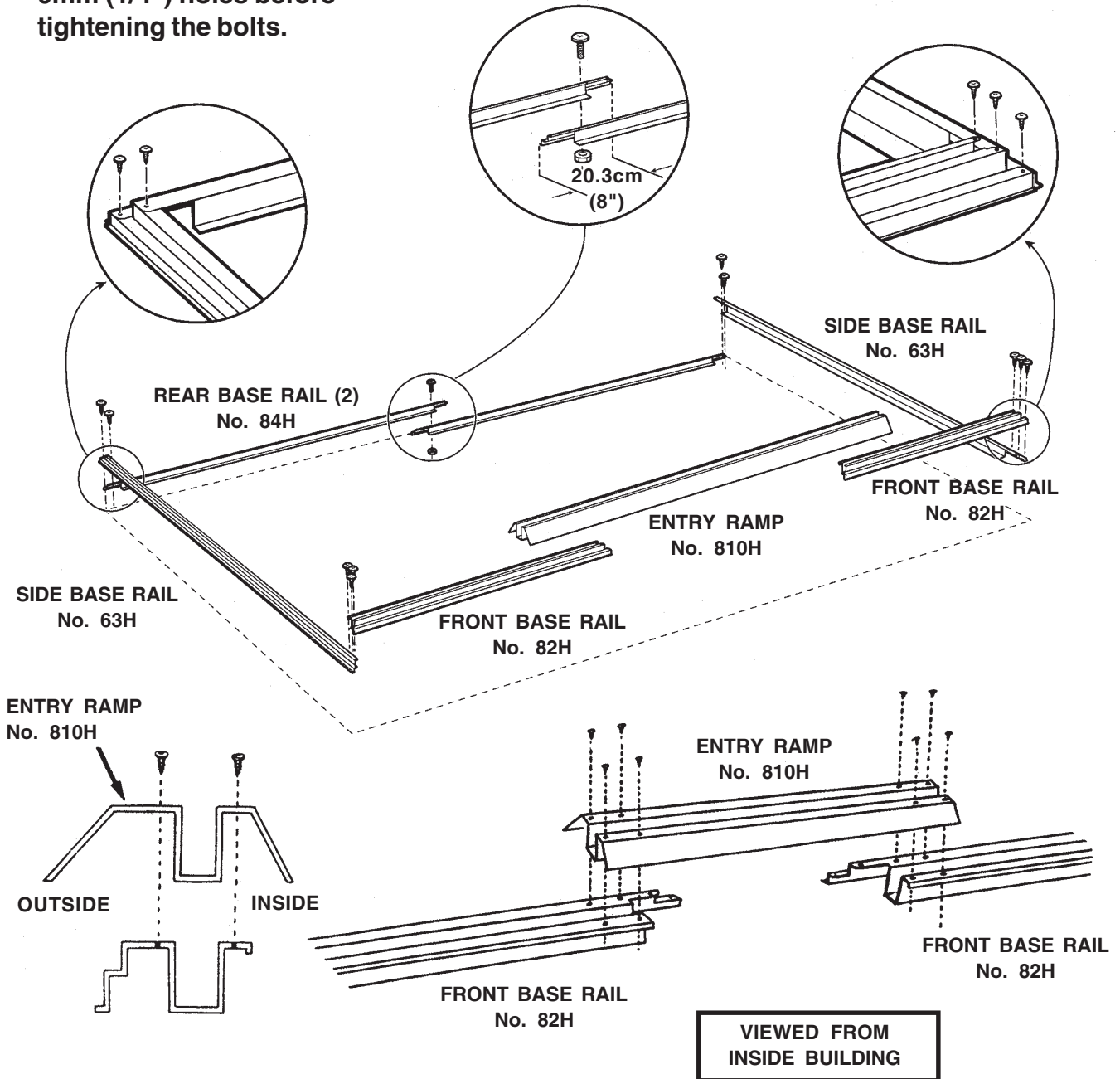
STEP
1

BASE FRAME ASSEMBLY

1. Assemble base rails into a base frame by selecting the appropriate parts as shown below.
2. On completion, check base frame for squareness by measuring diagonal corners. **Your measurements must be equal.**

63H	Side Base Rail	2
84H	Rear Base Rail	2
82H	Front Base Rail	2
810H	Entry Ramp	1

IMPORTANT: When splicing rear base rails it is essential that you accurately align the 6mm (1/4") holes before tightening the bolts.



USE SELF TAPPING SCREWS..10mm (3/8") LONG

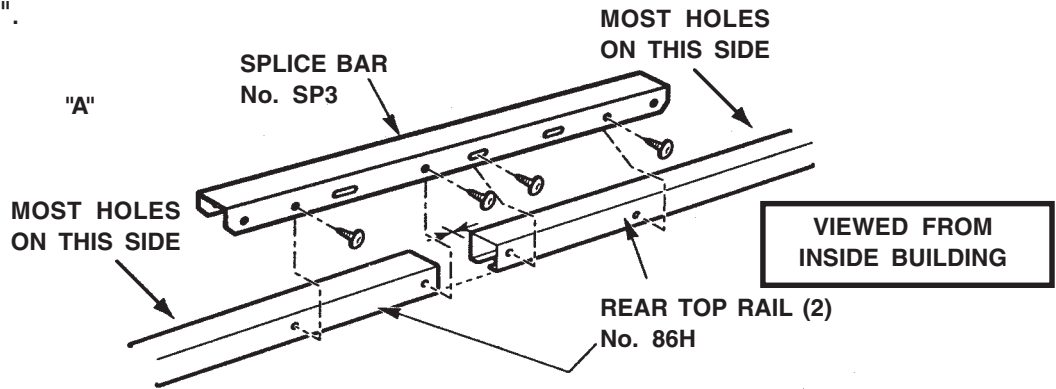
STEP
2

TOP FRAME ASSEMBLY

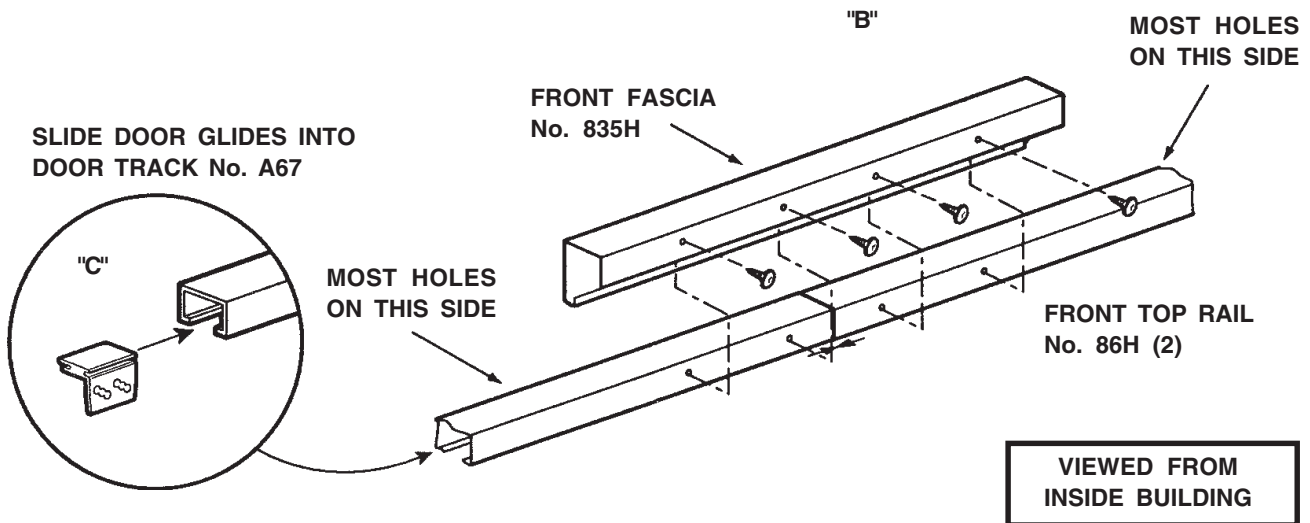
86H	Rear Top Rail	2
SP3	Splice Bar	1
86H	Front Top Rail	2
835H	Door Fascia	1
A67	Door Glide	4

NOTE...One side of the top rail contains a large number of fixing holes, this side is later required to face the outside of the building. Do not insert any screws in this surface until instructed.

1. Position splice bar No. SP3 and (2) rear top rails No. 86H into position as shown in illustration "A".
2. Using (4) self tapping screws on the inside surface of the assembly, attach all 3 components together. See illustration "A".



3. Position front fascia No. 835H and (2) front top rails No. 86H into position as shown in illustration "B".
4. Using (4) self tapping screws on the inside surface of the assembly, attach all 3 components together. See illustration "B".
5. Insert (4) door glides No. A67 into the top rail assembly as shown in illustration "C".



STEP
3

CORNER POSTS AND TOP FRAME ASSEMBLY

5V72	Corner Post	4
627M	Side Top Rail	2

1. Fasten corner posts No. 5V72 to the base frame as shown using (2) self tapping screws into the **first fixing hole** on the end of each base rail. See illustration "A" for dimensions.

NOTE: Corner posts should be supported until after assembly of the top rails.

2. It is important that you have inserted the (4) door glides No. A67 as shown on previous page, prior to fastening the front top rail assembly into position. Ensure that the flat side of the glide is towards the inside of the building. Position and fix front top rail assembly using (1) self tapping screw in each corner as shown. See illustration "A" for dimensions.

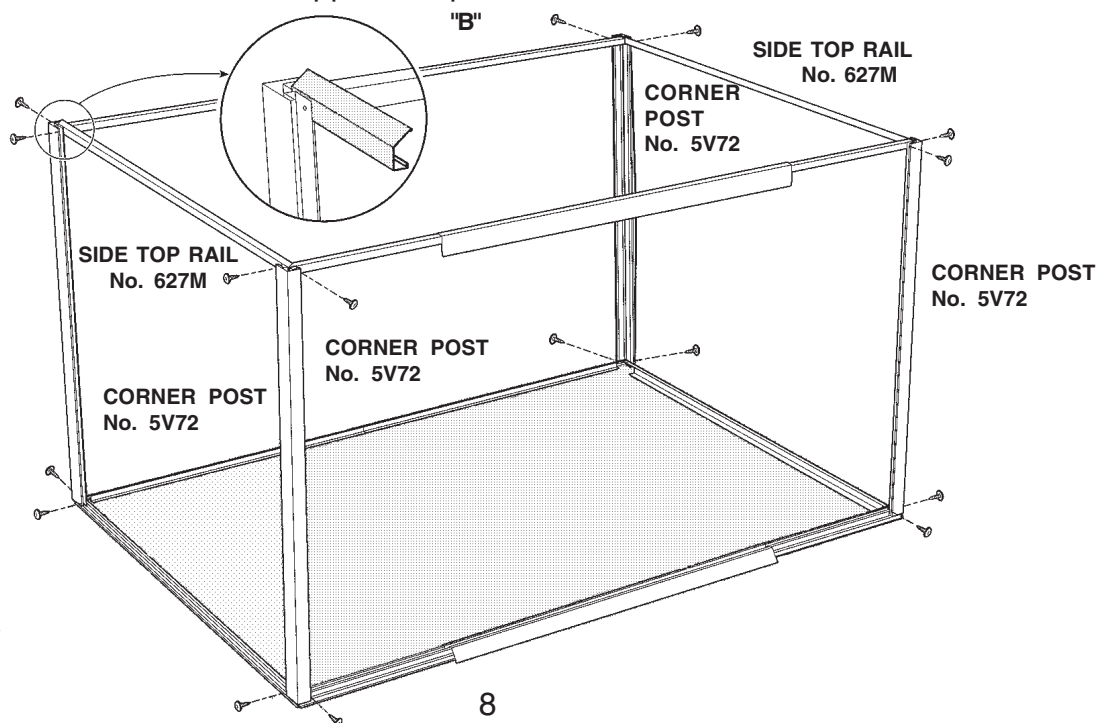
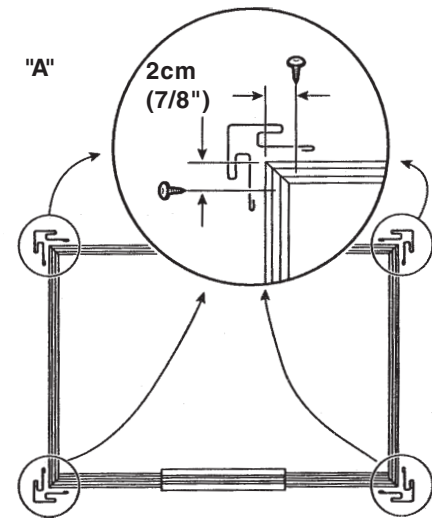
3. Using (2) self tapping screws, attach rear top rail assembly between the (2) rear corner posts.

NOTE... Attach rear top rail assembly to corner posts using the **outermost** fixing holes of the rear rail assembly.

4. **INSTALLATION NOTE...**The side top rails must be installed with the longer angled flange facing toward the center of the building. See illustration "B" for details.

Using (2) self tapping screws, attach a top side rail No. 627M between the front and rear corner posts. (See illustration) Attach top side rail No. 627M to corner posts using the second from the end fixing holes of the side rail.

Repeat procedure to attach the opposite top side rail.



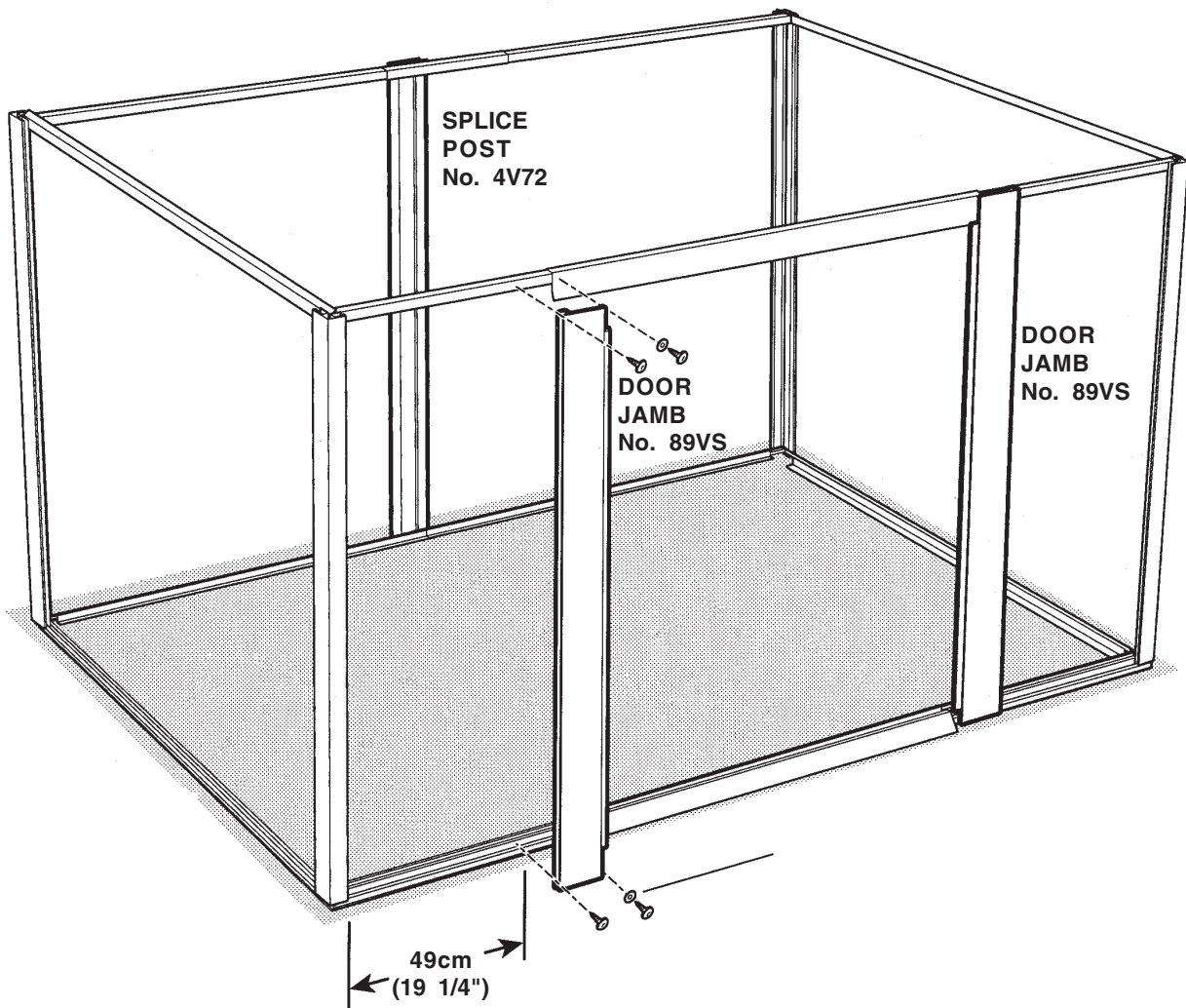
STEP

4

FITTING SPLICE POSTS AND DOOR JAMBS

4V72	Splice Post	1
89VS	Door Jamb	2

1. Position splice post No. 4V72 at the center of rear wall and fasten with (2) self tapping screws at top and bottom rail.
2. Position a door jamb No. 89VS with notch facing towards center of building and slide one edge under the door fascia. Fasten using (2) self tapping screws and washers where shown at top and bottom rail. Repeat these instructions for second door jamb. See footnote for dimensions.



This dimension is the distance from the corner post fixing screw to the door jamb fixing screw holes, top and bottom. Repeat for other side.

STEP

5**FIT PANEL STUDS**

72V

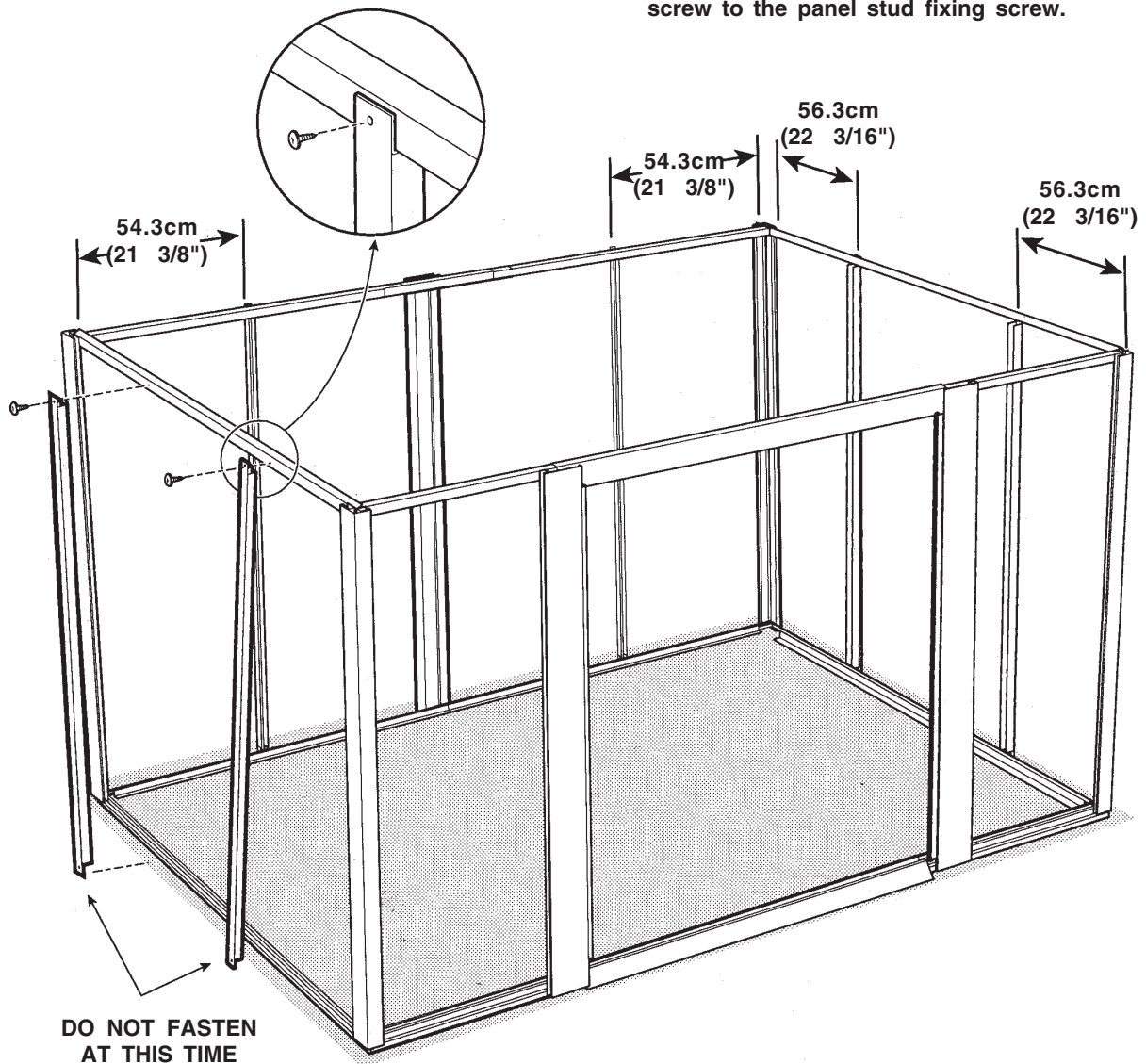
Panel Stud

6

The panel studs provide a mid-panel fixing point.

1. **Using the dimensions provided in the illustration,** attach a panel stud No. 72V to the outside top frame and fasten with a self tapping screw. Do not fully tighten at this time as this screw will later fix both the panel and stud to the top rail.
2. Position bottom flange on the outside of the base rail. Do not fasten at this time. Repeat the above instructions for the remaining 5 studs.

NOTE: The dimension given is the distance from the corner post fixing screw to the panel stud fixing screw.



STEP

6**INSERTING SIDE PANELS**

21V69

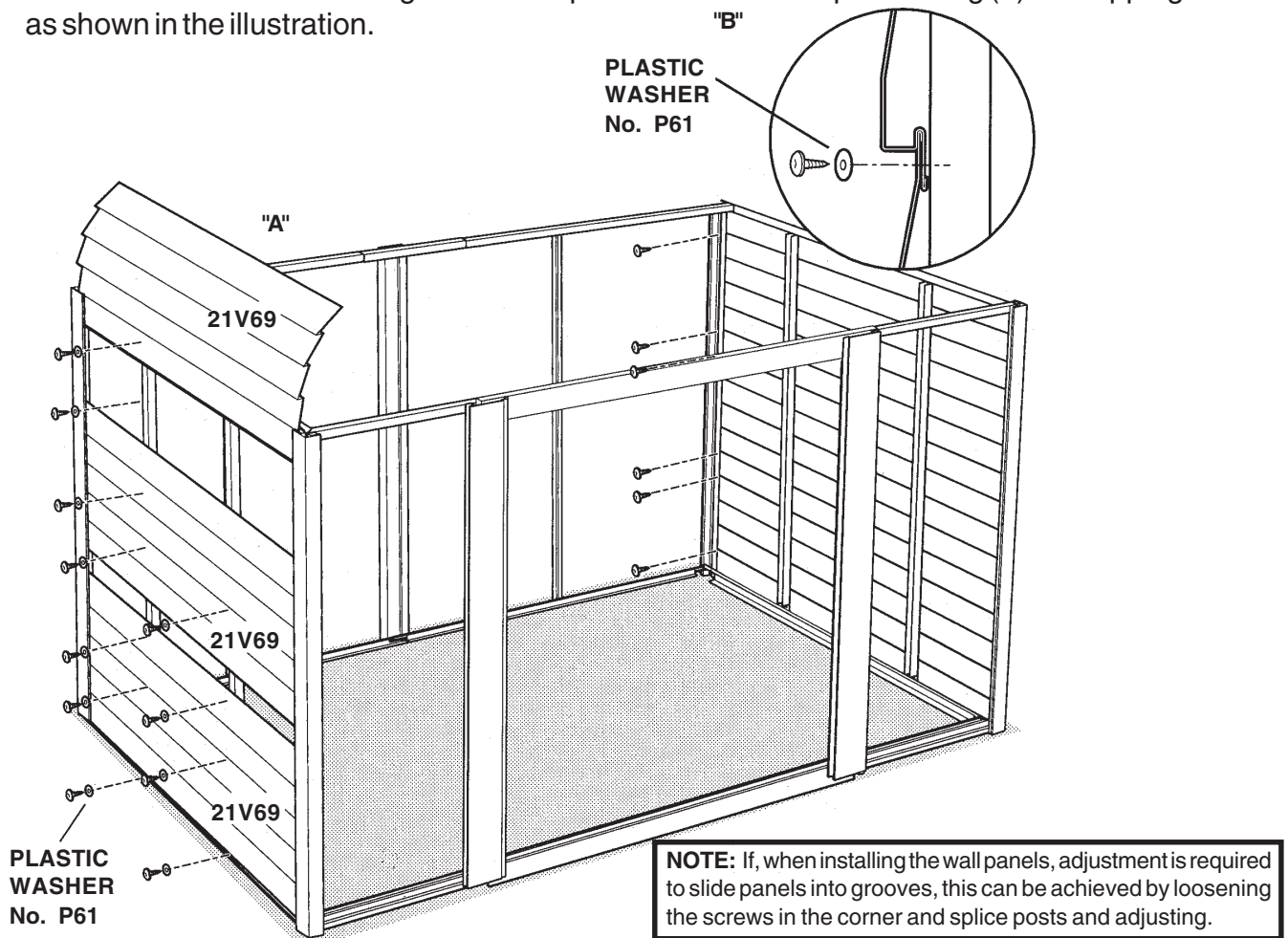
Side Panel

6

Plastic washers must be used on all exterior panel screws.

INSTALLATION TIP: When inserting panels into position between the corner and splice posts, you will find the panel will enter more readily if you allow the weight of the panel to fall towards the inside of the building. You and your assistant can now work each side of the panel evenly into position.

1. Slide side panel No. 21V69 into the grooves of the corner and splice posts. See illustration "A" for the correct method of installing panels. Slide the first panel to the bottom of the wall, **aligning the panel stud No. 72V fixing hole with the fastening hole in the wall panel and base rail.** Fasten using self tapping screw and washer. Using self tapping screw and washer fasten side panel to the panel stud through the center position hole.
2. Slide second panel into the wall ensuring that the top edge of the lower panel fits into the groove on the bottom edge of the panel above. See illustration "B"
3. **Before installing the top wall panel you must remove the self tapping screw from the upper fixing hole of the panel stud No. 72V where it joins the top rail.** This screw with washer will now fix the panel and stud to the top rail.
4. Continue to install the remaining side panels using the above instructions. When completed, each panel stud should have a total of (7) self tapping screws and washers.
5. From the inside of the building attach side panels to the corner posts using (6) self tapping screws as shown in the illustration.

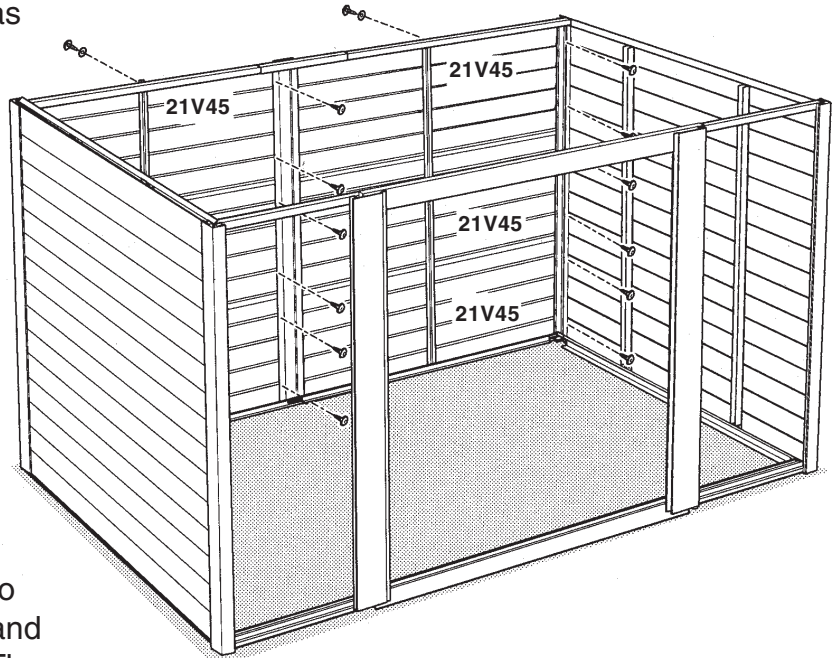


STEP

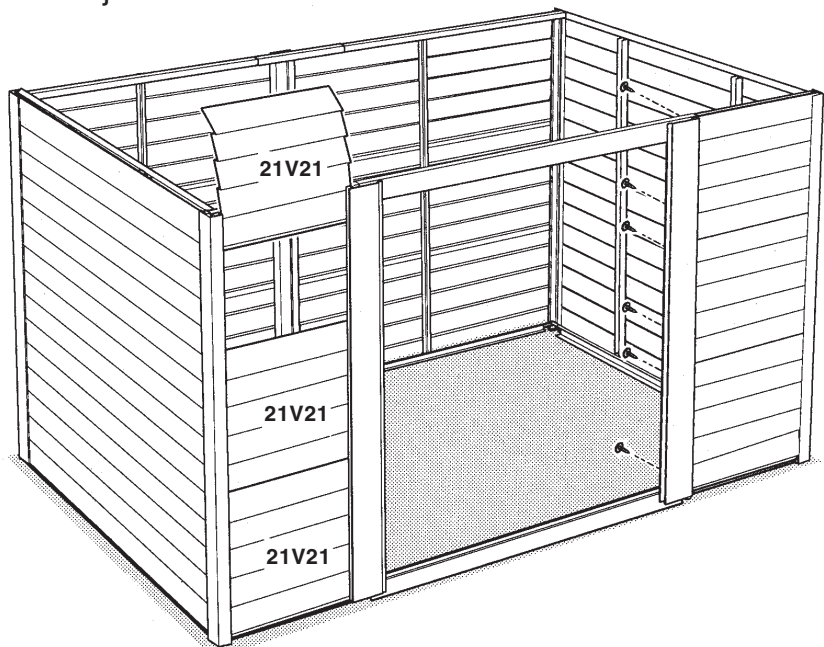
7**INSERTING FRONT AND REAR PANELS**

21V45	Rear Panel	6
21V21	Front Panel	6

1. Using the same method of installation as described in the previous step, install the rear wall panels No. 21V45.
2. From the inside of the building, using (6) self tapping screws, attach the wall panels to the inside edges of the splice post and corner post as shown in the illustration below.



3. Install front panels No. 21V21 into the grooves of the corner posts and the grooves of the door jambs. The front wall panels are attached from the inside of the building using (6) self tapping screws through the fixing holes provided on each side of the corner posts and door jambs.



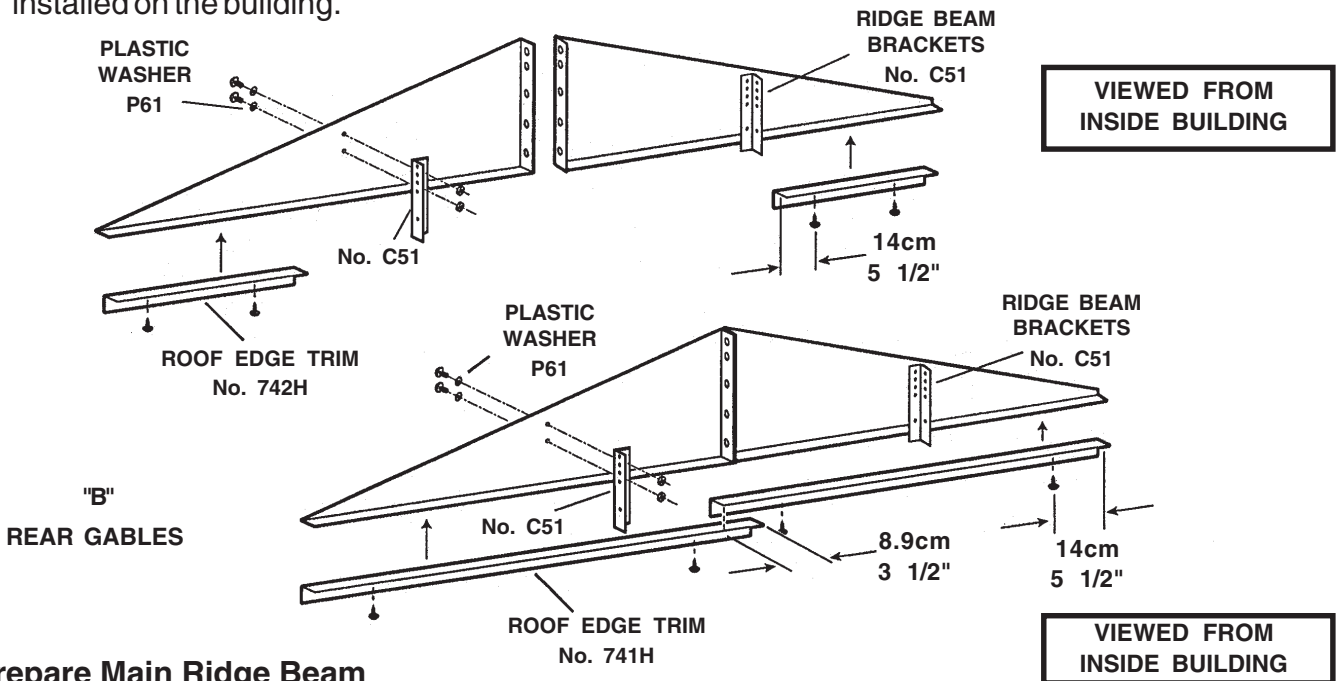
STEP
8

PREPARE GABLES AND RIDGE BEAMS

1. Fit brackets No. C51 to each gable as shown in illustration "A" and "B" using (2) bolts, washers and nuts.
2. Select the (2) shorter front roof edge trim components No. 742H. Attach a trim to each front gable as shown in illustration "A" using (2) self tapping screws each. Attach (1) of the longer rear wall panel trims No. 741H to each rear gable using (2) self tapping screws each. The trims on the rear gables are designed to overlap by approximately 8.9cm (3 1/2") when the gables are installed on the building.

842HH	Left Gable	2
843HH	Right Gable	2
C51	Secondary Ridge Beam Bracket	4
742H	Roof/Wall Edge Trim	2
741H	Roof/Wall Edge Trim	2
616H	Ridge Beam	4
1055	Main Gable Support Brace	2

"A"
FRONT GABLES

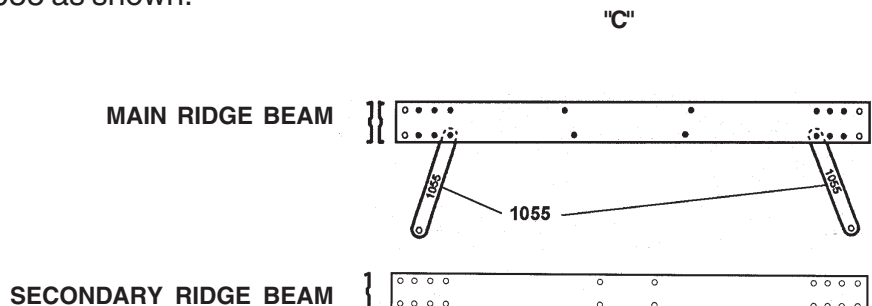


Prepare Main Ridge Beam

NOTE...One edge of the ridge beam contains a number of fixing holes, attach the (2) sections together with the fixing holes facing in the same direction.

3. Select 2 ridge beams No. 616H and place back-to-back as shown in illustration "C". Join together using bolts and nuts in holes shown with black dots. Attach (2) main gable support braces No. 1055 as shown.

Your (4) gables, main ridge beam and (2) secondary ridge beams are ready for installation.



STEP

9

FITTING FRONT GABLES, REAR GABLES AND RIDGE BEAMS

1. Place right rear gable into position and fasten using self tapping screws to rear top rail as shown in illustration "A".
2. Install left rear gable using the same method.

NOTE...Ensure that the end lip of the gable is located between the angled lip of the side top wall and top surface of the rear wall.

3. Fasten left and right gables together using (2) brackets No. 37 with bolts and nuts utilizing the **fifth and seventh holes** from the top of the brackets No. 37. Do not fully tighten at this time.
4. Position (2) top wall brackets No. 36 on either side of the lower gable joint as shown in illustration "C". Attach each top wall bracket to the top rail using a self tapping screw. Using bolt and nut, attach the gables and top wall brackets together. (See illustration "C") Repeat these instructions for the front gables.

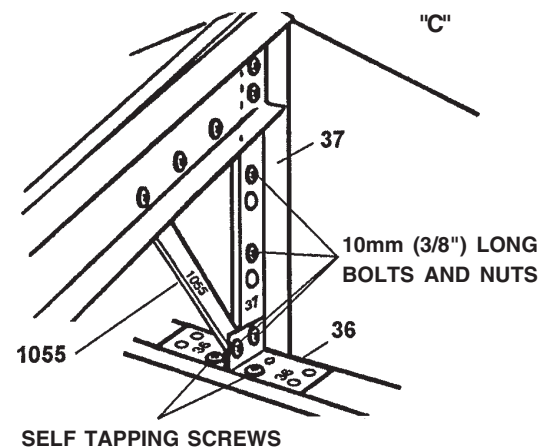
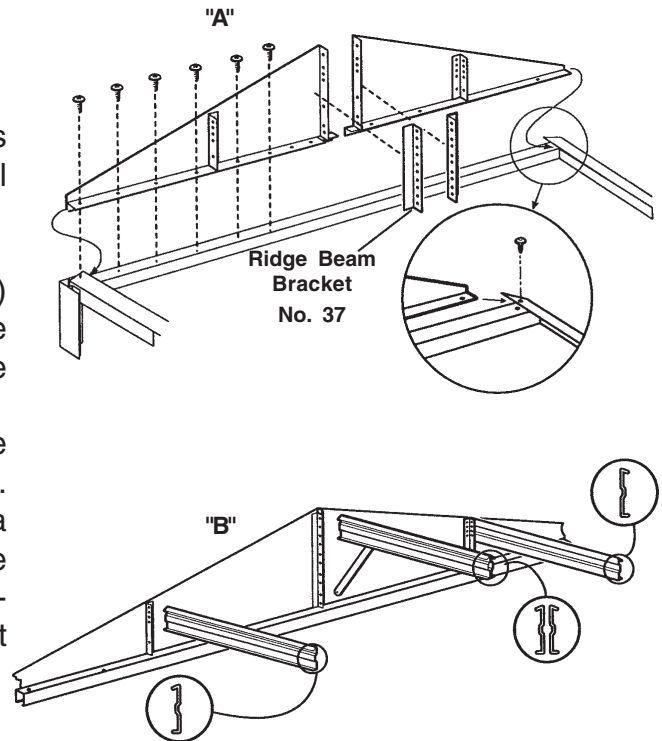
NOTE...The edge of the **secondary ridge beam** containing the most number of fixing holes is required to face upward when installed.

5. Using (2) bolts and nuts at each end of the secondary ridge beam, attach ridge beam to the brackets No. C51 as shown in illustration "B".

NOTE...The edge of the **main ridge beam** containing the most number of fixing holes is required to face upward when installed.

6. With assistance, position the main ridge beam's center joint over the upper joint of the gables at each end of the building. Using (2) bolts and nuts at each end of the main ridge beam, attach ridge beam to the upper two vacant fixing holes of the gable joint. (See illustration "C") Repeat these instructions for opposite side of the building. Attach main gable support brace No. 1055 to top wall bracket No. 36 with bolt and nut.

37	Ridge Beam Bracket	4
36	Top Wall Bracket	4



*Ensure all bolts and nuts are tight at this time.
You are now ready to begin installing the roof.*

STEP

10

FITTING ROOF PANELS

Roof End Panels

1. Position roof end panel over the gable as shown in the illustration. Align the fixing holes of the roof end panel with those of the gable. Using bolts, nuts and plastic washers attach roof end panel to the gable. (See illustration "A") **NOTE...**Position the nuts on the outside surface of the gable.
2. Attach roof end panels to the side top rail, main ridge beam and secondary ridge beam using self tapping screws and plastic washers as shown in illustration "B".
3. Repeat instruction to attach the opposite side roof end panel to gable.

819VS	Roof Panel	4
818VS	Left Roof End Panel	2
844VS	Right Roof End Panel	2
T847HH	Translucent Half Roof Panel	2
#2	Ridge Cover	
	Mounting Bracket	2
50H	Aluminum Weatherseal Tape	1

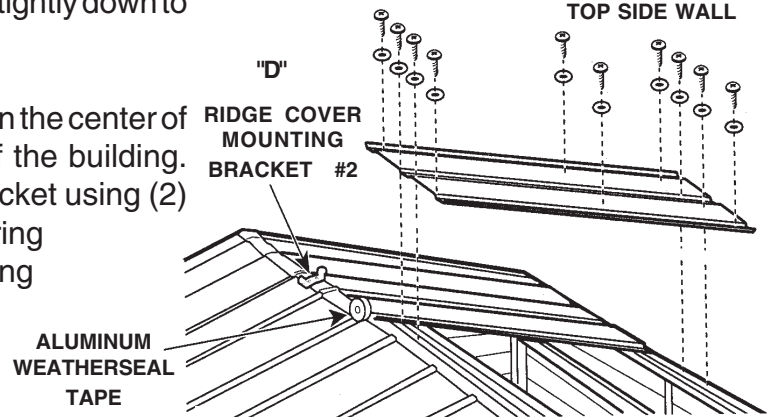
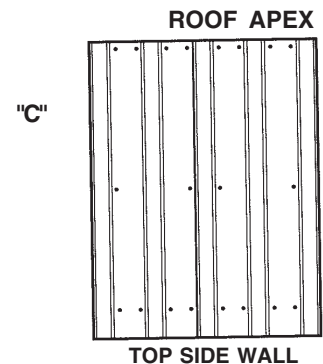
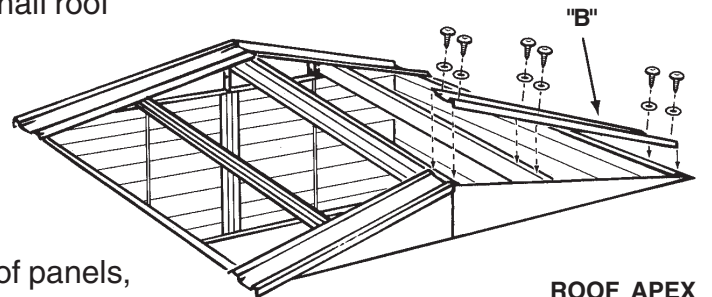
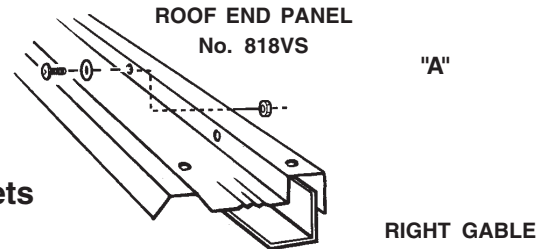
Roof Panels, Tape and Ridge Cover Mounting Brackets

4. Starting at the rear of the building attach a half roof panel on each side of the building. Attach half roof panel to the side top rail, main ridge beam and secondary ridge beam using self tapping screws and plastic washers.
5. Repeat instruction to attach the opposite side half roof panel.

As you proceed across the roof adding roof panels, carefully apply the aluminum weatherseal tape over the entire joint of the roof panels above the main ridge beam. (See illustration "D")

NOTE...The aluminum weatherseal tape must be applied with care ensuring that there are no air gaps. Be sure the surface is clean, dry and dust free and apply only when temperature is above 13°C (55°F). Ensure the edges of the tape have been sealed tightly down to the roof panels.

6. Attach a ridge cover mounting bracket in the center of the first full roof panel at each end of the building. Attach each ridge cover mounting bracket using (2) self tapping screws, each screw requiring to pass through the ridge cover mounting bracket, weatherseal tape, roof panel and finally into the upper fixing holes of the main ridge beam.



STEP

11

FITTING RIDGE COVER, COVER END CAPS AND ROOF EDGE TRIMS

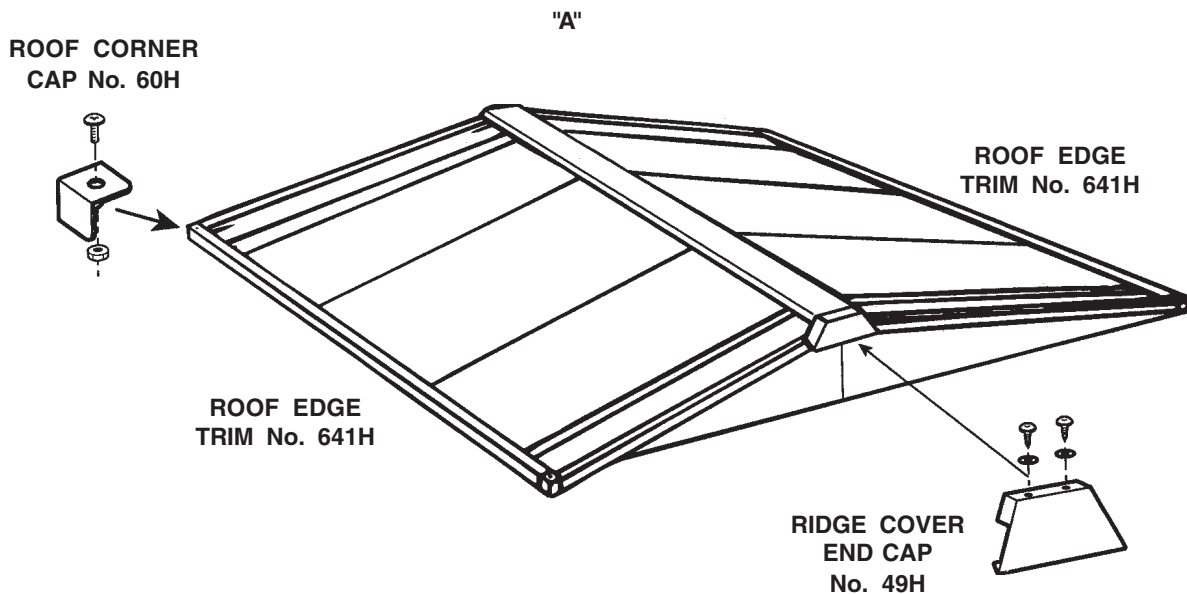
620H	Ridge Cover	1
49H	Ridge Cover End Cap	2
641H	Roof Edge Trim	2
60H	Roof Corner Cap	4

Ridge Cover

1. Slide (1) ridge cover No. 620H onto the mounting bracket and feed towards the opposite bracket. Continue to feed the ridge cover over the second mounting bracket until they are centered on the roof.
2. Clip ridge cover end caps into position and fasten with screws and washers. See illustration "A".

Roof Edge Trims and Corner Caps

3. Position roof edge trim No. 641H in place over edge of roof with a lap joint. Fasten with bolts and nuts through roof panel. See illustration "A".
4. Fasten (4) corner caps No. 60H through roof end panels and roof edge trim with bolts and nuts.

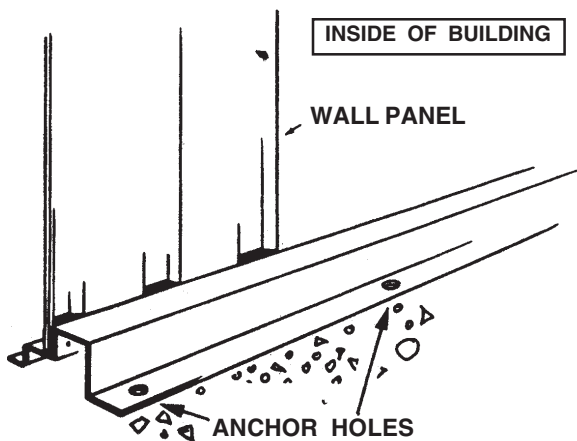
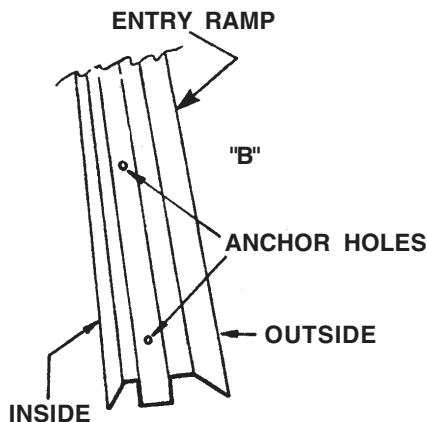


STEP

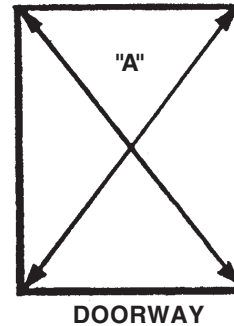
12

COMPLETE THE ANCHORING OF YOUR BUILDING NOW! YOUR BUILDING MUST BE ANCHORED!

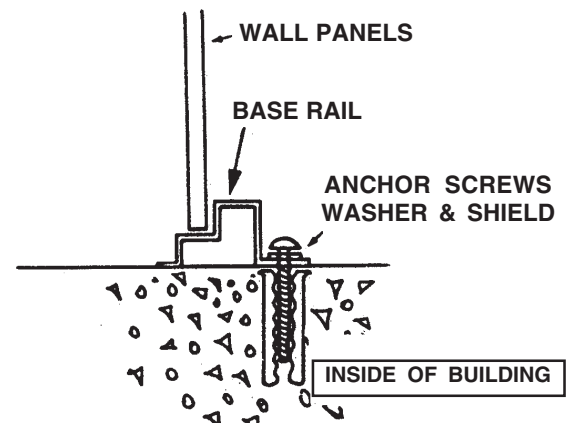
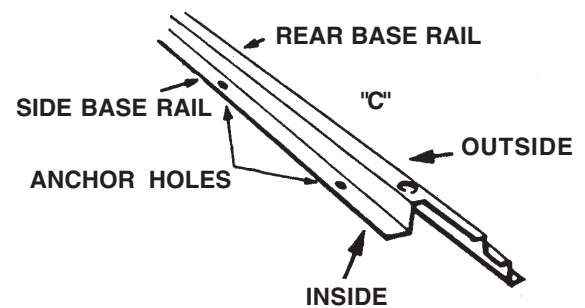
1. Check building position on concrete base and adjust to original planned position.
2. Carefully position base frame in the center of solid base foundation --- to allow at least 100mm (4") of solid base outside the frame.
3. Check base frame for squareness by measuring diagonal corners. Your measurements should be equal! See "A"
4. Inside your base frame...there are 6mm (1/4") holes in the entry ramp and on the inside flange of the front, side and rear base rails. **These are anchor holes**...for installation of anchor screws into the concrete or patio stones. See "B" and "C"
5. When your base frame is square...use a black felt pen to mark location of anchor hole center on the concrete. **Mark for all anchor holes.**
6. With an electric drill and a Carbide Bit (Check size to suit anchor shield)...drill proper holes into concrete at each mark.
7. Insert anchor shields into each hole.
8. Fasten all base rails to concrete with anchor screws.



NOTE: Anchor screws, washers and shields are **NOT** supplied as part of the hardware package and may be purchased at your local store. You will require 18 No. 10 concrete anchor screws 38mm (1 1/2") long with washers and expansion shields **PLUS** a Carbide Bit to suit.



ANCHOR SCREWS
WASHER & SHIELD



IMPORTANT

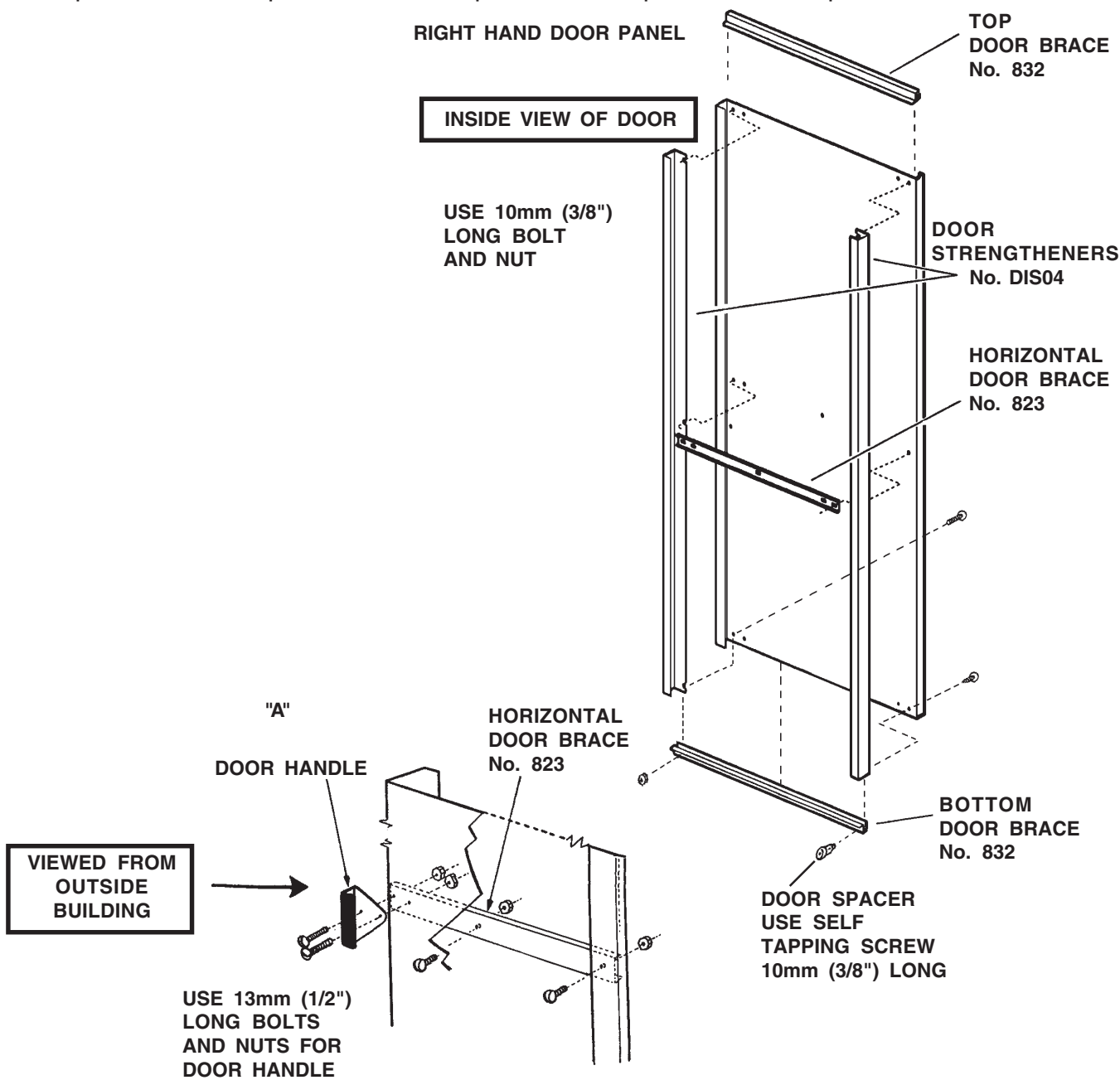
This building is designed to withstand normal wind loads when installed according to instructions. Manufacturer cannot be held responsible for any consequences due to buildings that are not installed per instructions or for damage due to any weather conditions or acts of God.

STEP
13

DOOR AND HARDWARE ASSEMBLY

822H72	Door Panel	2
DIS04	Door Strengthener	4
832	Top & Bottom Door Brace	4
823	Horizontal Door Brace	2
DH10	Door Handle	2
48	Door Spacer	2

1. Position a door strengthener No. DIS04 on the inside return lip of the door as shown in the illustration.
2. Position a second door strengthener No. DIS04 on the opposite inside surface of the door.
3. Attach top and bottom door braces No. 832 to the door. Ensure the two vertical door strengtheners are positioned underneath the top and bottom door braces.
Fasten bottom brace only...with screw and door spacer on door jamb end and bolt and nut on the other end. Use hole positions exactly as shown below.
4. Install horizontal door brace No. 823. Fasten to door strengthener and door panel and install door handle. See "A".
5. Repeat for left door panel...be sure to position door spacer in correct position.

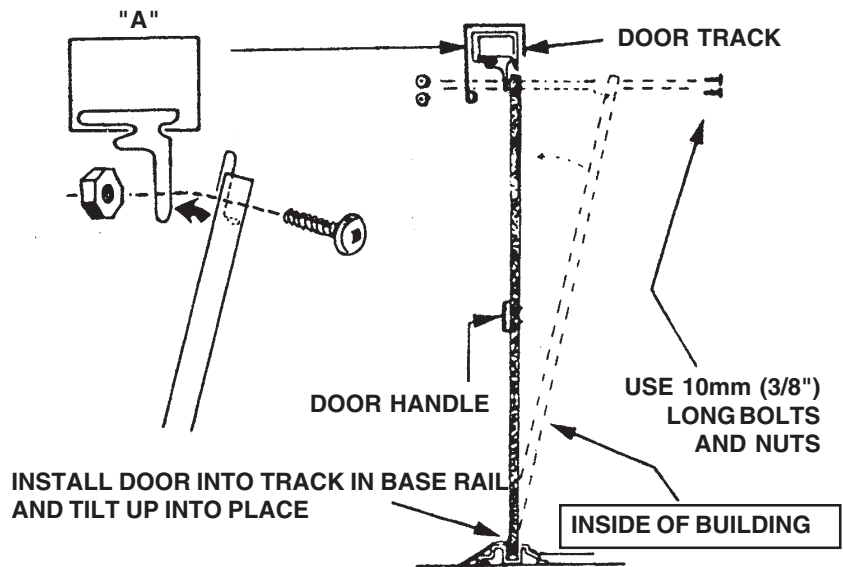


STEP

14

DOOR INSTALLATION (FROM INSIDE)

1. Inside and near the corner of building, install bottom lip of left door into track formed in base rail.
2. Position top of door so that holes in door line up with CENTER holes in door glide. Fasten door glides to door with 10mm (3/8") long bolts and nuts from **THE INSIDE**. See "A"
3. Install right hand door in the same manner.



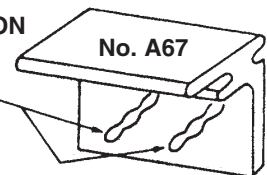
STEP

15

DOOR ADJUSTMENT (FROM INSIDE)

1. Close doors to see if they meet squarely. There are 3 holes in each of the door glides to raise or lower doors as required for a square fit.

ADJUST BOLT LOCATION
IN THESE 3 HOLES
FOR SQUARE FIT



CARE AND MAINTENANCE

- **Finish:** For long lasting finish, periodically clean and wax the exterior surface. Touch up scratches as soon as you notice them on your building. Immediately clean the area with a wire brush; wash it and apply touch up paint per manufacturer's recommendation.
- **Roof:** Keep roof clean of leaves and snow with long handled, soft bristled broom. Heavy amounts of snow on roof can damage the building making it unsafe to enter.
- **Doors:** Keep doors closed to prevent wind damage.
- **Fasteners:** Regularly check your building for loose screws, bolts, nuts, etc. and retighten them as necessary.
- **Moisture:** With changing temperatures, condensation can accumulate inside the building.
- **Other Tips:** A non-corrosive caulking is helpful to seal the building.

Do not store swimming pool chemical in your building. Combustibles and corrosives must be stored in airtight containers.

REPLACEMENT PARTS OR ANY QUESTIONS REGARDING YOUR BUILDING SHOULD BE REFERRED DIRECTLY TO CUSTOMER SERVICE. DO NOT CONTACT YOUR DEALER, THEY ARE NOT EQUIPPED TO SERVICE YOUR REQUESTS AS PROMPTLY AS THE CUSTOMER SERVICE DEPARTMENT (1-800-851-1085).

PARTS REPLACEMENT ORDER FORM

<p>** MODEL NO. _____ **</p> <table border="1" style="width: 100%; border-collapse: collapse; margin-top: 10px;"> <tr> <td style="width: 30%;">PART NO.</td> <td style="width: 20%;">QTY.</td> <td style="width: 50%;">COLOR</td> </tr> <tr><td> </td><td> </td><td> </td></tr> <tr><td> </td><td> </td><td> </td></tr> <tr><td> </td><td> </td><td> </td></tr> <tr><td> </td><td> </td><td> </td></tr> <tr><td> </td><td> </td><td> </td></tr> <tr><td> </td><td> </td><td> </td></tr> </table> <p style="font-size: small; margin-top: 10px;">FOR PARTS REPLACEMENT PLEASE CONTACT CUSTOMER SERVICE DEPARTMENT. TELEPHONE NO. (1-800-851-1085)</p>	PART NO.	QTY.	COLOR																			<p>NAME: _____</p> <p>ADDRESS: _____</p> <p>CITY: _____ PROVINCE/STATE: _____</p> <p>POSTAL CODE/ZIP: _____ TELEPHONE: _____</p> <p>PURCHASED FROM: _____</p> <p>STORE ADDRESS: _____</p> <p>DATE PURCHASED: _____</p>
PART NO.	QTY.	COLOR																				

**or Mail To: 3069 Wolfedale Road
Mississauga, Ontario L5C 1V9**