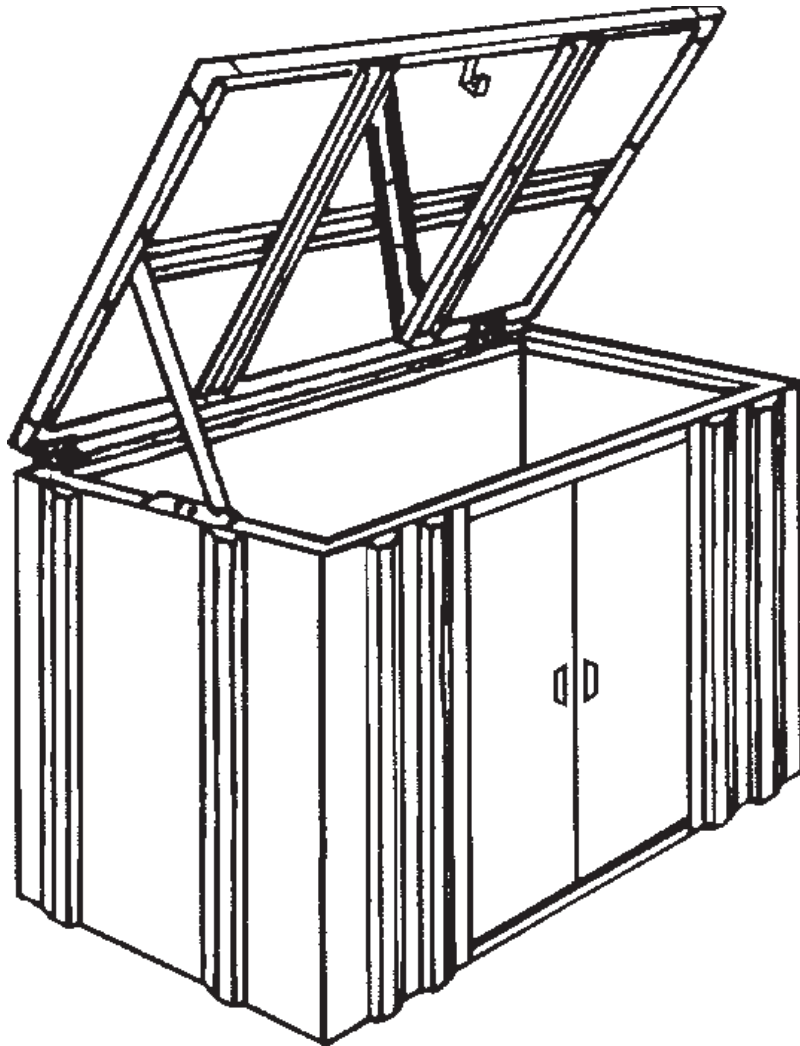


# ASSEMBLY INSTRUCTIONS FOR STORETTE STA42

A01



**CAUTION:** Some parts have sharp edges. Care must be taken when handling the various pieces to avoid a mishap. For safety sake, please read the safety information provided in this manual before beginning construction. Wear gloves when handling metal parts.

# CONTENTS

- Pre-construction instructions
- Assembling the building
- Anchoring the frame
- Parts List and order information

## PROCEED WITH CONFIDENCE

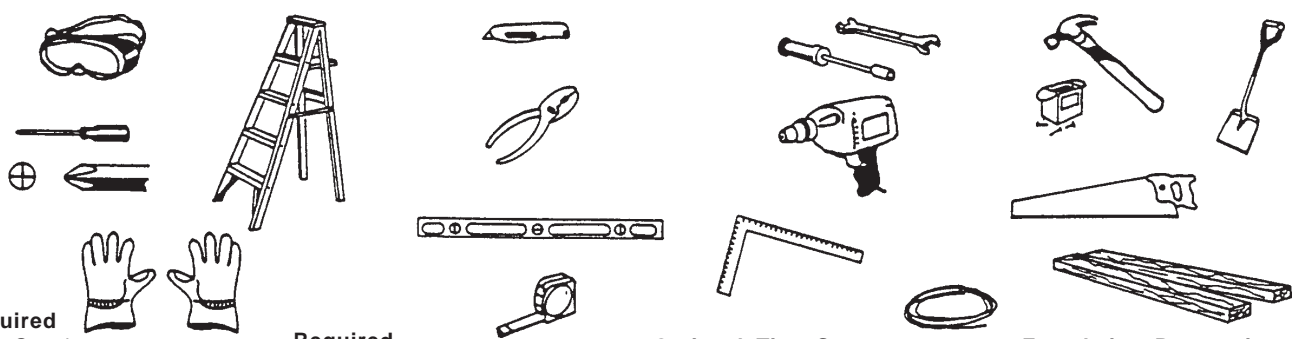
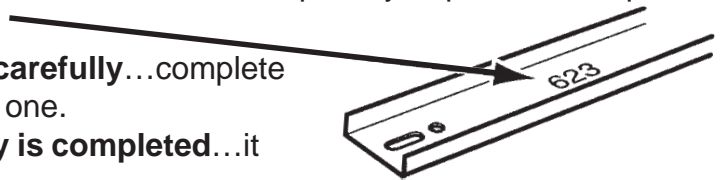
It might look complicated when you first unpack your building...but it really isn't. Simply follow the illustrated instructions and your building will go up quickly and accurately.

## ASSEMBLY INSTRUCTIONS

- **Before beginning construction**...check local building codes regarding footings, location and other requirements. Study and understand the owner's manual.
- **You will need assistance**...you'll find that another person will speed the job and make assembly easier.
- **Selecting your site**...choose an area that's firm and level yet allows drainage away from site.

**WARNING!** ... DO NOT ERECT YOUR BUILDING IN AREAS THAT ARE SUBJECTED TO HIGH WINDS, OR ERECT ON A WINDY DAY. ANY BUILDING LEFT PARTIALLY CONSTRUCTED MAY BE SERIOUSLY DAMAGED IF LEFT IN THIS STATE.

- **Sort and separate all parts and hardware**...checking with the Parts List on Page 4 and the illustrations on Page 5...be sure you have all parts and know where they belong in the building. Each part has been numbered or illustrated, the quantity required and its part number noted.
- **Follow step-by-step instructions carefully**...complete each step before going onto the next one.
- **Retain this manual after assembly is completed**...it contains a complete parts list.



### Required

- Eye Goggles
- No. 2 Phillips Screwdriver (with Hardened Magnetic Tip)
- Work Gloves
- Step Ladders

### Required

- Utility Knife / Scissors
- Pliers
- Carpenter's Level
- Tape Measure

### Optional Time-Savers

- Wrench / Nut Driver
- Electric / Cordless Drill
- Square
- String (for squaring frame)

### Foundation Preparation

- Hammer and Nails
- Spade or Shovel
- Hand Saw / Power Saw
- Lumber and/or Concrete

## BUILDING CARE

- **Carefree maintenance** – Your building has been designed to give you years of carefree service. All parts have been precision engineered for a perfect fit. It is manufactured from heavily galvanized steel with exterior parts pre-enameled on both sides at the steel mill.
- **IMPORTANT** – This building is designed to withstand normal wind loads when installed according to instructions. Manufacturer cannot be held responsible for any consequences due to buildings that are not installed per instructions or for damage due to weather conditions or acts of God.

# IMPORTANT

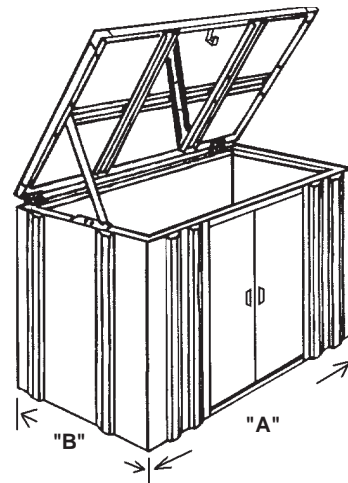
A03

## PERSONAL SAFETY DURING BUILDINGS CONSTRUCTION

Prior to assembly some of the buildings components may contain sharp edges, wear protective work gloves while handling these components. When using any form of power tool wear eye protection. Do not use household voltage power tools in a wet or damp environment. Household voltage power tools must be monitored and controlled by a Ground Fault Interrupter or more commonly called a G.F.I. Do not use any part of the buildings frame as a means of personal support while attaching components during assembly.

## PREPARATION OF BUILDING SITE

This building must be constructed on a **SOLID BASE FOUNDATION**. We recommend a poured concrete pad or large size concrete patio stone squares for a suitable floor and base. Which ever you select...*make sure your foundation area is firm and level and will allow drainage away from the site.* Make your solid base foundation at least 4" (100mm) larger than your building. **Spacemaker is not responsible for the choice and the construction of the foundation.**



**NOTE:** For a concrete pad base, prepare a level bed for a firm footing layer of crushed stone. The concrete pad should then be poured to a thickness of 4" (100mm) to 5" (125mm). When completed allow to dry thoroughly for at least 48 hours.

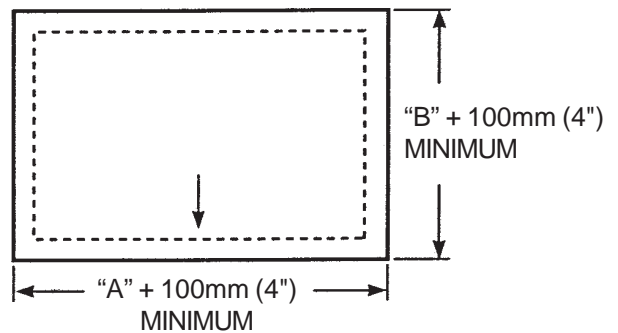
### OUTSIDE MEASUREMENTS OF BUILDING AT BASE

MODEL	"A" CM	"A" INCH	"B" CM	"B" INCH
4x2	124.5	49	62.2	24 1/2

## YOUR BUILDING MUST BE ANCHORED

Your building must be firmly anchored to your concrete pad or large concrete patio stone squares...to help protect against damage in high winds.

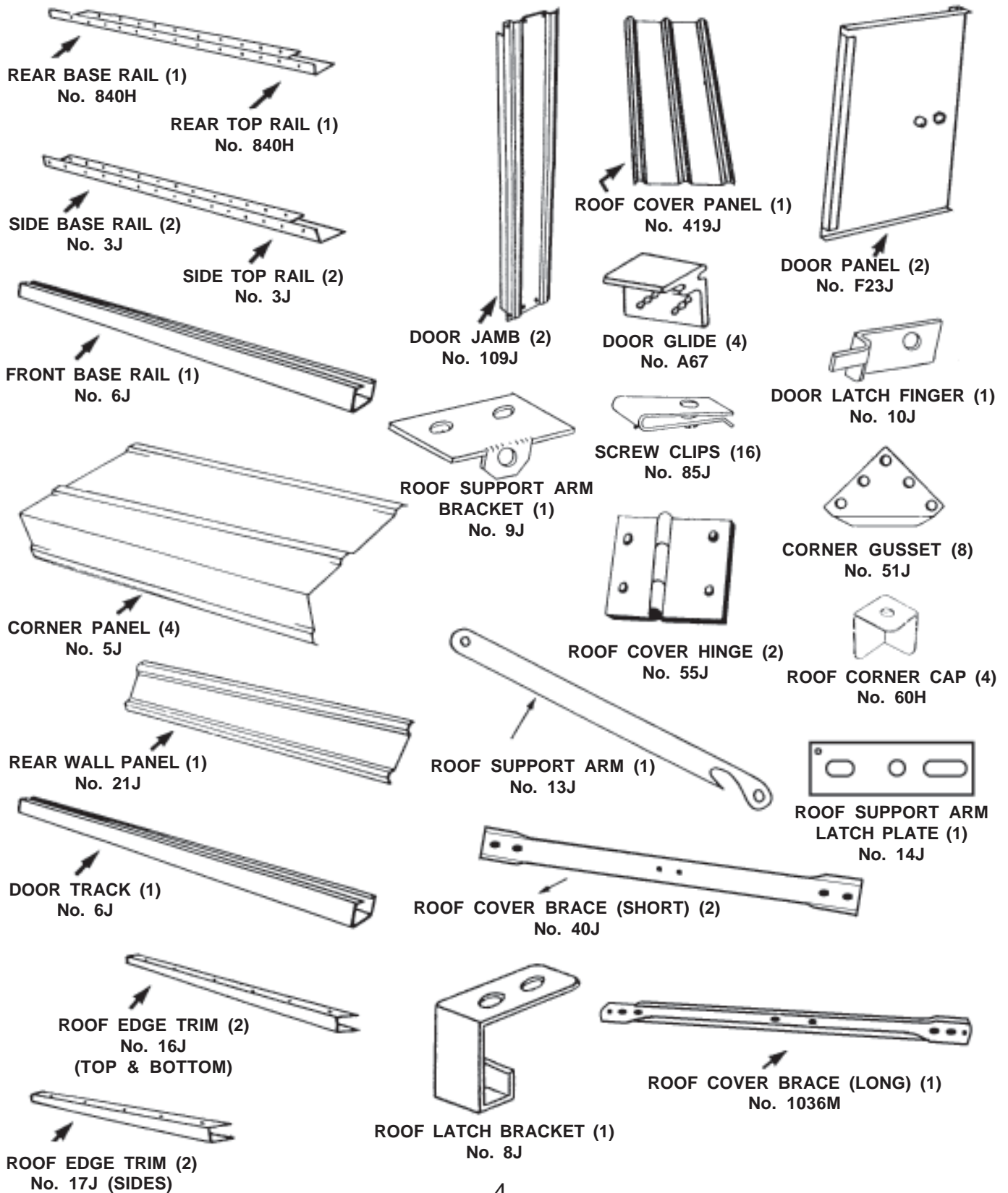
FURTHER ANCHORING INSTRUCTIONS  
FOLLOW AFTER ALL WALL AND ROOF  
PANELS HAVE BEEN INSTALLED.



## ILLUSTRATED PARTS

**NOTE:** DRAWINGS ARE NOT TO SCALE, BUT ARE DESIGNED TO SHOW CROSS SECTIONS AND GENERAL CONFIGURATION TO AID IDENTIFICATION.

A04



# Parts List

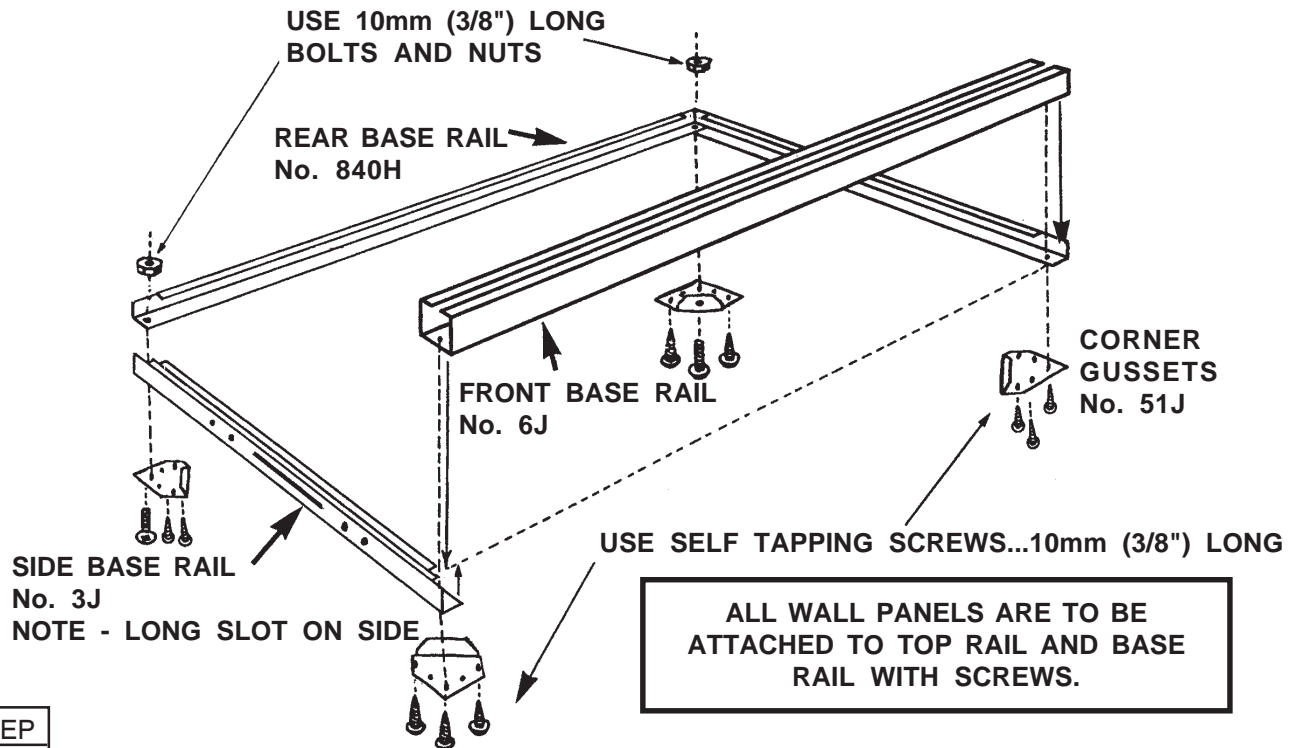
A05

**IMPORTANT...**When ordering parts please provide number stamped on the surface of galvanized parts. In the case of wall and roof panels please provide the model number of the building, color and size of panels. To order parts please use order form on the last page.

Assembly Key No.	Part Number	Part Description	Quantity in Carton
	840H	Rear Base Rail	1
	6J	Front Base Rail	1
	3J	Side Base Rail	2
	5J	Corner Panel	4
	21J	Rear Wall Panel	1
	840H	Rear Top Rail	1
	3J	Side Top Rail	2
	6J	Door Track	1
	109J	Door Jamb	2
	F23J	Door Panel	2
	419J	Roof Cover Panel	1
	17J	Roof Edge Trim (Sides)	2
	16J	Roof Edge Trim (Top & Bottom)	2
	1036M	Roof Cover Brace (Long)	1
	40J	Roof Cover Brace (Short)	2
	13J	Roof Support Arm	1
	BT1	Weather Stripping (1/2"x3/8"x12')	1 Roll
		Owner's Manual	1
	51J	Corner Gusset	8
	DH10	Door Handle	2
	P61	Plastic Washers	1
	14J	Roof Support Arm Latch Plate	1
		Hardware Kit (Bolts, Nuts and Screws)	1
	A67	Door Glide	4
	10J	Door Latch Finger	1
	85J	Screw Clips (12-122)	16
	60H	Roof Corner Cap	4
	8J	Roof Latch Bracket	1
	55J	Roof Cover Hinge	2
	9J	Roof Support Arm Bracket	1

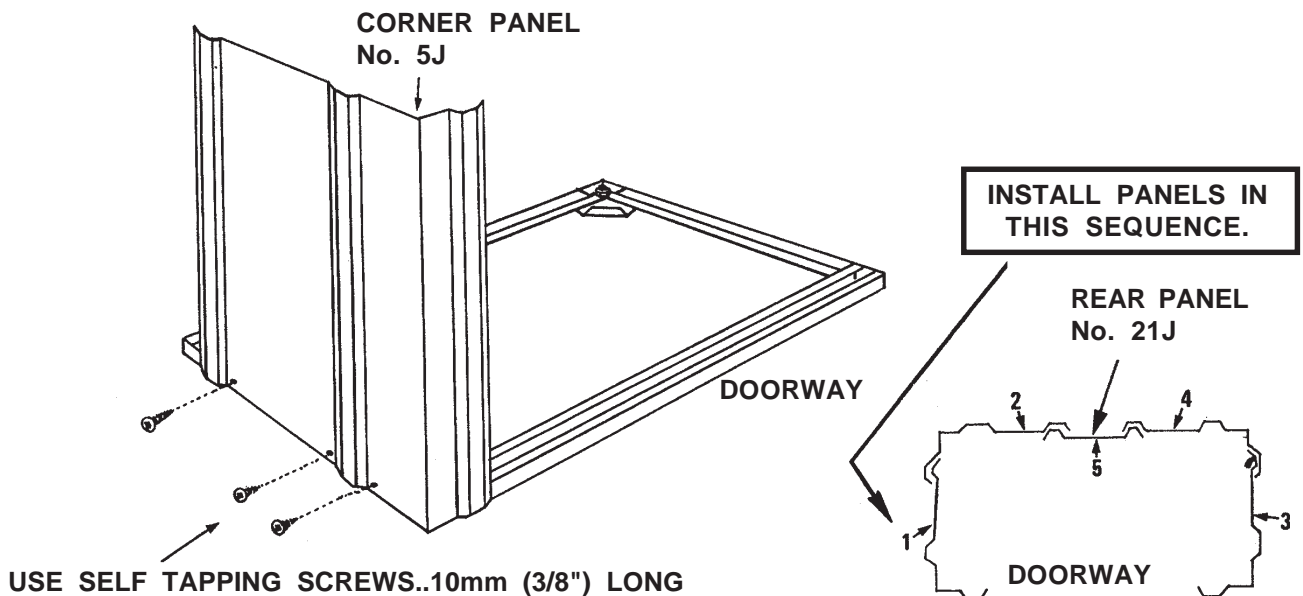
**STEP**  
**1**

Assemble rear base rail and front base rail to side base rails with corner gussets at each corner as shown... and place on flat surface.



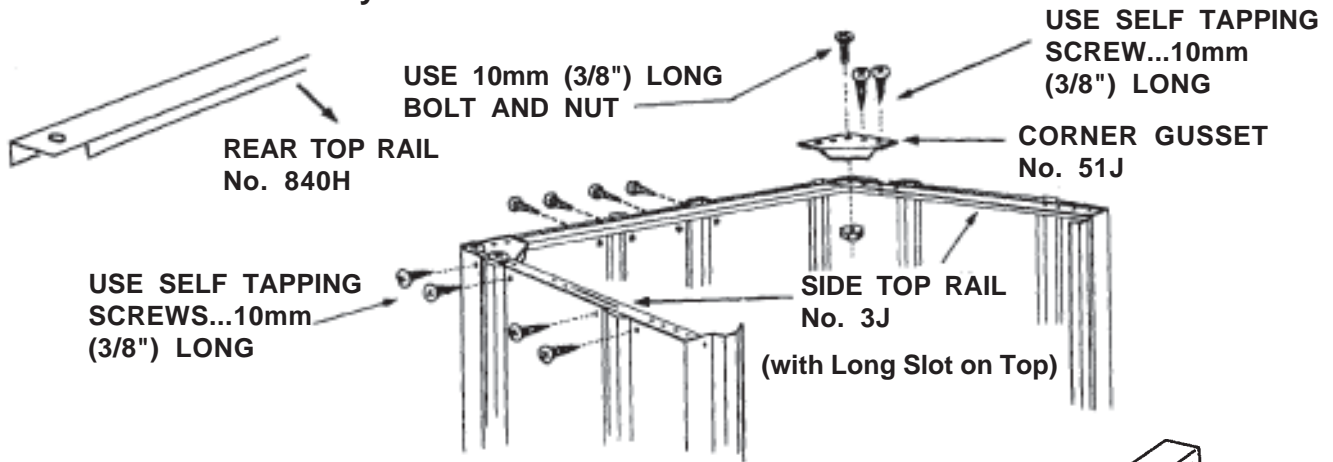
**STEP**  
**2**

Install 4 corner panels to base frame as shown...  
**Do not fasten panels to front base rail.** Then install narrow rear wall panel in correct position.



**STEP**  
**3**

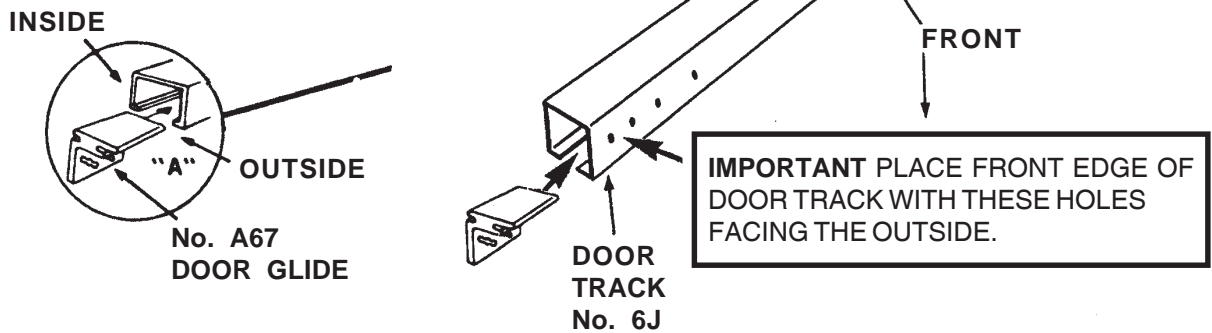
1. Install rear top rail and fasten to wall panels.
2. Fasten side top rail to wall panels.
3. Install 2 rear corner gussets and fasten only in holes indicated.



**STEP**  
**4**

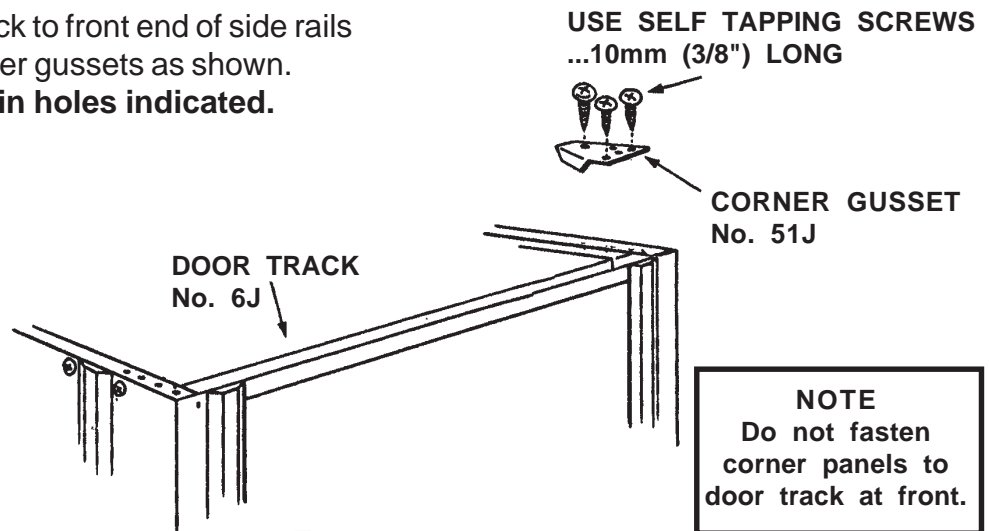
1. Slide 4 door glides into door track (as shown).

SLIDE DOOR GLIDES INTO DOOR TRACK



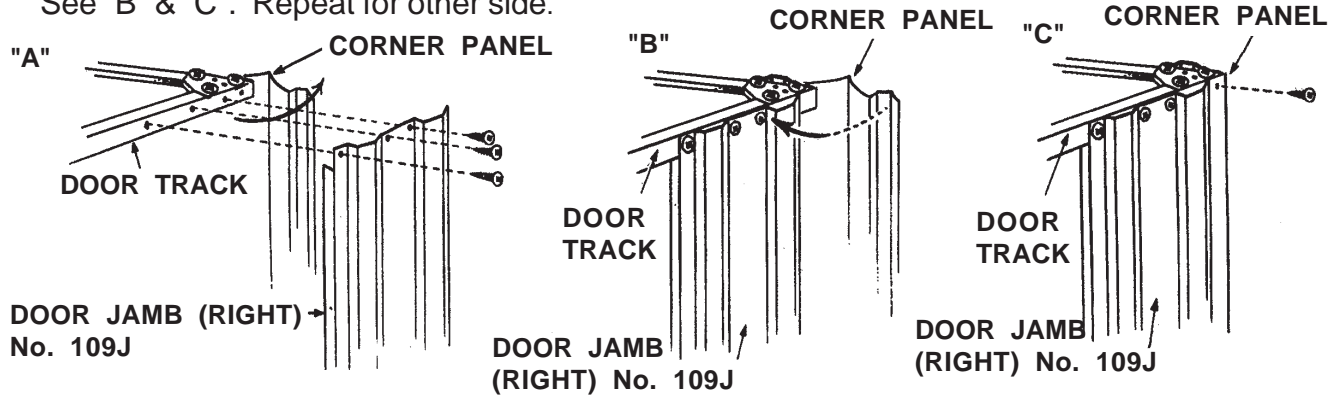
**STEP**  
**5**

1. Install door track to front end of side rails with front corner gussets as shown. Fasten only in holes indicated.



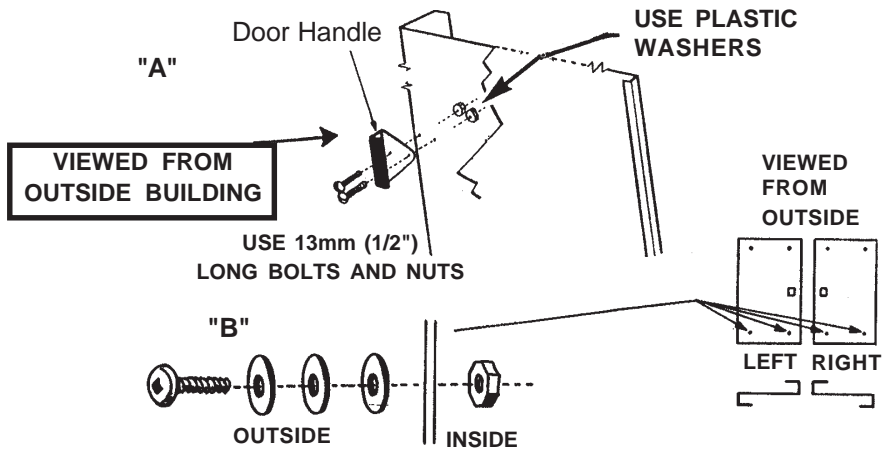
**STEP**  
**6**

1. Carefully swing front section of corner panel away from door track. Position door jamb on side of doorway. Then fasten top and bottom directly to door track and front base rail. See "A".
2. Then swing corner panel back into position and fasten to door track and front base rail. See "B" & "C". Repeat for other side.



**STEP**  
**7**

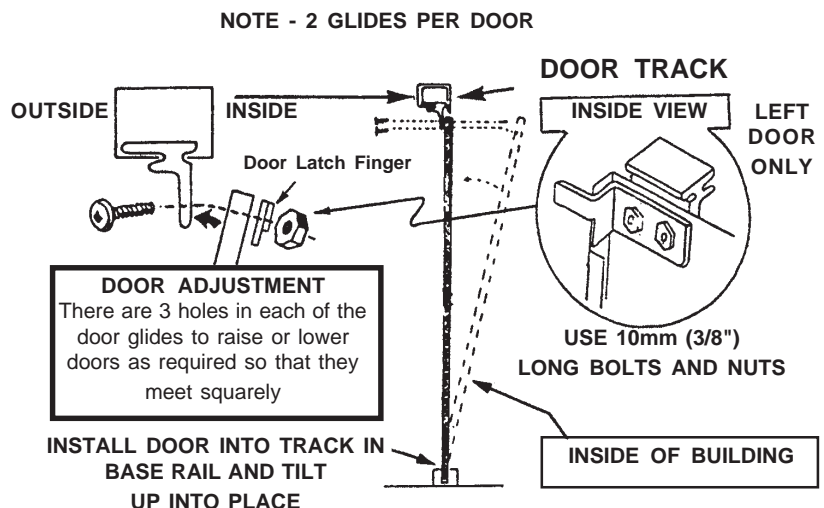
1. Attach door handle using bolts as shown in "A".
2. Install two 6mm (1/4") bolts and nuts with plastic washers at bottom of each door panel. See "B".



**STEP**  
**8**

**DOOR INSTALLATION**

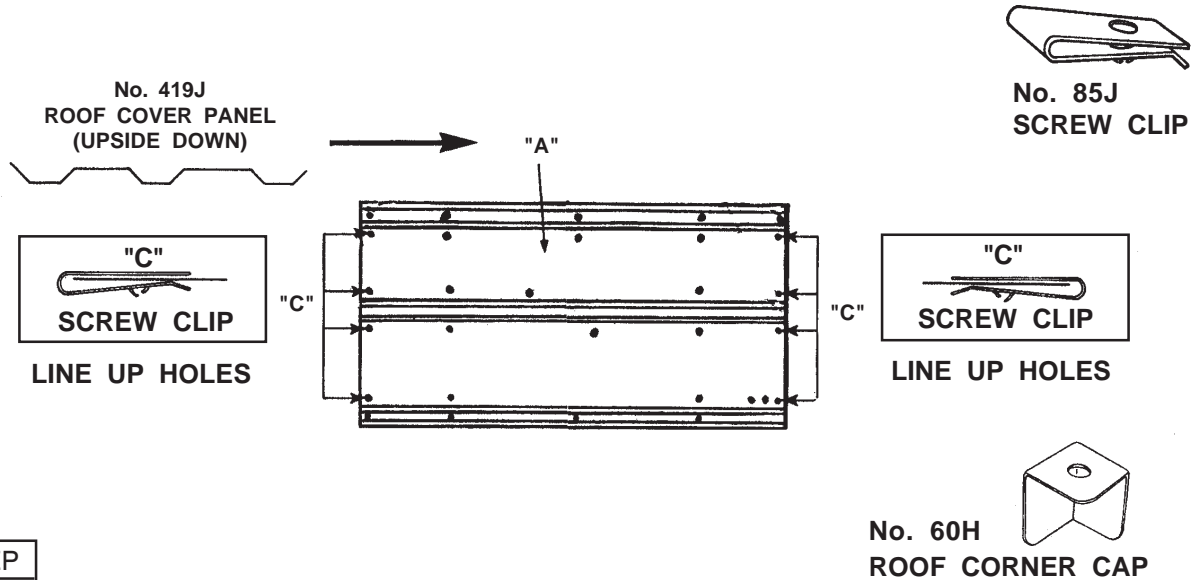
1. Inside and near the corner of building, install bottom lip of left door into track formed in base rail.
2. Position top of door so that holes in door line up with center holes in door glide. Fasten inner door glide (nearest to left door jamb) to door using 10mm (3/8") long bolts and nuts. Position door latch finger (10J) behind door panel and fasten through outer door glide using 10mm (3/8") bolts and nuts. See "A"
3. Install right hand door in the same manner but without the door latch finger.





**STEP**  
**9**

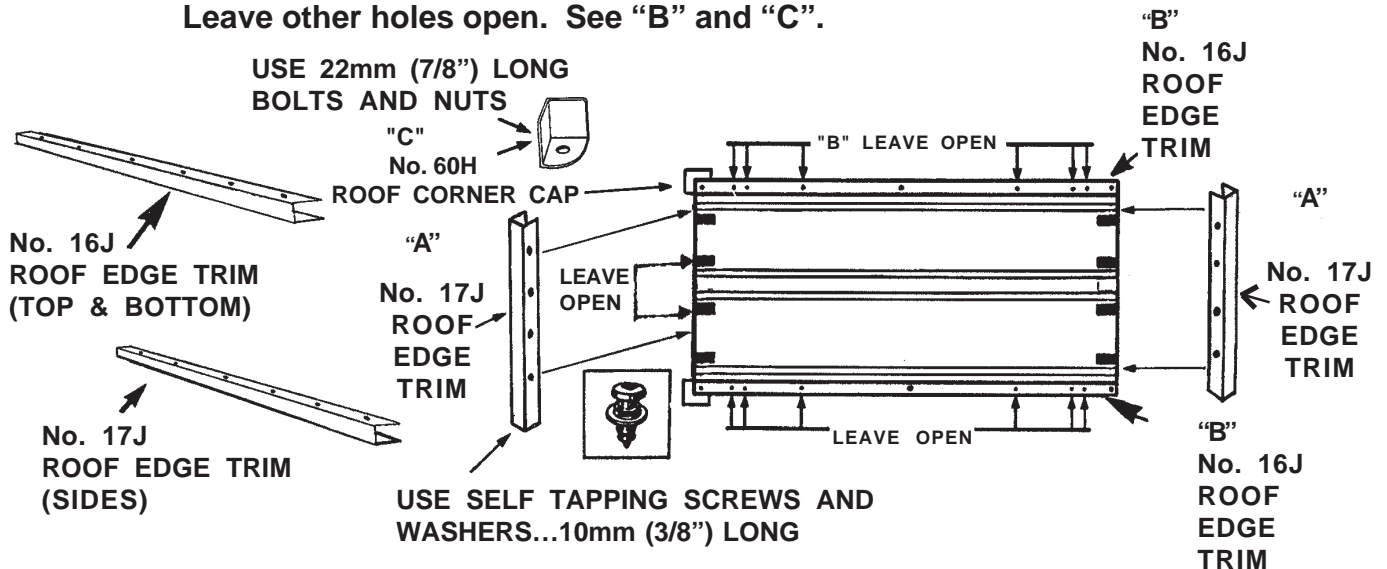
1. Turn roof cover panel **upside down**... be sure hole pattern matches sketch... See "A" below.
2. Install screw clips (85J) over edge of roof cover panel exactly as shown at the hole positions indicated. See "C".



**STEP**  
**10**

1. With panel still upside down, position roof edge trim, 17J (with most holes facing upwards) over sides of panel so that holes line up with screw clips. Fasten through roof cover panel with screws and washers. **NOTE:** Leave the 2 holes, 1 on each side of the center ridge – on the left hand side of the panel, open. See "A" below.
2. Position roof edge trim, 16J, (with most holes facing upwards) over ends of side trim. Line up holes and with 22mm (7/8") long bolts and washers, fasten corner caps to 4 corners through **top** of roof cover panel.

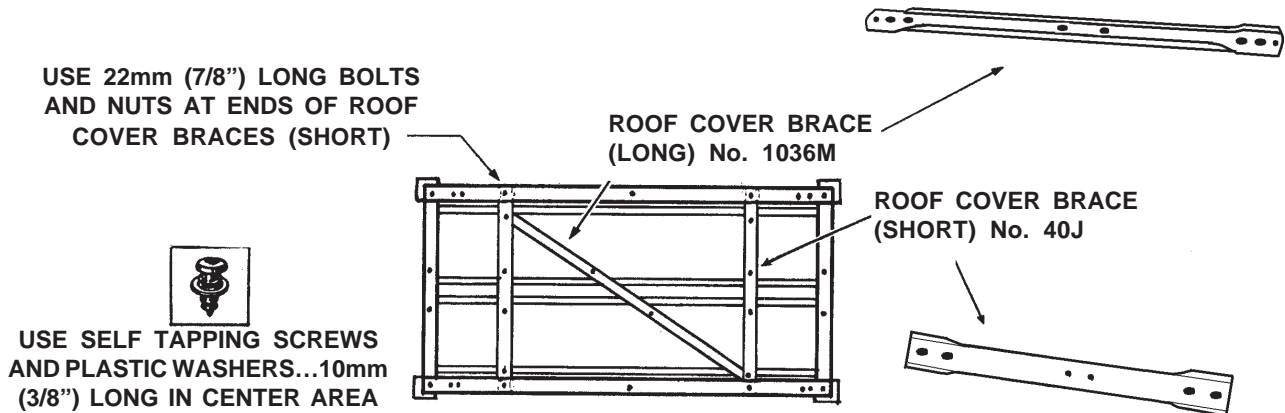
Leave other holes open. See "B" and "C".



## STEP

11

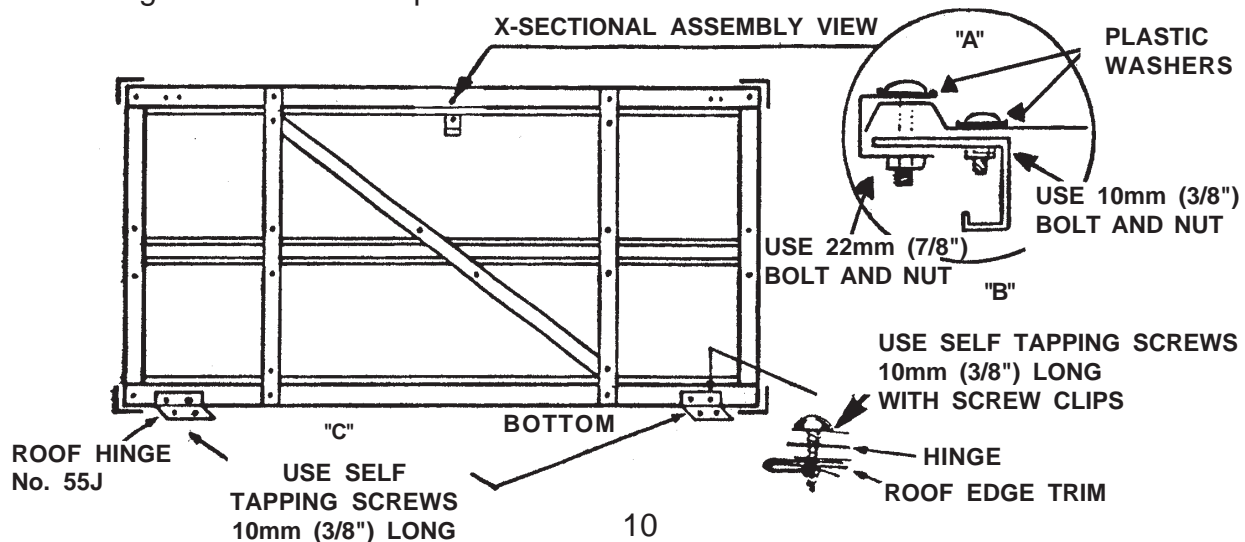
1. Position roof cover brace (long) 1036M diagonally as shown to the underside of panel. Fasten through **top** of panel into brace, at the 2 center holes only, using 10mm (3/8") long bolts and nuts with plastic washers.
2. Position roof cover braces (short) 40J, vertically over ends of diagonal brace (1036M) with ends of each short brace **under** the lips of the top and bottom roof edge trim. Fasten through **top** of roof cover panel with 10mm (3/8") screws and plastic washers in center area only.
3. Fasten extreme end of braces (40J) where they pass under the roof edge trim (16J) with 22mm (7/8") long bolts, nuts and plastic washers.



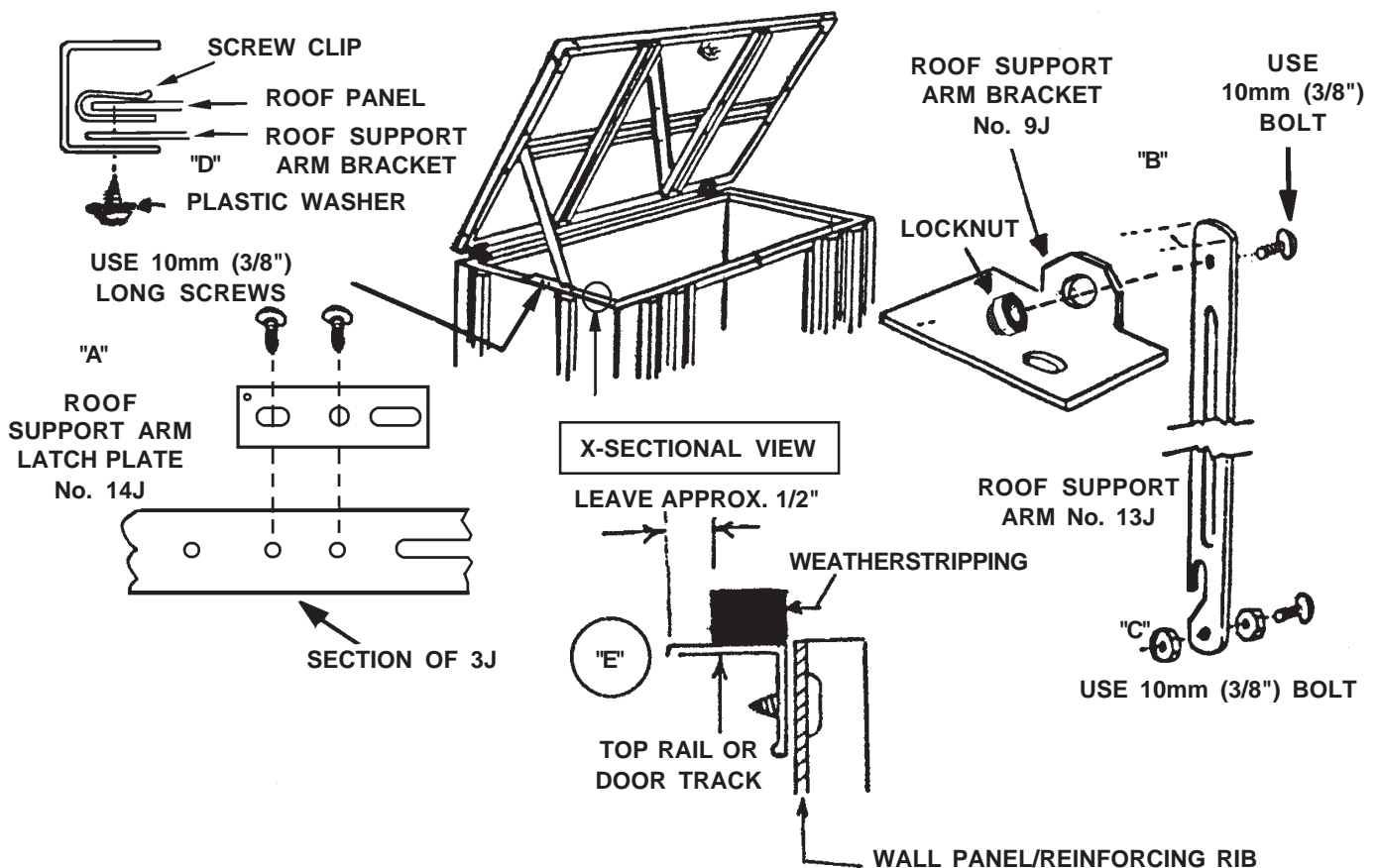
## STEP

12

1. Install roof latch bracket (8J) to top of roof cover with 10mm (3/8") bolt and nut with plastic washer and 22mm (7/8") bolt and nut with plastic washer. See "A". **NOTE:** Leave nuts slack for later adjustments.
2. Tap into place screw clips over the 2 double holes in bottom roof trim (16J). Fasten roof cover hinges (narrow side) to roof cover assembly as shown. See "B".
3. Complete the securing of braces to roof by using 10mm (3/8") and 22mm (7/8") bolts and nuts with plastic washers where required.
4. With help – fasten completed roof cover assembly to base unit by using 10mm (3/8") screws, through hinges into rear corner gussets and rear top rail. See "C". **NOTE:** For a stronger attachment, place screw clips (85J) under holes in rear top rail and tighten screws into clips.



1. Install roof support arm latch plate (14J) on left, top side rail (3J) with two 10mm (3/8") screws so that the slotted holes in each piece overlap as shown. See "A"
2. Assemble roof support arm (13J) and roof support arm bracket (9J) with a 10mm (3/8") bolt and locknut. **Leave slack.** See "B"
3. On the left side of roof, slide roof support arm bracket beneath roof edge trim so that its holes line up with open holes in roof edge trim. Attach with 10mm (3/8") long screws and plastic washers. See "D"
4. Slide other end of support arm (13J) through slot in side top rail, so that notch in arm hooks into the overlapped slot in top rail to support roof in the open position. Install bolt and nut in bottom hole of arm. See "C"
5. Cut self adhesive weatherstripping to length and apply to top rails, as shown in "E".
6. Grease hinges.
7. With lid shut adjust roof latch bracket (8J) so that door latch finger (10J) on left hand door, engages with roof latch bracket to lock lid. Tighten the 2 bolts that hold roof latch bracket to roof.
8. Use large center holes in bottom gussets to anchor unit, if required.



**REPLACEMENT PARTS OR ANY QUESTIONS REGARDING YOUR BUILDING SHOULD BE REFERRED DIRECTLY TO THE FACTORY. DO NOT CONTACT YOUR DEALER, THEY ARE NOT EQUIPPED TO SERVICE YOUR REQUESTS AS PROMPTLY AS THE CUSTOMER SERVICE DEPARTMENT AT THE FACTORY (1-800-851-1085).**

**PARTS REPLACEMENT ORDER FORM**

---

<b>** MODEL NO. _____ **</b>			NAME: _____		
<b>Parts Required</b>	<b>PART NO.</b>	<b>QTY.</b>	<b>COLOR</b>	ADDRESS: _____	
				CITY: _____ PROVINCE/STATE: _____	
				POSTAL CODE/ZIP: _____ TELEPHONE: _____	
				PURCHASED FROM: _____	
				STORE ADDRESS: _____	
				DATE PURCHASED: _____	
FOR PARTS REPLACEMENT PLEASE CONTACT CUSTOMER SERVICE DEPARTMENT. TELEPHONE NO. (1-800-851-1085)					

**or Mail To: Spacemaker, Ltd.  
 3069 Wolfedale Road  
 Mississauga, Ontario L5C 1V9**