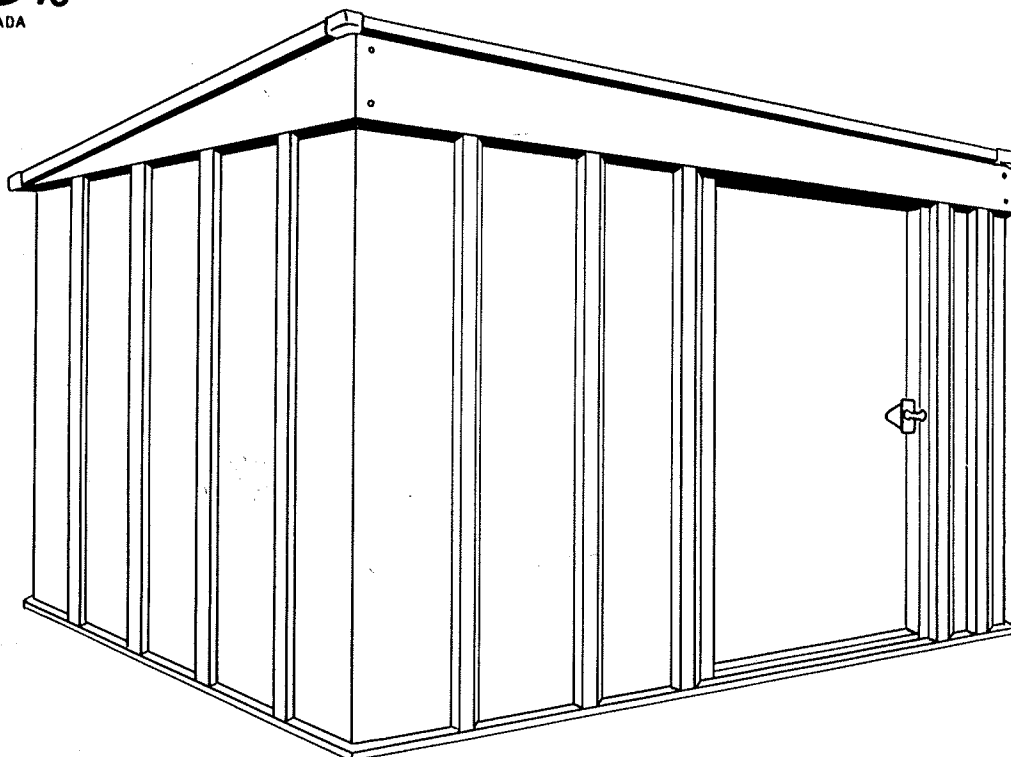


OWNER'S MANUAL **FOR MODEL 166P127 (P54)**



Manufactured from
stelcolour
Prefinished Steel

EASY TO INSTALL

Garden and Storage Buildings **Manufactured by Spacemaker Limited**

CONTENTS

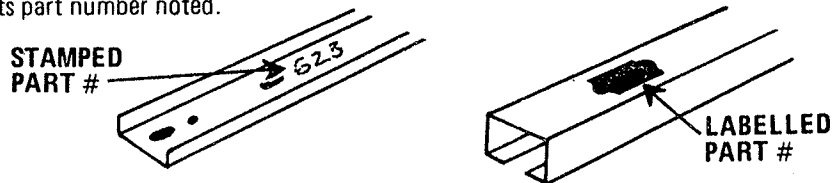
- Pre-construction instructions
- Assembling the building
- Anchoring the frame
- Parts List and ordering information.

PROCEED WITH CONFIDENCE

It might look complicated when you first unpack your building --- but it really isn't. Simply follow the illustrated instructions and your building will go up quickly and accurately.

ASSEMBLY INSTRUCTIONS –

- **Before you start** --- read through instructions carefully!
- **Get a friendly neighbour to help you** --- you'll find a helping hand will speed the job and make assembly easier.
- **Selecting your site** --- choose an area that's firm and level yet allows drainage away from site. **WARNING!** --- **DO NOT INSTALL YOUR BUILDING IN AREAS SUBJECTED TO HIGH WINDS OR ERECT ON A WINDY DAY. ANY BUILDING LEFT PARTLY CONSTRUCTED MAY BE SERIOUSLY DAMAGED IF LEFT IN THIS STATE.**
- **Sort and separate all parts and hardware** --- checking with your instructions and the illustrated parts check lists|Pages 4 & 5 --- to be sure you have all parts and know where they belong in the building. Each part is numbered and illustrated, the quantity required and its part number noted.

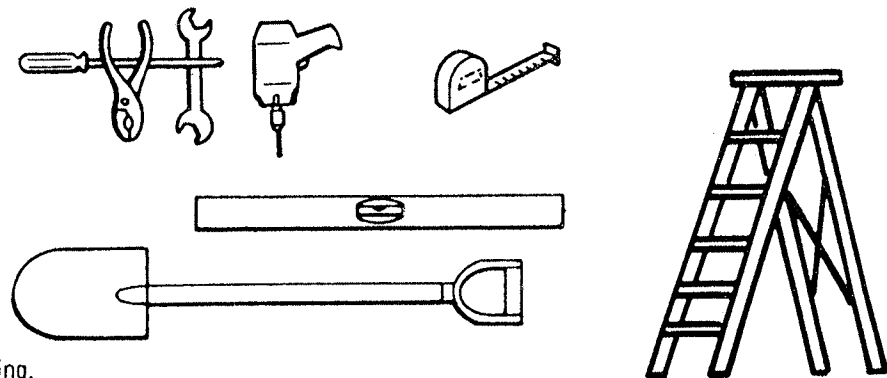


- **Follow step by step instructions carefully** --- complete each step before going on to the next one.
- **Retain this manual after assembly is completed** --- it contains a complete parts list.

* **CANADA ONLY – REPLACEMENT PARTS OR ANY QUESTION RE YOUR BUILDING SHOULD BE REFERRED DIRECTLY TO THE FACTORY. DO NOT CONTACT YOUR DEALER. HE IS NOT EQUIPPED TO SERVICE YOUR REQUESTS AS PROMPTLY AS THE CUSTOMER SERVICE DEPARTMENT AT THE FACTORY.**

TOOLS REQUIRED –

- Robertson Head Screwdriver (No. 2)
- Pair of Pliers.
- Wrench for 10mm (3/8") nuts.
- Step Ladder 1.52m (5 ft.)
- Steel Tape Measure 2.44 m (8 ft.)
- * • Carpenter's Level
- * • Spade or Shovel
- * • Electric Drill



* Used for leveling and anchoring building.

LAWN BUILDING CARE

- **Care free maintenance** – Your building has been designed to give you years of care free service. All parts have been precision engineered for perfect fit. It is manufactured from heavily galvanized steel with exterior parts pre-enameled on both sides at the steel mill. Periodically clean and wax the exterior. This will enhance the appearance and prolong the usefulness of your building for many years.
- **IMPORTANT** – This Building is designed to withstand normal wind loads when installed according to instructions. Spacemaker Ltd. cannot be held responsible for any consequences due to buildings that are not installed per instructions or for damage due to weather conditions or acts of God.

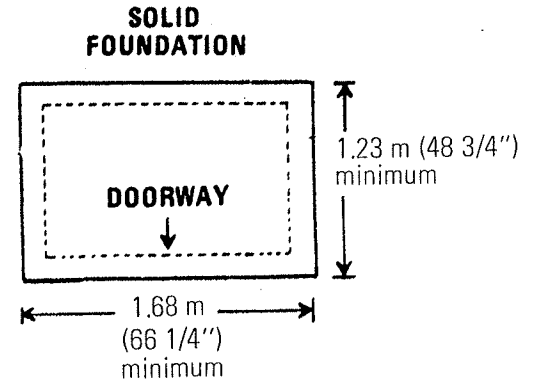
1

PREPARATION OF BUILDING SITE

This building must be constructed on a **SOLID BASE FOUNDATION**. We recommend a poured concrete pad or large size concrete patio stone squares for a suitable floor and base. Whichever you select - - **make sure** your foundation area is firm and level and will allow drainage away from the site. Make your solid base foundation at least 4" (100 mm) larger than your building and check the type of anchoring procedure and hardware required . . . **See Page 13 NOW!**

NOTE: For a concrete pad base, prepare a level bed for a firm footing layer of crushed stone. The concrete pad should then be poured to a thickness of 4" (100 mm) to 5" (125 mm). When completed allow to dry thoroughly for at least 48 hours.

NOTE –
YOUR SOLID FOUNDATION
BASE MUST BE AT LEAST 100mm
(4") LARGER THAN THE
OUTSIDE MEASUREMENTS OF
BUILDING.

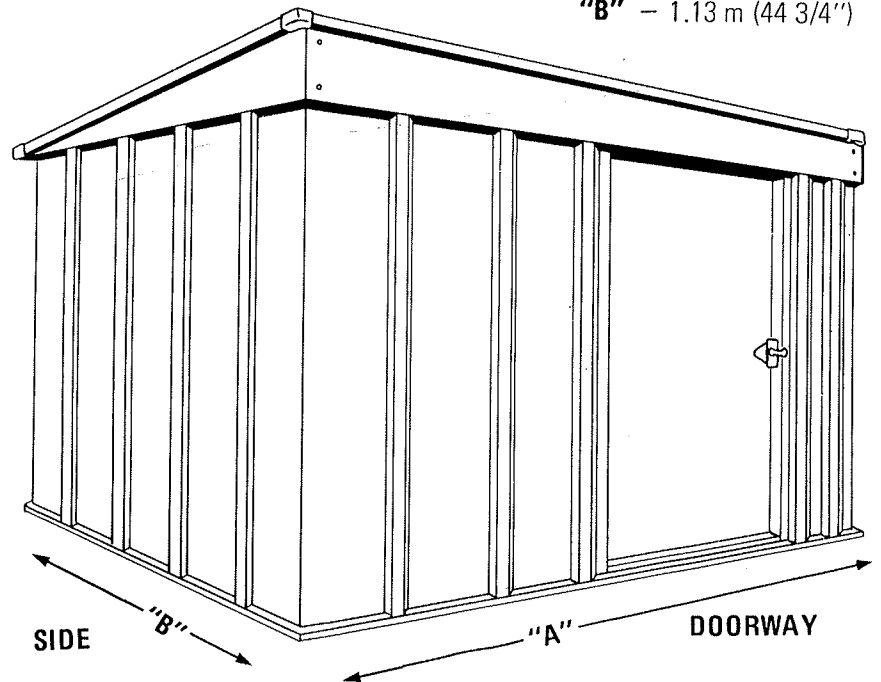


APPROXIMATE OUTSIDE MEASUREMENTS OF BUILDING AT BASE --- Model 166P127 (P54) "A" – 1.58 m (62 1/4")
"B" – 1.13 m (44 3/4")

YOUR BUILDING MUST BE ANCHORED

Your Building must be firmly anchored to your concrete pad or large concrete patio stone squares . . . To help protect against damage in high winds.

FURTHER ANCHORING INSTRUCTIONS FOLLOW AFTER ALL WALL AND ROOF PANELS HAVE BEEN INSTALLED.

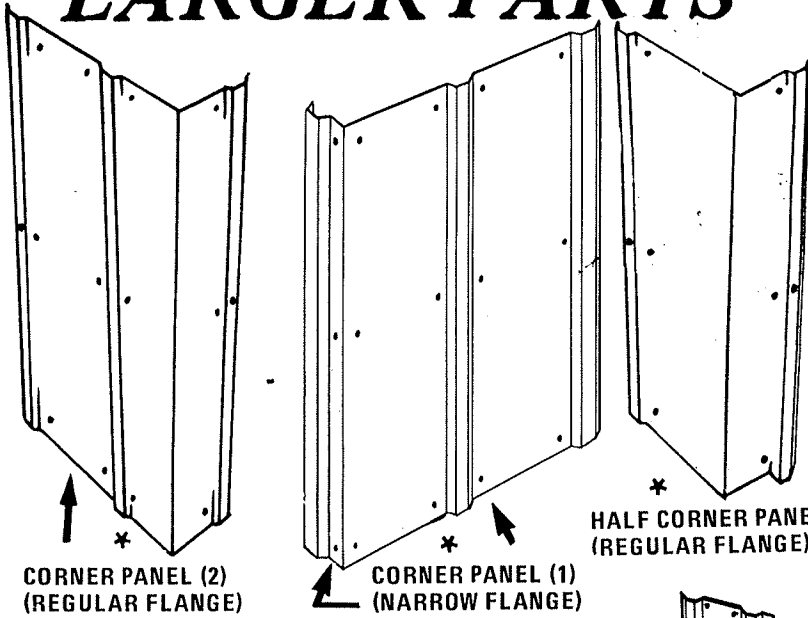


Model 166P127 (P54)	HARDWARE PACKAGE	PKG. No. P5
	SELF TAPPING SCREWS 3/8" (10 mm) LONG	140
	3/16" x 3/8" (10 mm) LONG BOLTS AND NUTS	44
	3/16" x 1/4" (6 mm) LONG BOLTS AND NUTS	5
	ROOF CORNERS No. 60H	4
	DOOR GLIDES No. A67	2
	1/2" (13 mm) LONG BLACK BOLTS AND NUTS – No. G65	2

LARGER PARTS

ILLUSTRATED PARTS

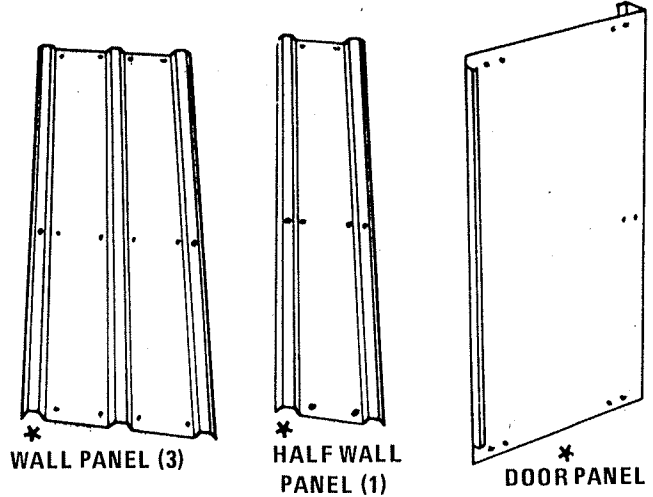
NOTE: DRAWINGS ARE NOT TO SCALE, BUT ARE DESIGNED TO SHOW CROSS SECTIONS AND GENERAL CONFIGURATION TO AID IDENTIFICATION.



*
CORNER PANEL (2)
(REGULAR FLANGE)

*
CORNER PANEL (1)
(NARROW FLANGE)

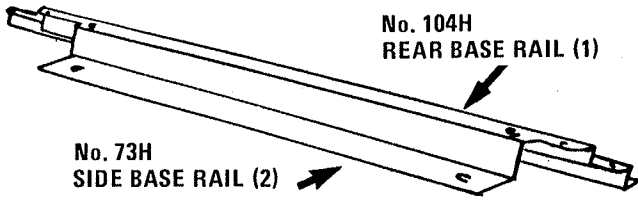
*
HALF CORNER PANEL (1)
(REGULAR FLANGE)



*
WALL PANEL (3)

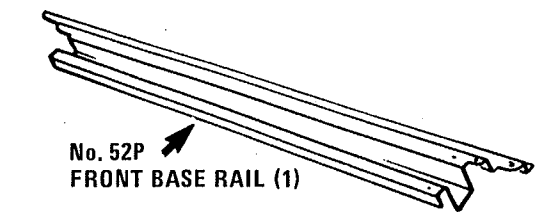
*
HALF WALL
PANEL (1)

*
DOOR PANEL (1)

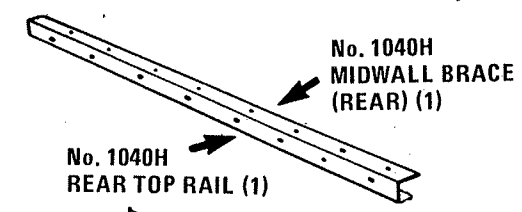


No. 104H
REAR BASE RAIL (1)

No. 73H
SIDE BASE RAIL (2)

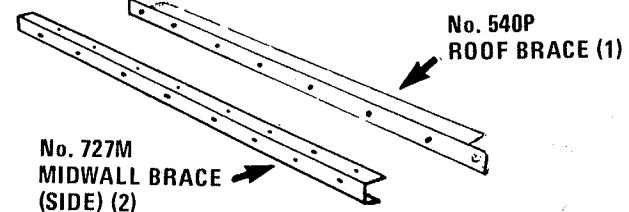


No. 52P
FRONT BASE RAIL (1)



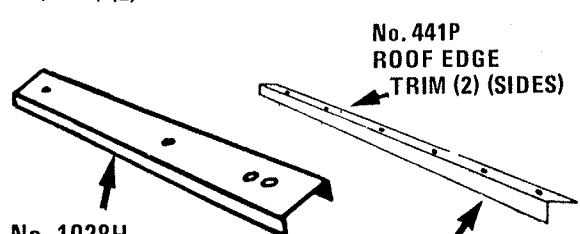
No. 1040H
MIDWALL BRACE
(REAR) (1)

No. 1040H
REAR TOP RAIL (1)

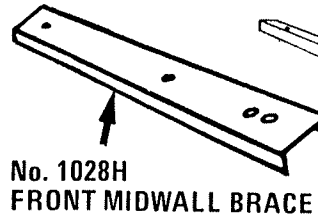


No. 540P
ROOF BRACE (1)

No. 727M
MIDWALL BRACE
(SIDE) (2)



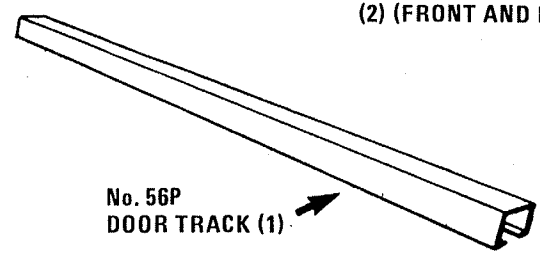
No. 441P
ROOF EDGE
TRIM (2) (SIDES)



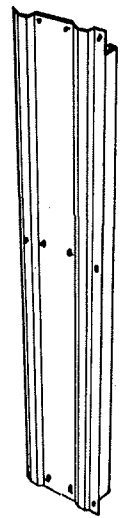
No. 1028H
FRONT MIDWALL BRACE



No. 541P
ROOF EDGE TRIM
(2) (FRONT AND REAR)



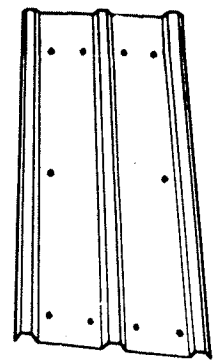
No. 56P
DOOR TRACK (1)



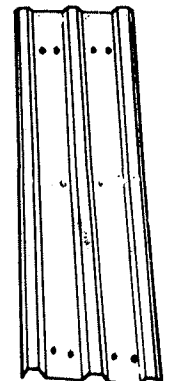
No. 69P
DOOR JAMB
(LEFT) (1)



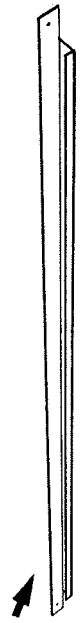
No. 89P
DOOR JAMB
(RIGHT) (1)



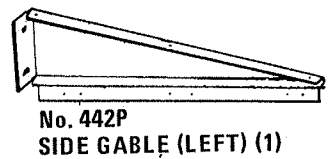
No. A519P
OUTER ROOF PANEL (2)



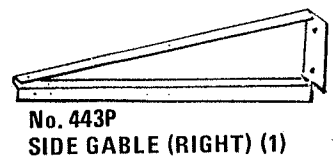
No. B519P
CENTRE
ROOF PANEL (1)



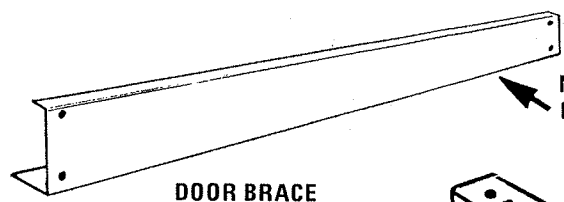
VERTICAL
DOOR BRACE
No. 61H



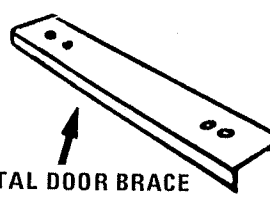
No. 442P
SIDE GABLE (LEFT) (1)



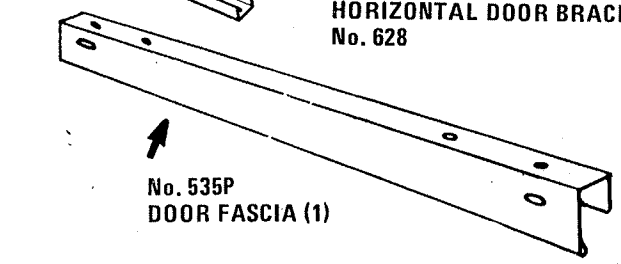
No. 443P
SIDE GABLE (RIGHT) (1)



DOOR BRACE
TOP & BOTTOM
No. 1030



HORIZONTAL DOOR BRACE
No. 628



No. 535P
DOOR FASCIA (1)

No. 587P
FRONT FASCIA

PARTS

FOR CANADA ONLY -

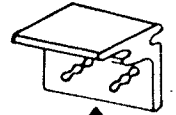
REPLACEMENT PARTS OR ANY QUESTION RE YOUR BUILDING SHOULD BE REFERRED DIRECTLY TO THE FACTORY. DO NOT CONTACT YOUR DEALER. HE IS NOT EQUIPPED TO SERVICE YOUR REQUESTS AS PROMPTLY AS THE CUSTOMER SERVICE DEPARTMENT AT THE FACTORY.

SMALL PARTS

MODEL 166P127 (P54) - PARTS			
PART NAME	PART NO	QTY	REQ.
REAR BASE RAIL	104H	1	
SIDE BASE RAIL	73H	2	
FRONT BASE RAIL	52P	1	
CORNER PANEL (REGULAR FLANGE)	*	2	
CORNER PANEL (NARROW FLANGE)	*	1	
HALF CORNER PANEL	*	1	
REAR TOP RAIL	1040H	1	
SIDE GABLE (LEFT)	442P	1	
SIDE GABLE (RIGHT)	443P	1	
DOOR TRACK	56P	1	
DOOR JAMB (LEFT)	69H	1	
DOOR JAMB (RIGHT)	89P	1	
FRONT MIDWALL BRACE	1028P	1	
FRONT FASCIA	587P	1	
WALL PANELS	*	3	
HALF WALL PANEL	*	1	
MIDWALL BRACE (REAR)	1040H	1	
MIDWALL BRACE (SIDES)	727M	2	
ROOF BRACE	540P	1	
ROOF PANELS (OUTER)	A519P	2	
ROOF PANEL (CENTRE)	B519P	1	
ROOF EDGE TRIM (FRONT AND REAR)	541P	2	
ROOF EDGE TRIM (SIDES)	441P	2	
DOOR PANEL	*	1	
DOOR BRACES (TOP AND BOTTOM)	1030	2	
VERTICAL DOOR BRACE	61H	1	
HORIZONTAL DOOR BRACE	628	1	
DOOR FASCIA	535P	1	
SMALL WASHERS (TREE OF 64)-ROOF	C61	1	
DOOR HANDLE	*	1	
LOCK ASSEMBLY	*	1	
HARDWARE PACKAGE (SEE PAGE 3) CONTAINS NUTS, BOLTS AND SCREWS PLUS	P5	1	
ROOF CORNER CAP	60H	4	
DOOR GLIDES	A67	2	
BOLTS AND NUTS FOR DOOR HANDLE	G65	2	
OWNER'S MANUAL	MP54	1	



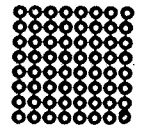
No. P5
NUT, BOLT AND SCREWPACK (1)
(SEE PAGE 3)



No. A67
DOOR GLIDE (2)



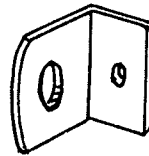
* DOOR HANDLE (1)



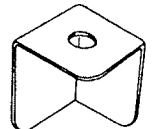
No. C61
SMALL WASHER TREE - ROOF
TREE OF 64 (1)



No. G65
DOOR HANDLE BOLT AND NUT (2)



LOCK ASSEMBLY (1)



No. 60H
ROOF CORNER CAP (4)

***NOTE-** WHEN ORDERING WALL PANELS, HALF WALL PANELS, CORNER PANELS, HALF CORNER PANELS, DOOR PANELS, OR DOOR HANDLES FOR REPLACEMENT ----- YOU MUST PROVIDE THE PART NUMBER SHOWN ON THE LABEL FOUND ON THE INSIDE OF THE DOOR PANEL.

**"THE PRICES AND THE PARTS REPLACEMENT ORDER FORM ARE FOR CANADA ONLY.
PLEASE REFER TO YOUR LOCAL RETAILER FOR PRICES AND SUPPLY OF PARTS OUTSIDE CANADA."**
PARTS REPLACEMENT ORDER FORM

**FREIGHT CHARGES PER SHIPMENT - ♦ PARTS - SHIPPED COLLECT
ALL OTHER PARTS - SHIPPED PREPAID**

* MODEL NO. <u>P54</u>				PLEASE PRINT			
PARTS REQUIRED							
PART NO.	QTY.	COLOUR	PRICE				
				NAME: _____			
				ADDRESS: _____			
				CITY: _____ PROVINCE: _____			
				TELEPHONE: _____ POSTAL CODE _____			
				PURCHASED FROM _____			
				STORE ADDRESS: _____			
				DATE PURCHASED: _____			
TOTAL COST: _____							
NOTE: ENCLOSE CHEQUE OR MONEY ORDER FOR TOTAL AMOUNT. NO. C.O.D. PLEASE							

MAIL TO: SPACEMAKER LIMITED, 3069 WOLFEDALE ROAD, MISSISSAUGA, ONT. L5C 1V9

2

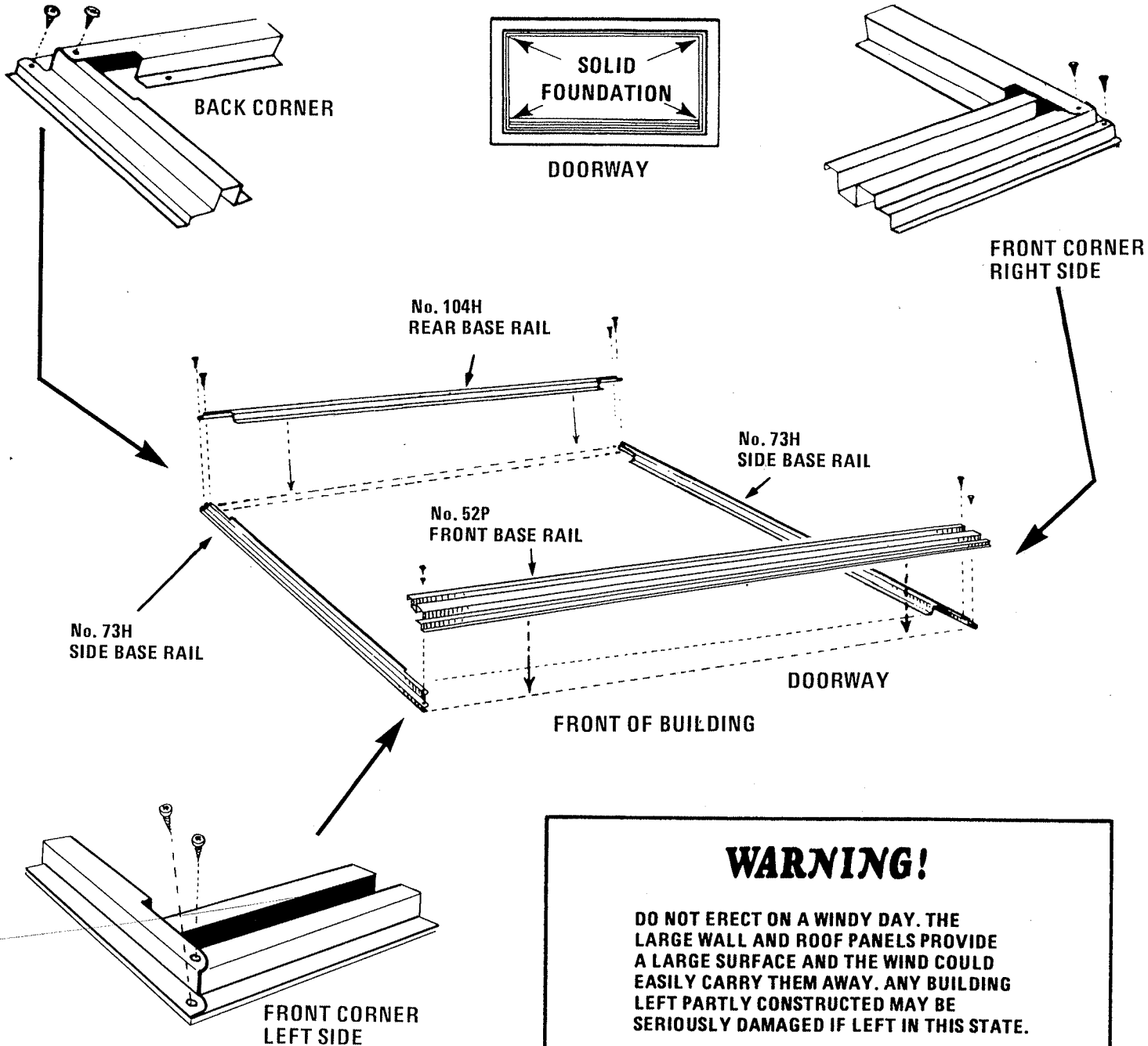
BASE FRAME ASSEMBLY

1. Assemble all 4 base rails into a base frame in proper position on your foundation. Use 10 mm (3/8") self tapping screws on front and on back corners.
2. Check base frame for squareness by measuring diagonal corners. Your measurements should be equal. See "A".

*** AFTER ASSEMBLY CHECK BASE DIMENSIONS (SEE PAGE 3) TO VERIFY CORRECT POSITION OF RAILS.**

 USE SELF TAPPING SCREWS... 3/8" (10 mm) LONG

"A"



WARNING!

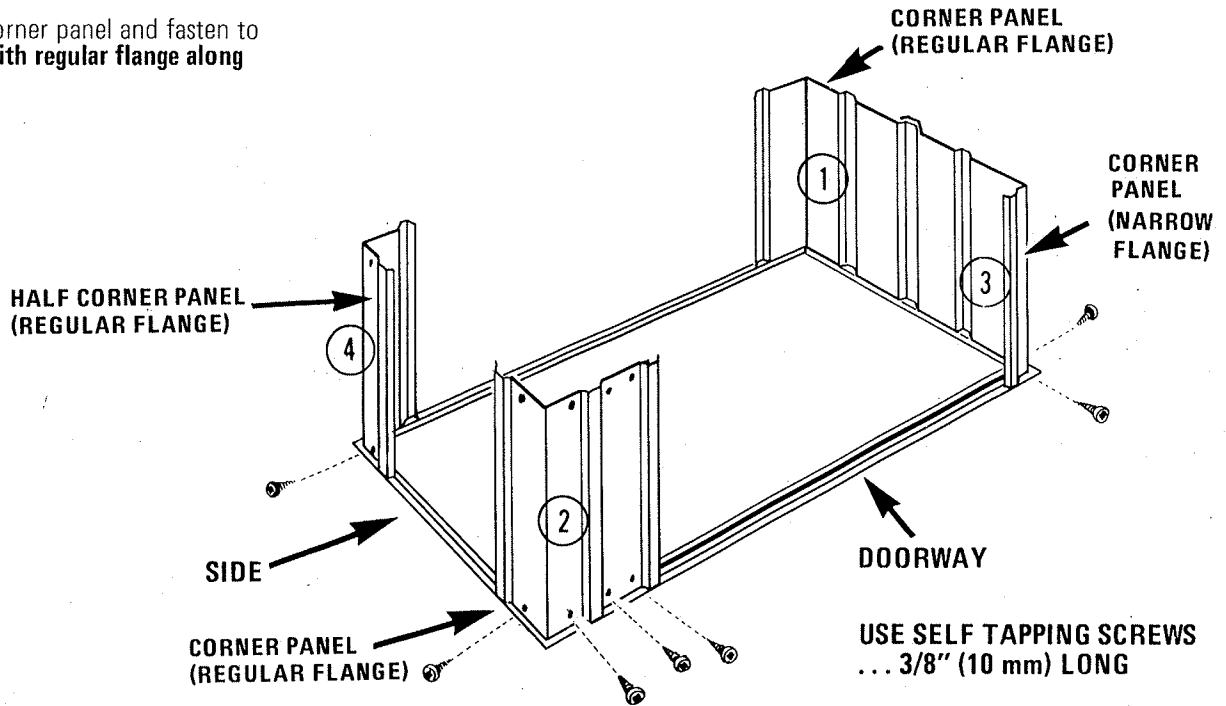
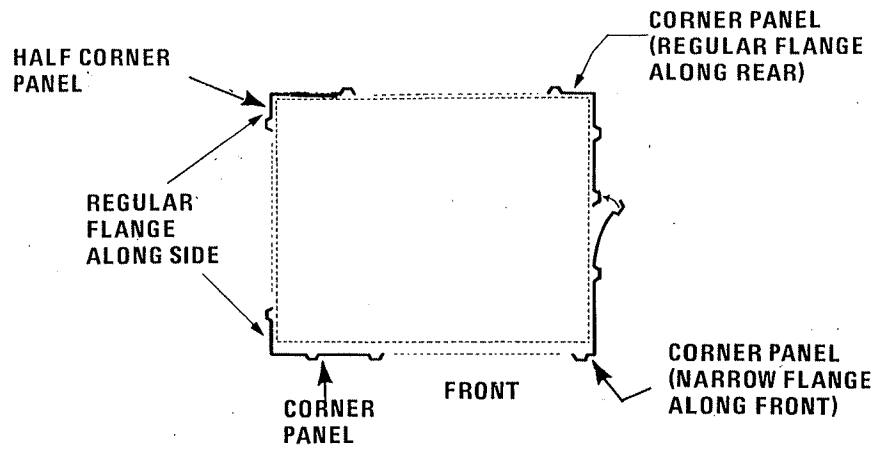
DO NOT ERECT ON A WINDY DAY. THE LARGE WALL AND ROOF PANELS PROVIDE A LARGE SURFACE AND THE WIND COULD EASILY CARRY THEM AWAY. ANY BUILDING LEFT PARTLY CONSTRUCTED MAY BE SERIOUSLY DAMAGED IF LEFT IN THIS STATE.

*** AFTER ASSEMBLY CHECK BASE DIMENSIONS (SEE PAGE 3) TO VERIFY CORRECT POSITION OF RAILS.**

3

CORNER PANELS

1. Position **right rear** corner panel and fasten to rear and side base rails . . . **with regular flange of panel along the rear of the building.**
2. Position **left front** corner panel and fasten to front and side base rails . . . **with regular flange of panel along the side of building.**
3. Position **right front** corner panel and fasten to front and side base rails . . . **with narrow flange of panel along the front of the building.**
4. Position **left rear** half corner panel and fasten to rear and side rails . . . **with regular flange along side of building.**

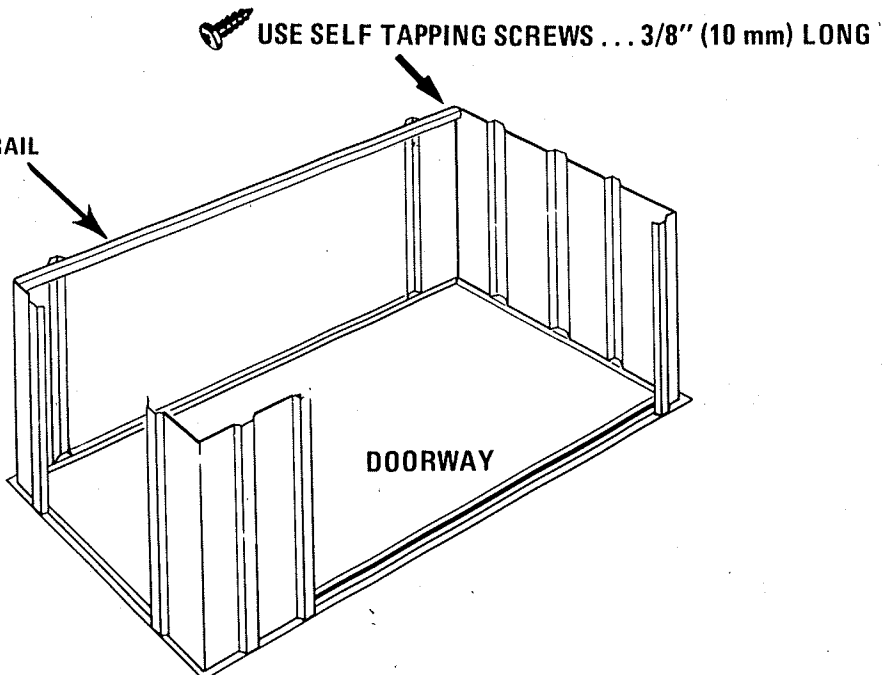


4

REAR TOP RAIL

1. Install rear top rail No. 1040H. Fasten to top of corner panels.

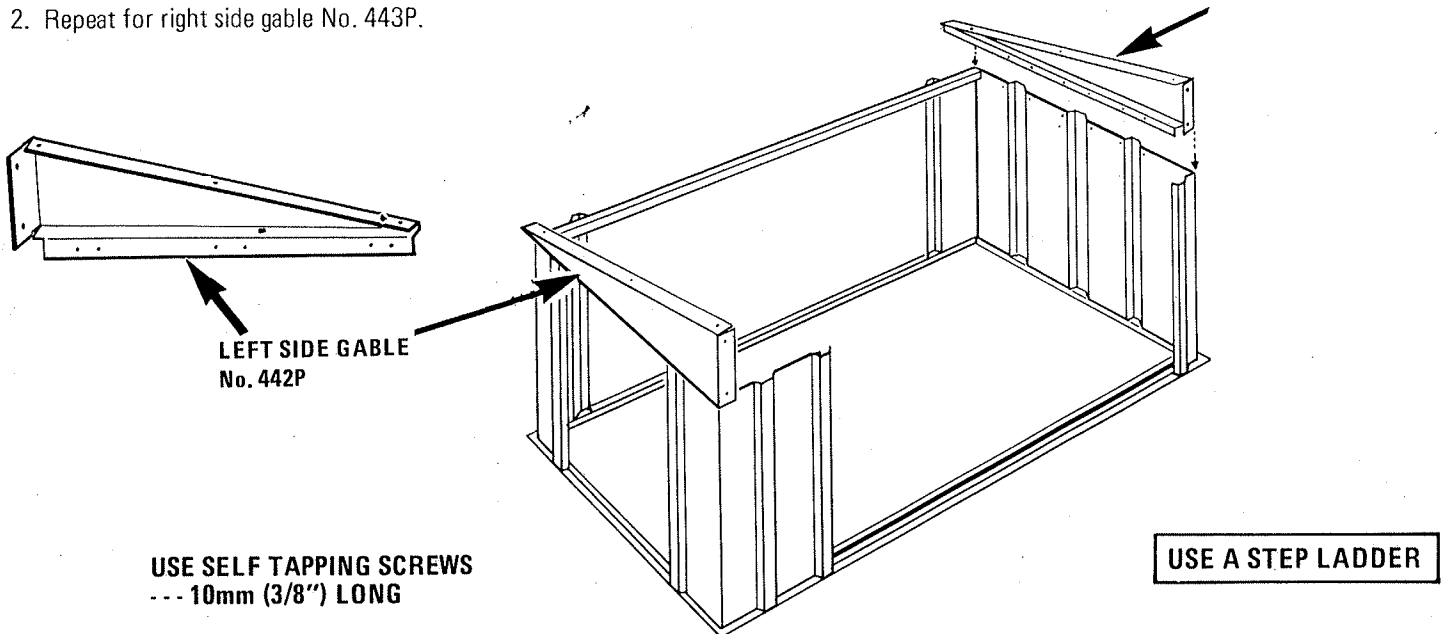
No. 1040H
REAR TOP RAIL



5

SIDE GABLE INSTALLATION

1. Install left side gable No. 442P with return lip inside the corner panels.
2. Repeat for right side gable No. 443P.

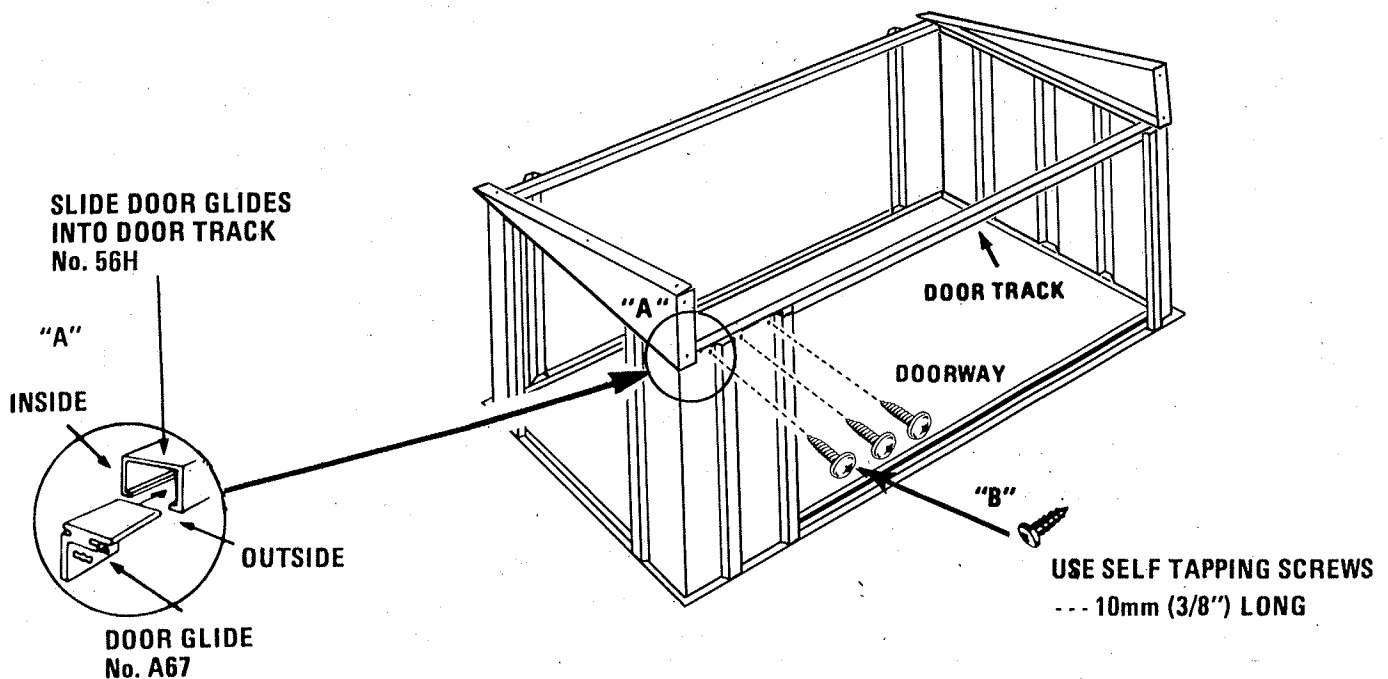


6

DOOR TRACK INSTALLATION

1. Install 2 door glides No. A67 into door track No. 56P. See "A".
2. Fasten door track to the front corner panels with screws. See "B".

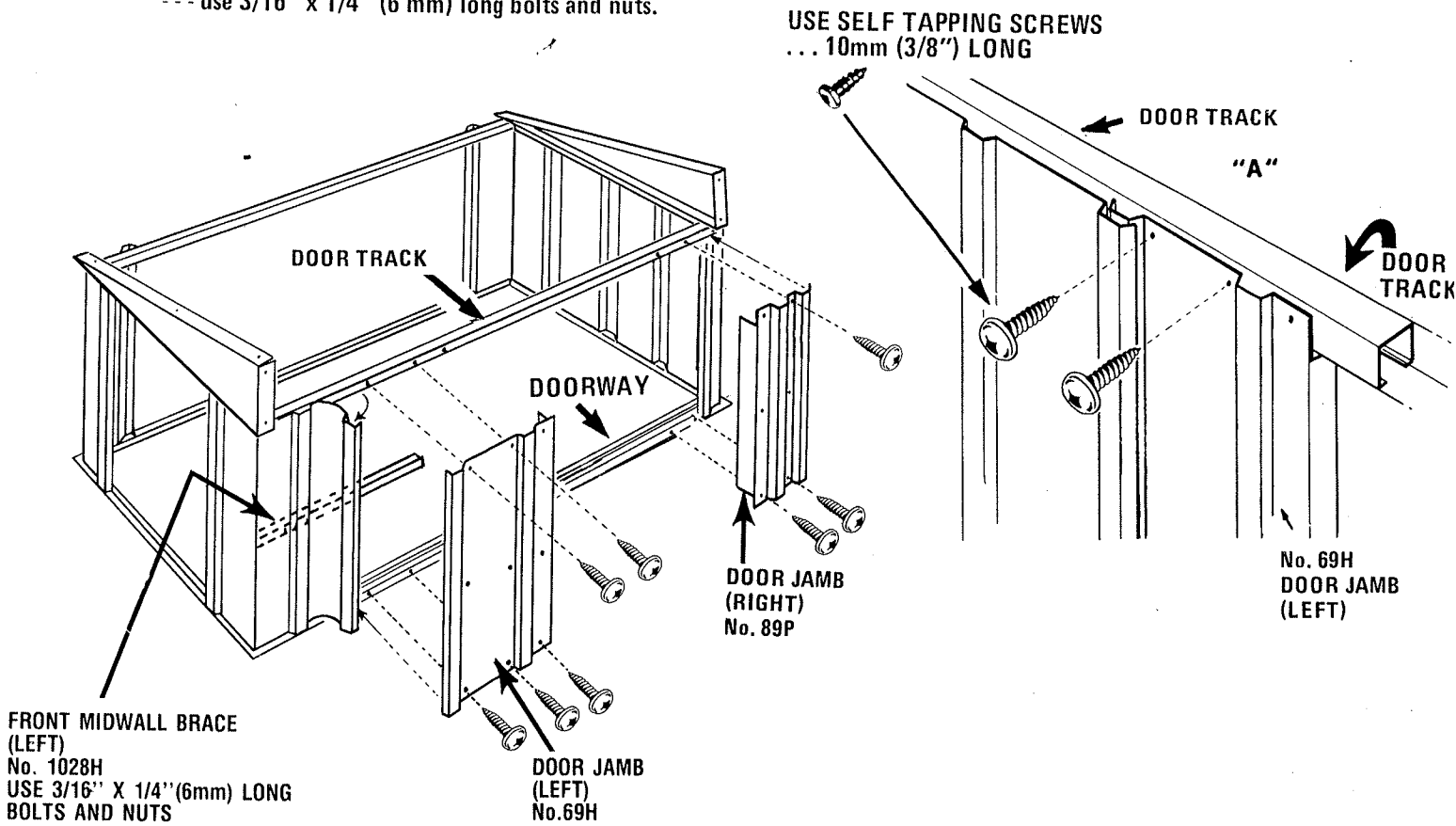
IMPORTANT PLACE EDGE OF DOOR TRACK WITH THE MOST HOLES FACING THE OUTSIDE.



7

DOOR JAMBS AND FRONT MIDWALL BRACES

1. Install left door jamb (No. 69H) on front base rail section with screws. At the midwall height on the fasten with 3/16" x 3/8" (10 mm) long bolts and nuts.
2. Repeat for right door jamb (No. 89P).
3. Install left front midwall brace (No. 1028H) ---
--- use 3/16" x 1/4" (6 mm) long bolts and nuts.



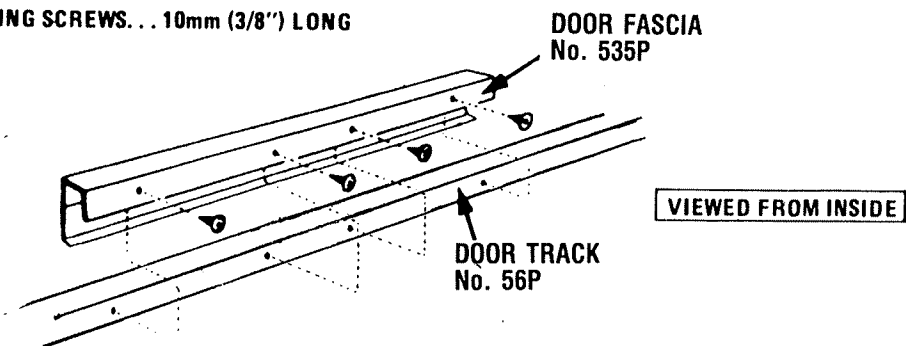
8

INSTALLATION OF DOOR FASCIA

SEE PAGES 4 and 5 FOR PROFILE, CORRECT PART No. AND QUANTITY REQUIRED FOR YOUR BUILDING.

1. Install door fascia No. 535P over door track and door jambs. Fasten with screws.

USE SELF TAPPING SCREWS... 10mm (3/8") LONG



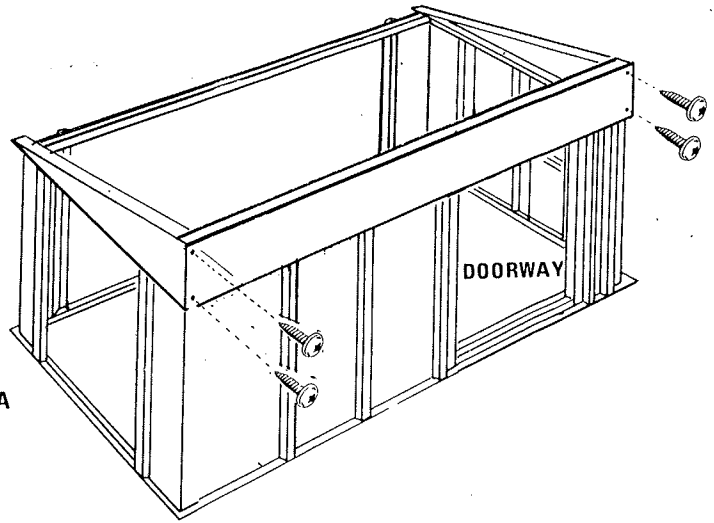
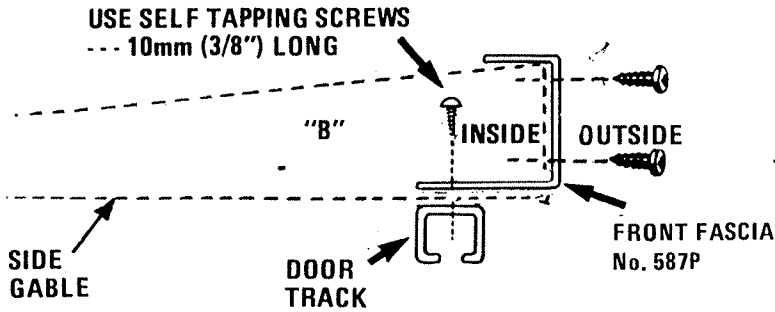
9

FRONT FASCIA



USE SELF TAPPING SCREWS --- 10mm (3/8") LONG

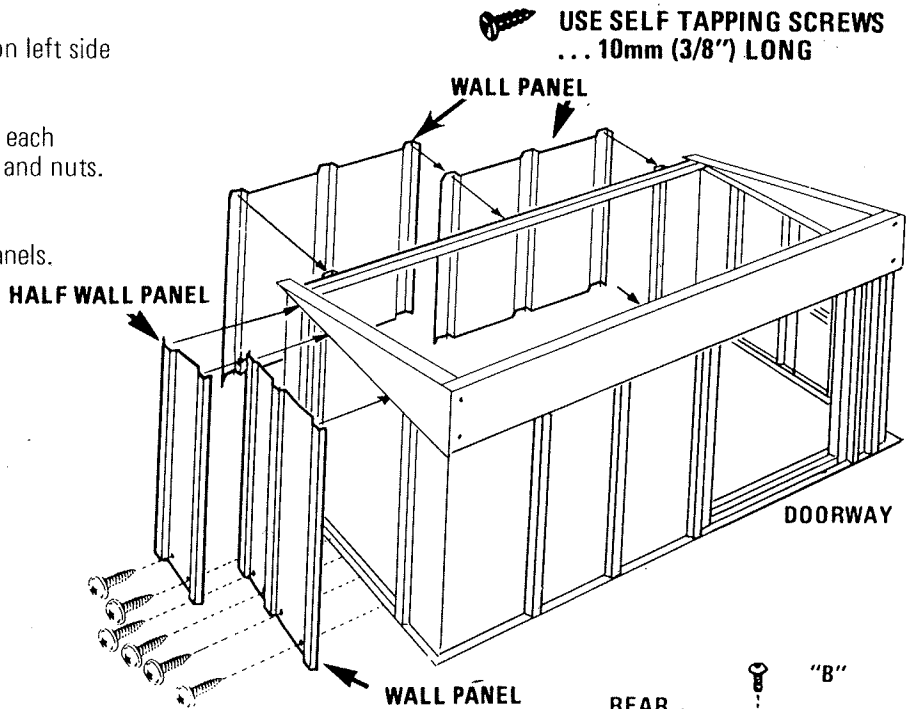
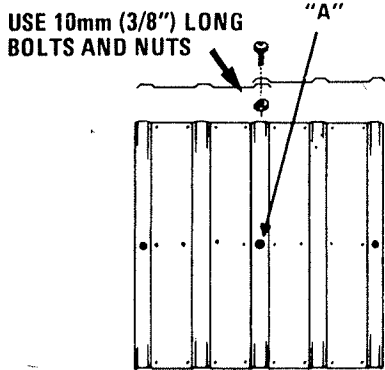
1. Install front fascia No. 587P to the door track. See "B". Use self tapping screws to fasten front fascia to side gables and door track.



10

SIDE AND REAR WALL PANELS

1. Install one half wall panel and one full wall panel on left side wall ... fasten to base rails and side gables.
2. At the midwall height on the overlap ridge joint of each wall panel ... fasten with 10mm (3/8") long bolts and nuts. See "A".
3. Repeat above procedure to install two rear wall panels. Fasten to base rail and top rail.

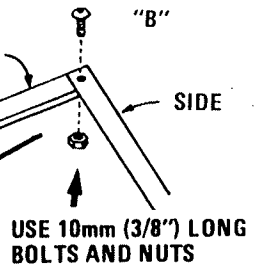


11

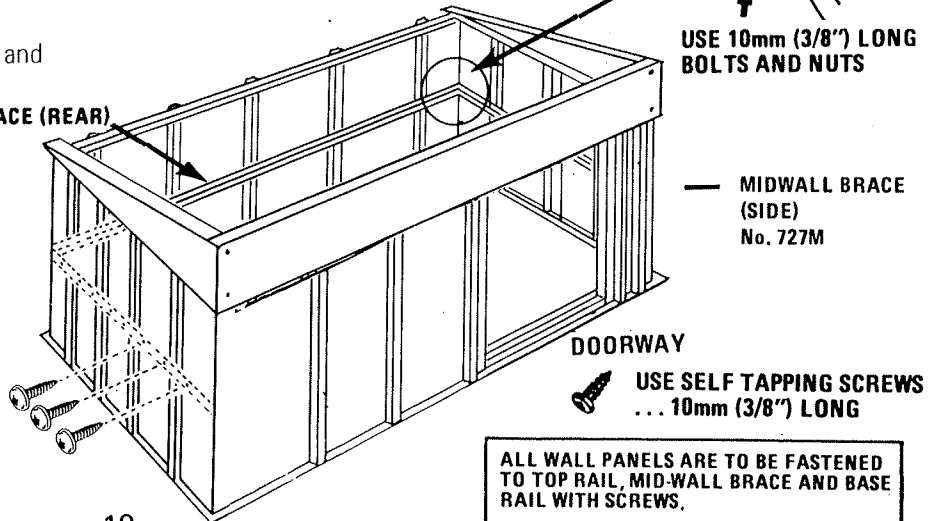
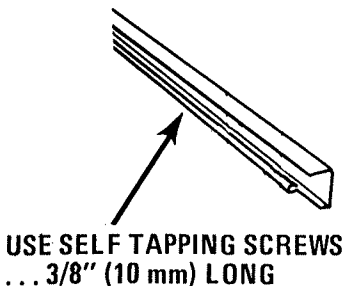
SIDE AND REAR MIDWALL BRACES

1. Install rear midwall brace No. 1040H. Fasten midwall brace to corner panels and wall panels from the outside.
2. Fasten side midwall brace No. 727M to corner panels and wall panels. See "B". Repeat for other side.

MIDWALL BRACE (REAR)
No. 1040H



MIDWALL BRACE (SIDE)
No. 727M



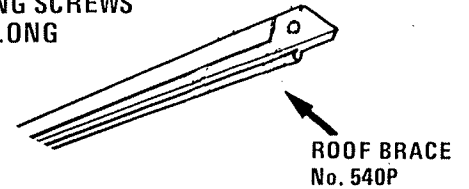
ALL WALL PANELS ARE TO BE FASTENED TO TOP RAIL, MIDWALL BRACE AND BASE RAIL WITH SCREWS.

12

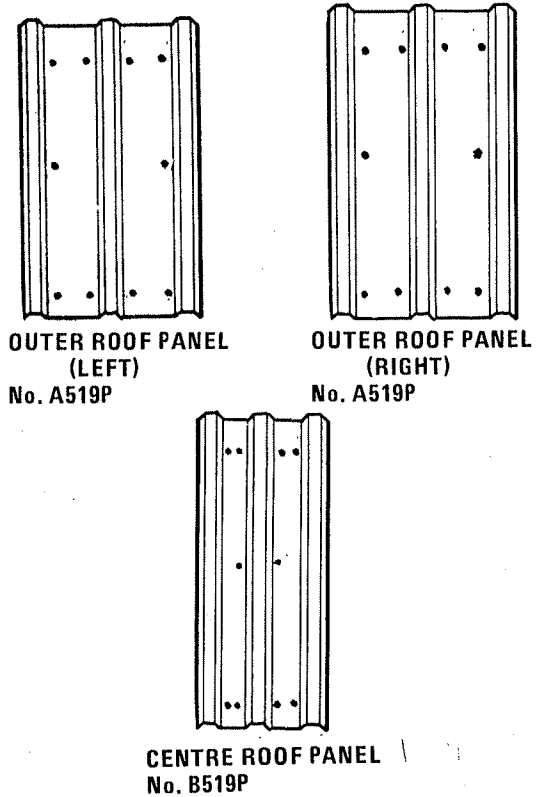
ROOF BRACE AND ROOF PANELS

1. **With extra help** to hold roof brace No. 540P in position on top of the side gable flange --- install **outer** left roof panel No. A519P --- see sketches for hole position. Fasten through roof panel and side gable into roof brace. Use washers with self tapping screws.
2. Repeat for **outer** right roof panel No. A519P and roof brace.
3. Complete fastening of **outer** roof panels to front fascia, side gables, roof brace and rear top rail as shown.
4. Install **centre** roof panel --- No. B519P.

USE SELF TAPPING SCREWS
... 10mm (3/8") LONG



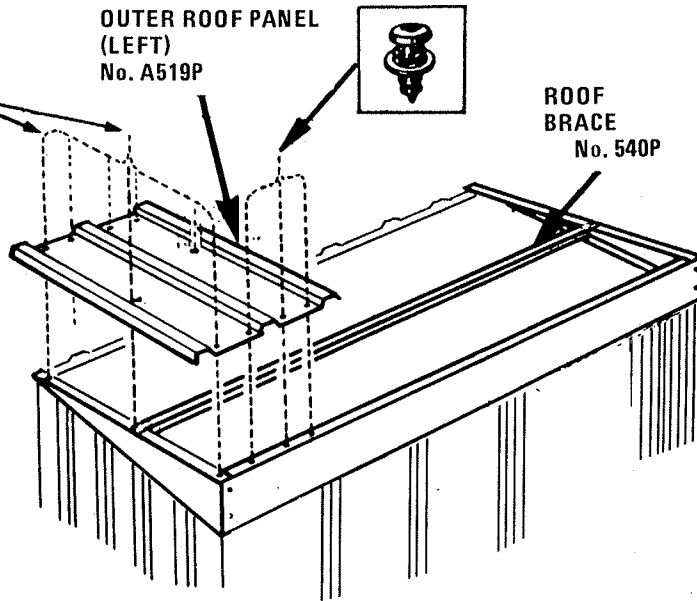
NOTE POSITION OF HOLES



ASSEMBLY SCREW
WITH WASHER



ASSEMBLY SCREW
WITH WASHER



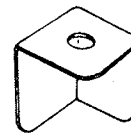
13

ROOF EDGE TRIM AND ROOF CORNER CAP

1. Install roof edge trim No. 541P in place over front and rear edge of roof. Fasten with bolts and nuts.
2. Install roof edge trim No. 441P on sides.
3. Fasten corner caps (4) through roof edge trim and roof panels with bolts and nuts.

ROOF CORNER CAP
No. 60H

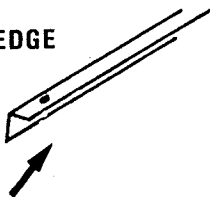
USE 10mm (3/8") LONG
BOLTS AND NUTS



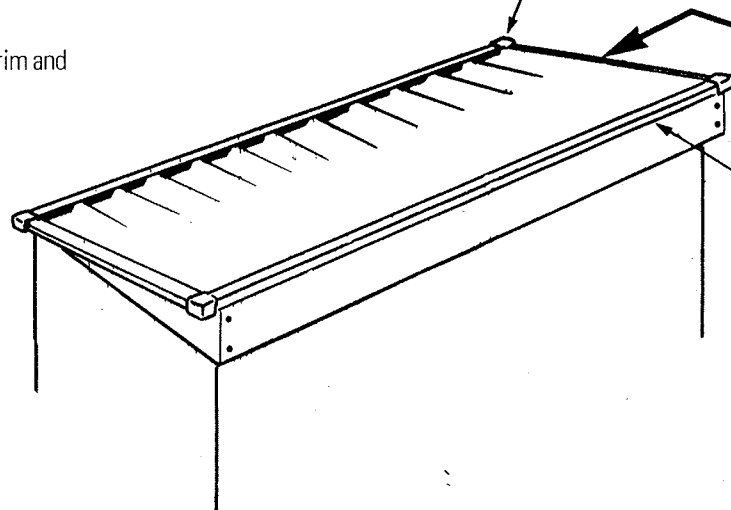
No. 441P
ROOF EDGE TRIM
(SIDES)

No. 541P
ROOF EDGE TRIM
(FRONT AND REAR)

ROOF EDGE
TRIM



USE 10mm (3/8") LONG
BOLTS AND NUTS



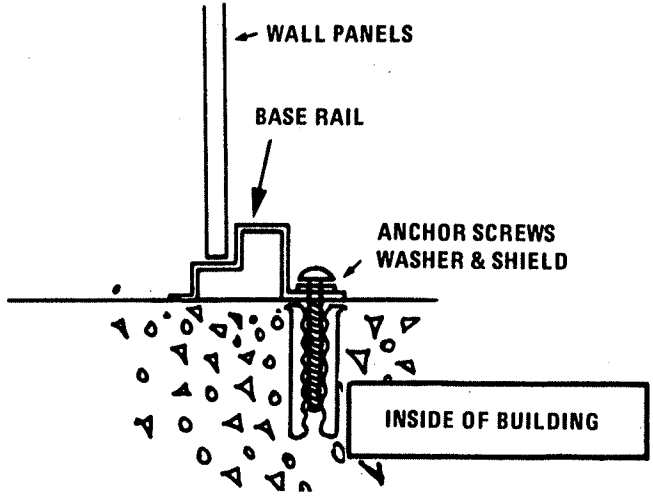
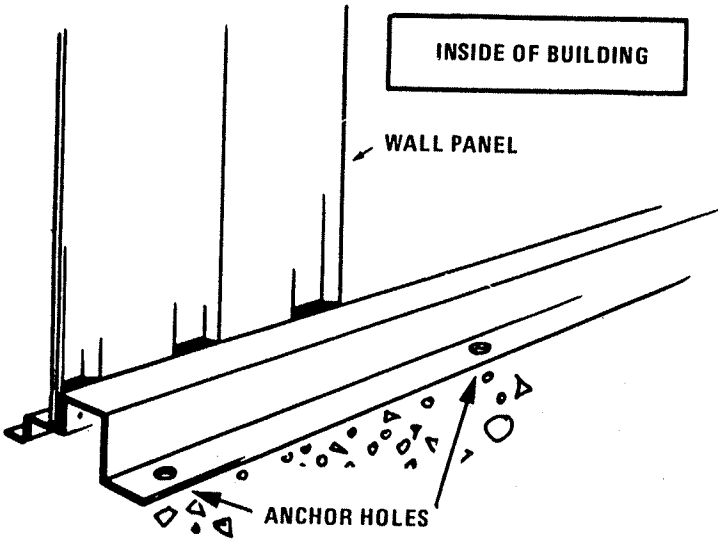
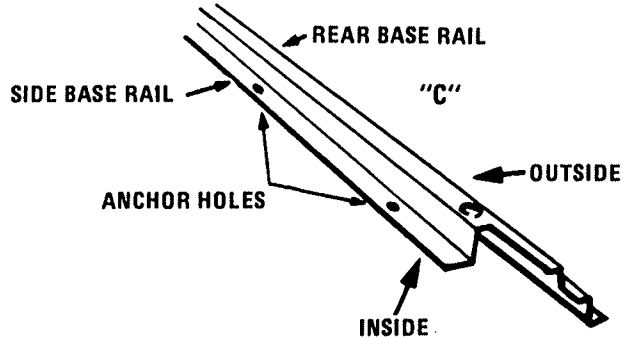
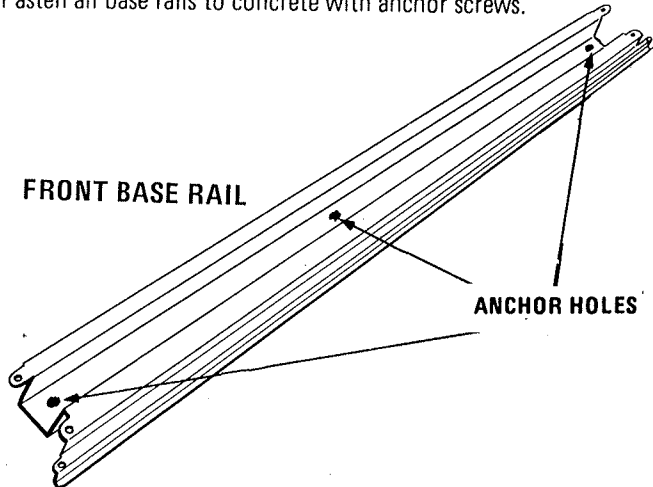
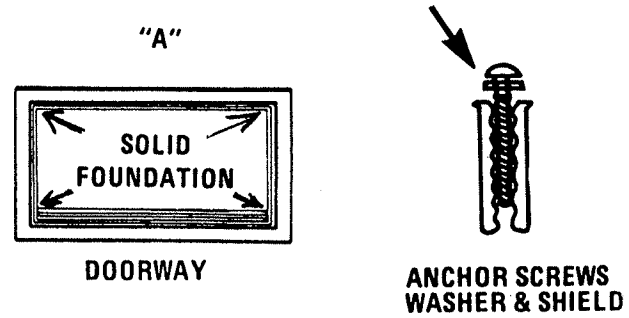
14

COMPLETE THE ANCHORING OF YOUR BUILDING NOW! YOUR BUILDING MUST BE ANCHORED!

1. Check building position on concrete base and adjust to original planned position.
2. Carefully position base frame in the centre of solid base foundation --- to allow at least 100mm (4") of solid base outside the frame.
3. Check base frame for squareness by measuring diagonal corners. Your measurements should be equal! See "A".
4. Inside your base frame . . . there are 6mm (1/4") holes in the entry ramp and on the inside flange of the front, side and rear base rails. **These are anchor holes** . . . for installation of anchor screws into the concrete or patio stones. See "B" and "C".
5. When your base frame is square . . . use a black felt pen to mark location of anchor hole centre on the concrete. **Mark for all anchor holes.**
6. With an electric drill and a Carbide Bit (Check size to suit anchor shield) . . . drill proper holes into concrete at each mark.
7. Insert anchor shields into each hole.
8. Fasten all base rails to concrete with anchor screws.

NOTE: Anchor screws, washers and shields are **NOT** supplied as part of the hardware package and may be purchased at your local store. You will require No. 10 concrete anchor screws 38mm (1 1/2") long with washers and expansion shields **PLUS** a Carbide Bit to suit.

QUANTITY REQUIRED
166P127 (P54) 12



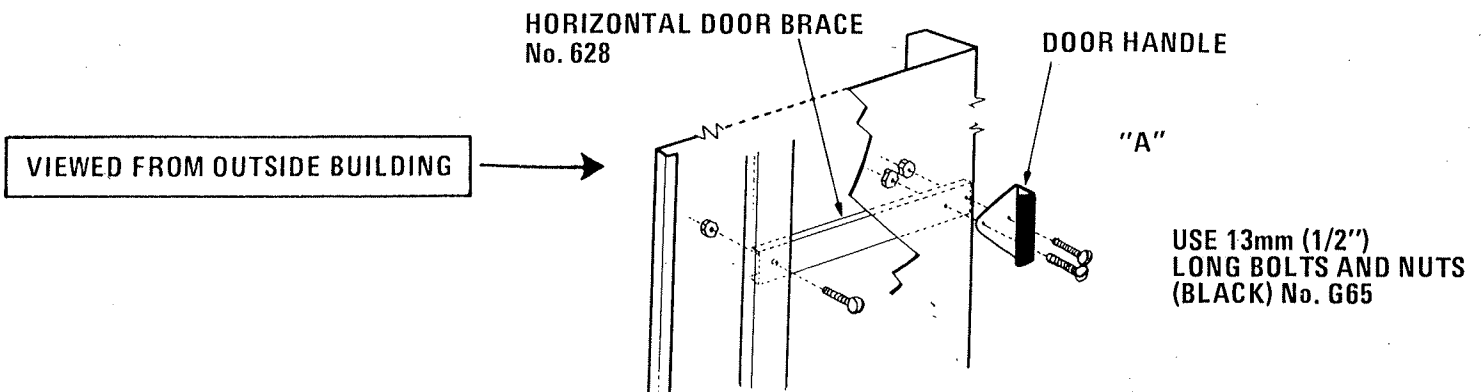
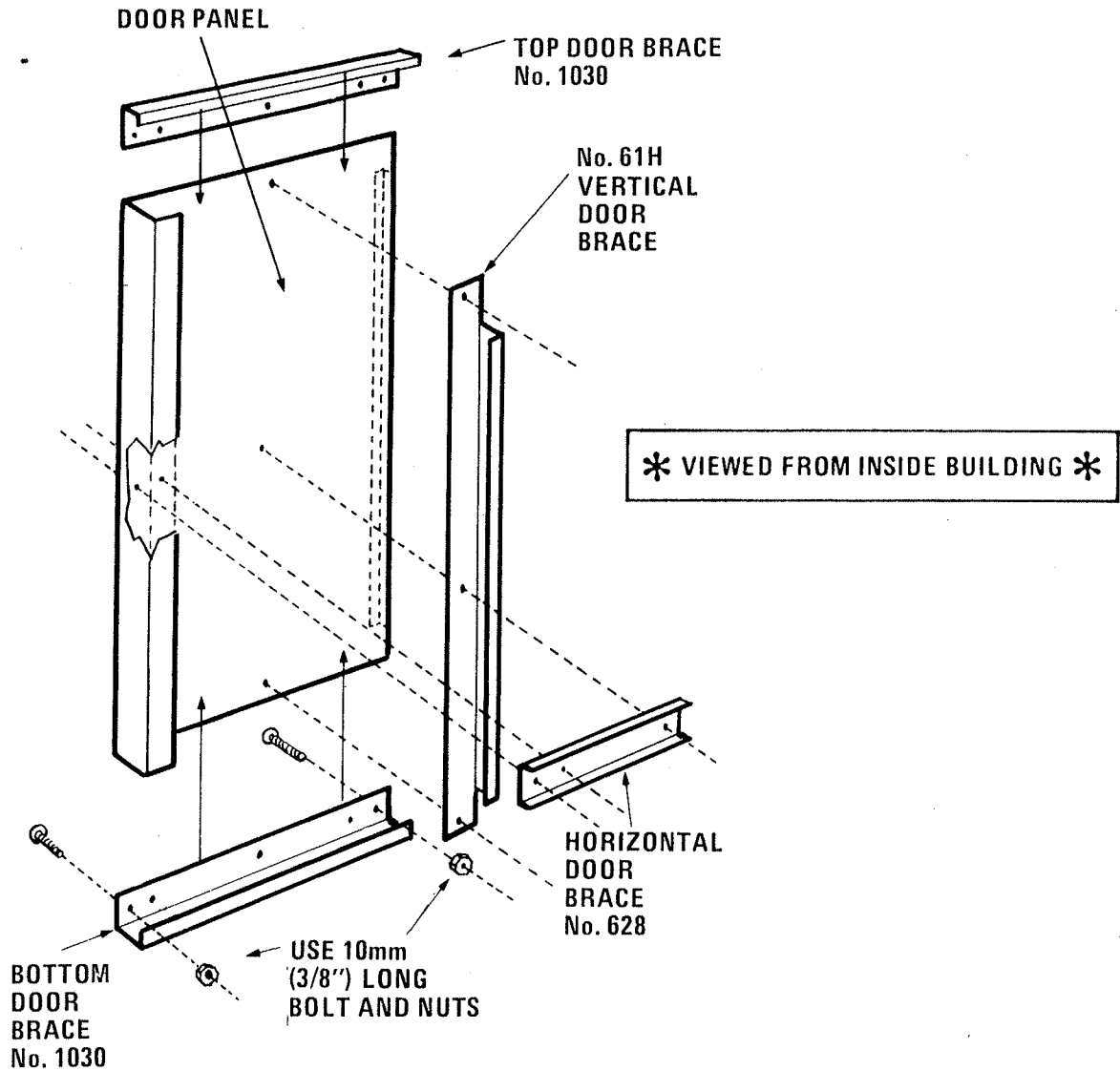
IMPORTANT

This Building is designed to withstand normal wind loads when installed according to instructions. Spacemaker Ltd. cannot be held responsible for any consequences due to buildings that are not installed per instructions or for damage due to any weather conditions or acts of God.

15

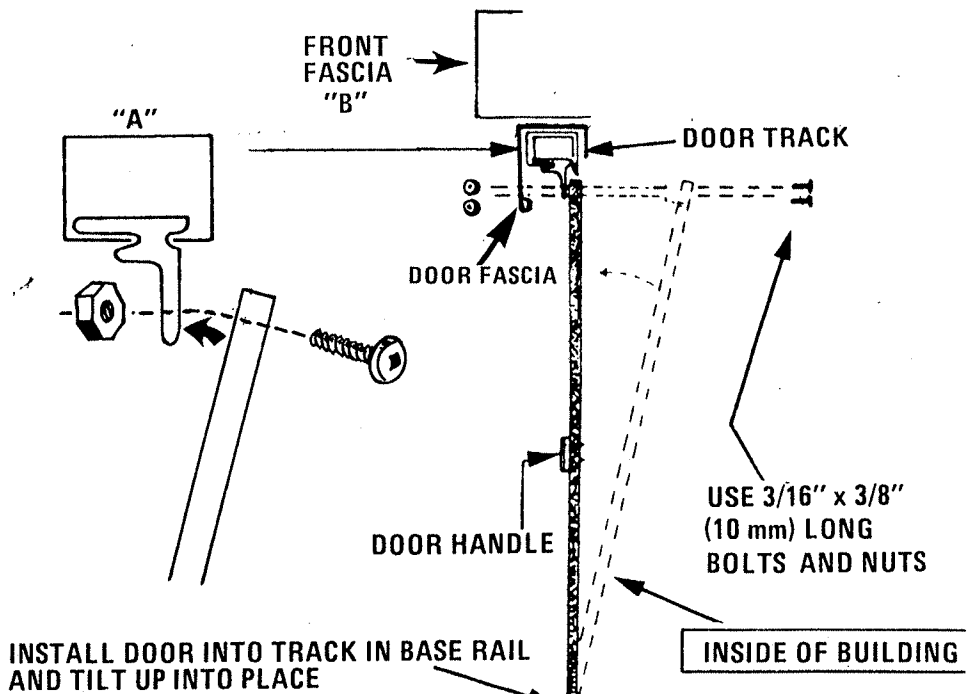
DOOR AND HARDWARE ASSEMBLY

1. Install door braces No. 1030 against top and bottom of door panel **exactly as illustrated below**. Line up holes in brace with holes in door panel. **Fasten at ends only.**
2. Position Vertical Door Brace (No. 61H) to line up with holes in door panel as shown. **Fasten at ends only.**
3. Install Horizontal Door Brace No. 628, Fasten to Vertical Door Brace and Door Panel and Install Door Handle. See "A".



16 DOOR INSTALLATION (FROM INSIDE)

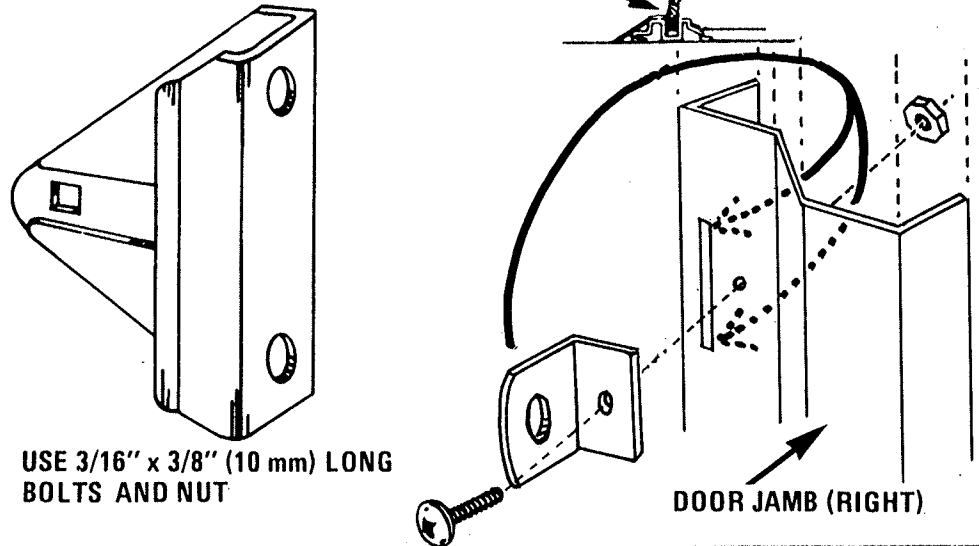
1. Inside and near the right corner of building, install bottom lip of door into track formed in base rail.
2. Position top of door so that holes in door line up with CENTRE holes in door glide. Fasten door glides to door with 3/8" (10 mm) long bolts and nuts from **THE INSIDE**. See "A".



INSTALL DOOR INTO TRACK IN BASE RAIL AND TILT UP INTO PLACE

17 DOOR LOCK ASSEMBLY

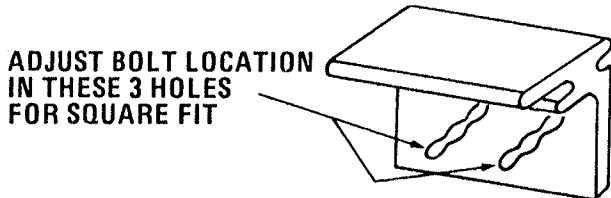
1. Install the lock assembly in the slot provided on the right hand door jamb. Fasten with a bolt and nut.



USE 3/16" x 3/8" (10 mm) LONG BOLTS AND NUT

18 DOOR ADJUSTMENT (FROM INSIDE)

1. Close doors. There are three holes in each of the door glides to raise or lower doors as required for a square fit.



IMPORTANT BE SURE THAT ALL BOLTS AND NUTS ARE INSTALLED AND TIGHTENED FOR MAXIMUM STRENGTH OF BUILDING.

CAUTION TO PREVENT DAMAGE TO THE ROOF OF YOUR BUILDING . . . **DO NOT STAND ON ROOF**. DURING THE WINTER **DO NOT** ALLOW MORE THAN 10" (25.4 cm) OF SNOW TO ACCUMULATE. UNDER SUCH CONDITIONS OCCUPANCY IS HAZARDOUS AND **MUST BE AVOIDED**. IF THE BUILDING IS NOT ACCESSIBLE DURING WINTER MONTHS, THE ROOF SHOULD BE BRACED FROM THE INSIDE.

CARE FREE MAINTENANCE — Your building has been designed to give you years of carefree service. All parts have been precision engineered for perfect fit. It is manufactured from heavily galvanized steel with exterior parts pre-enameled on both sides at the steel mill.

Periodically clean and wax the exterior. This will enhance the appearance and prolong the usefulness of your Building for many added years.