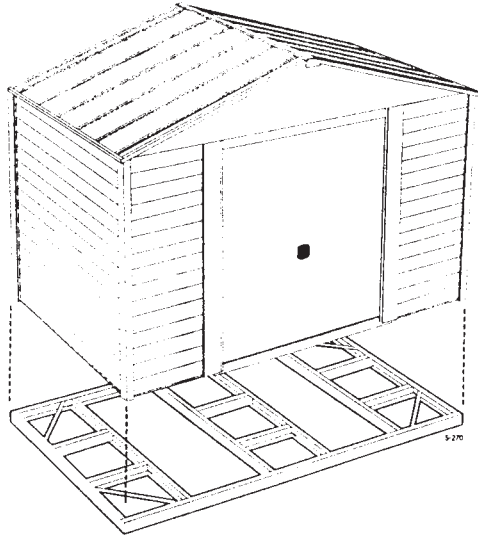


# Spacemaker



## 79993

FOUNDATION UNIT /  
ÉLÉMENT DE FONDATION /  
UNIDAD DE CIMENTACIÓN

*English Instructions* - Pages 2 - 7  
*Instructions en français* - Pages 8 - 13  
*Insrtrucciones en español* - Páginas 14 - 20

# Spacemaker

## FOUNDATION UNIT 79993

### ASSEMBLY INSTRUCTIONS

For buildings with base dimensions of 3.05 m x 1.52 m (10' x 5'). This Foundation Unit is designed to provide your garden building with a stable and durable foundation. It can accommodate your choice of concrete or plywood flooring.

### GETTING READY

- Before starting construction, check building code requirements with your local authority. Utilities such as gas, electricity and telephone may also require notification before digging commences.

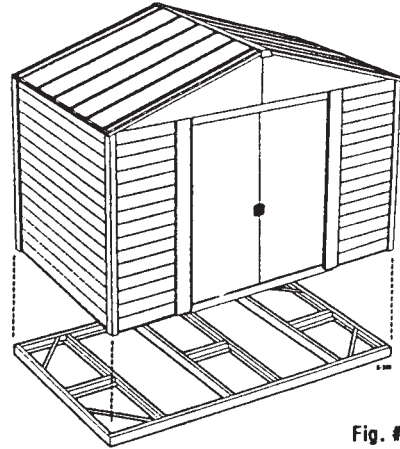


Fig. #1

- Read all instructions for the Foundation Unit, optional Anchor Kit and Garden Building for an understanding of overall assembly requirements. Familiarize yourself with each carton's contents and ensure that all parts are present. In the unlikely event of your Foundation Unit having missing or damaged parts, please return the enclosed inspection card stating which part(s) are required.

**Important...** Requests for replacement parts or questions regarding your Foundation Unit should be referred directly to the factory. **Do not contact your Dealer;** they are not equipped to service your requests. Contact the Customer Service Department, Spacemaker Ltd., 3069 Wolfedale Road, Mississauga, Ontario, Canada L5C 1V9, Telephone: 1-800-851-1085.

- Ensure the construction site is level.
- For your own safety:
  - wear suitable footwear, work gloves, long sleeves and safety glasses.
  - do not use electrical equipment in a wet environment.
  - do not stand on unsupported Foundation Unit framework.
  - beware of sharp edges. Use gloves and handle with care.

### CARTON CONTENTS

- 2 Frame pcs #FL05 (174 cm - 68 1/2")
- 8 Frame pcs #FL04 (146.4 cm - 57 5/8")
- 2 Frame pcs #FL02 (65.4 cm - 25 3/4")
- 1 Frame pcs #FL03 (48.9 cm - 19 1/4")
- 6 Base rail brackets #21F
- 4 Corner brackets #BR2 (64.8 cm - 25 1/2")
- 50 10 mm (3/8") long bolts and nuts
- 14 10 mm (3/8") self-tapping screws

### TOOLS REQUIRED

- a. Spade or shovel
- b. Large spirit level
- c. 3-4 m (12-16 ft.) tape measure
- d. Phillips #2 screwdriver (Magnetized head recommended)
- e. Small adjustable wrench
- f. Electric drill (and extension cord)
- g. Socket wrench with 5/16" Hex. socket
- h. 7/64" drill bit (for steel)

### OTHER MATERIALS REQUIRED FOR CONCRETE FLOORING

1. Coarse sand
2. Crushed stone
3. Concrete mix
4. Plastic vapour barrier
5. Steel reinforcing mesh
6. A number of wood pointed stakes 50 x 5 x 5 cm (20" x 2" x 2")

### OTHER MATERIALS REQUIRED FOR PLYWOOD FLOORING

1. Exterior quality plywood sheets with minimum thickness of 16 mm (5/8").
2. Masonry blocks for levelling and supporting foundation frame on uneven grade.
3. Countersunk, self-tapping screws for fastening plywood to steel foundation frame.

### ASSEMBLING THE FOUNDATION UNIT

1. Check your Garden Building instruction booklet for the base rail dimensions of your particular building.
2. Mark out selected site for foundation and remove all surface vegetation. Compact the ground underneath when plywood flooring is planned. Excavation area of the base for concrete flooring is slightly smaller than the Foundation Unit's outer frame. Ensure site is level. Choose an assembly area for the foundation frame that is close to the construction site.
3. Using Figures #13 and #15 as a guide, assemble outer frame first. Join a section #FL05 to a #FL04 for the front and rear assembly, attach sections together using bolts and nuts through the upper fixing holes of the sections. The side frame sections #FL04 are in one full length.
4. Using the illustration of your Foundation as a guide, position the foundation sections into position, so a rectangular frame 297.8 x 146.37 cm (117 1/4" x 57 5/8") is formed. Using bolts and nuts, attach all frame sections together through the fixing holes found on the upper and lower surfaces of each foundation section. (See Figure #2.)

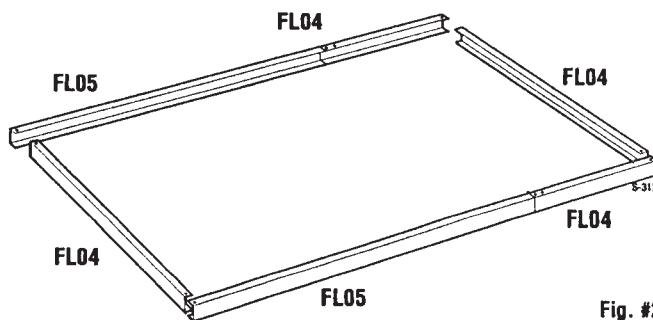
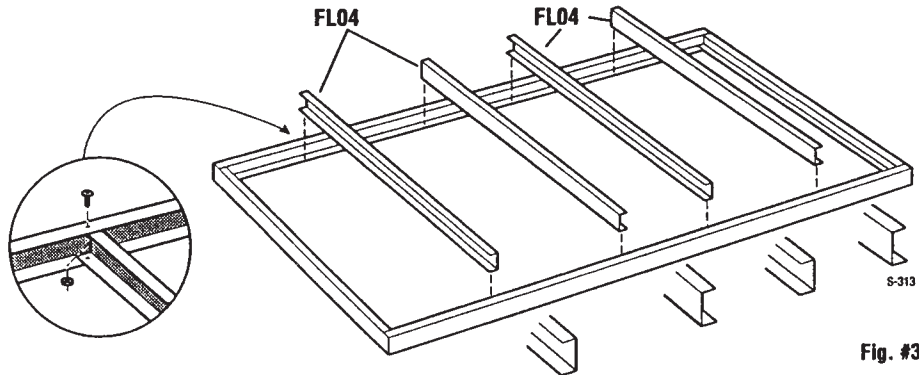


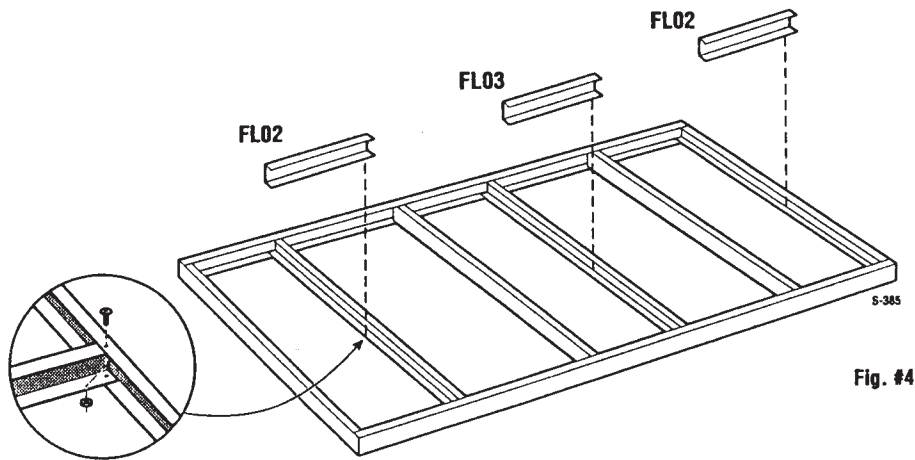
Fig. #2

- Position the four (4) #FL04 sections within your main foundation frame. Using bolts and nuts, on the upper surface of frame sections, attach the four (4) #FL04 frame sections into position.

**Installation note...** The open side of the channels must face in the direction indicated in Figure #3. Position the inner frame sub-assemblies at points on the outer frame indicated in Figure #3. For exact dimensions, refer to Figure #13.



- Using bolts and nuts, on the upper surface, attach the shorter cross-frame parts #FL02 and #FL03 at positions shown in Figure #4. For exact dimensions, refer to Figure #13.



- Ensure foundation frame is square and that all fasteners are tight and secure.
- Attach a #BR2 corner angle bracket to each corner of the outer frame using two (2) self-tapping screws per bracket. For exact dimensions refer to Figure #13.
- With assistance, carefully turn the foundation unit over. Using bolts and nuts, complete attaching the inner #FL04 sub-frame assemblies, #FL02 and #FL03 cross-frame parts to the outer foundation frame.

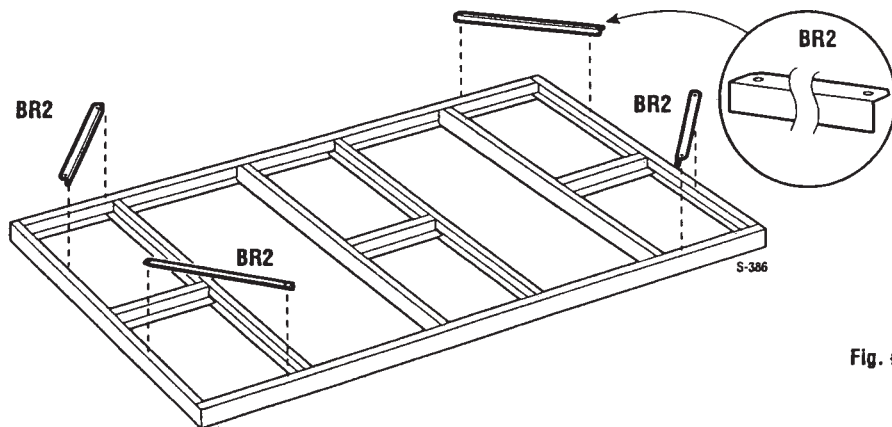


Fig. #5

10. Once completed, carefully turn foundation frame over to its original position.

For concrete flooring, see instructions 11 to 19.

For plywood flooring, see instructions 20 to 24.

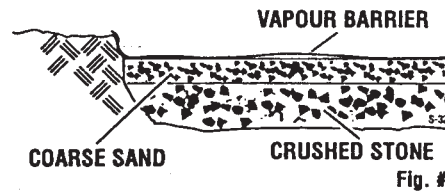
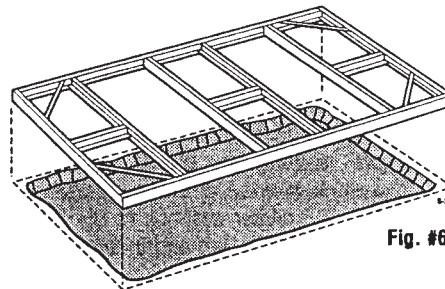
**FOR CONCRETE FLOORING**

11. Excavate site to a depth of 20 cm (8").  
**NOTE...**Make excavation area slightly smaller than the Foundation Unit's outer frame. (See Figure #6.)

12. Cover bottom of excavation with a layer of crushed stone 10 cm (4") deep and compact material down. Cover the crushed stone with a 5 cm (2") layer of coarse sand and compact down. (See Figure #7.)

13. Place a sheet of plastic vapour barrier over the compacted sand.

14. With assistance, place assembled Foundation Unit over the excavation area.  
**NOTE...**Outer frame of the Foundation Unit rests on grade just beyond the sides of the excavation. (See Figure #8.)



15. Ensure the foundation frame is square, level and positioned in its final location. Drive wooden stakes into the ground around the perimeter of the frame. (These will be removed after the concrete has hardened.) Now remove the Foundation Unit from the area leaving the wooden stakes in place.

16. Pour the first layer of concrete 5 cm (2") deep. Place the steel reinforcing mesh over the poured concrete. Replace the Foundation Unit back into position inside the wooden stakes. Make a final check for level and positioning.

17. Continue to spread concrete evenly over the Foundation Unit, prodding thoroughly to eliminate air pockets within the mix. Skim the surface with a plank to attain an even surface. A smooth surface can be obtained with light troweling. **NOTE**...Allow time for concrete to harden thoroughly before proceeding to the next stage.

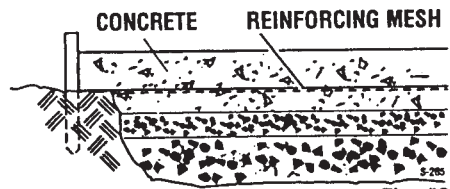


Fig. #8

18. Assemble Garden Building base rails as described in your Garden Building instruction booklet. Position base rail assembly onto (hardened) concrete base.
19. Ensure your building base rail assembly is square and placed in its final fixing position. All your buildings Base Rails, Front Base Rails and Entry Ramp are required to be attach to the foundation using anchor screws, each screw being placed through the existing 6.3 mm (1/4") fixing holes provided in these components. Use your chosen anchors or the optional **Spacemaker Foundation Anchor Kit**. The #21F Brackets provided in your kit are not required to be used with a solid concrete base. However, they may be used for additional anchoring if desired.

#### FOR PLYWOOD FLOORING

20. Determine the quantity of plywood sheets to be purchased for your building from the cutting diagram in Figure #14.

21. With assistance, place the assembled Foundation Unit on the prepared site. Ensure the Foundation Unit is square, level and located in its final position. Masonry blocks should be placed under the framework in areas of uneven grade with particular attention to center connection points. **NOTE**...The center sections of the Foundation Unit will not support extra weight without blocking. Do not stand on framework during construction. (See Figure #9.)

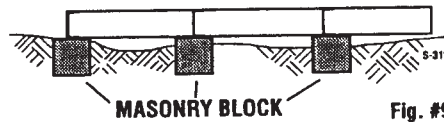


Fig. #9

22. Assemble Garden Building base rails as described in your Garden Building instruction booklet. Position the base rail on top of the Foundation Unit frame and ensure that it is square and level. Position a #21F Base Rail Bracket at each of the rear and side junctions of the inner frame and outer frame, position the flange of the #21F bracket over the base rail of your building. (See Figure #10) Using a single bolt and nut for each #21F bracket, attach the brackets to the inner foundation frame sections. **INSTALLATION NOTE**...Do not use the #21F Brackets along the front Base Rails as they may interfere with the sliding doors of your building. Secure Front Base Rails and Entry Ramp to your foundation frame using bolts and nuts through the fixing holes provided in foundation frame, Front Base Rails and Entry Ramp. Drill a 7/64" pilot hole as required and use a self tapping screw to fasten the #21F Base Rail Bracket to the Base Rail.

**Note regarding your Building**...If your model of building does not have the necessary holes in the Front Base Rails and Entry Ramp to line up with the foundation frame, it is necessary to drill a 1/4" (6.3 mm) hole at each end of the Entry Ramp and a 1/4" (6.3 mm) in each of the Front Base Rails so that the Front Base Rails and Entry Ramp can be attached to the foundation frame.

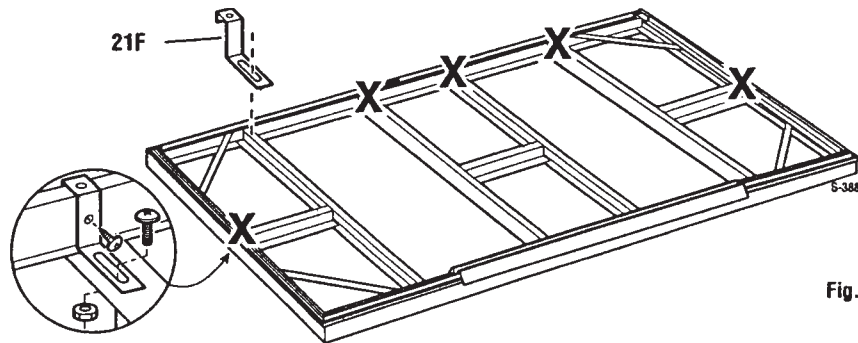


Fig. #10

23. Cut plywood to fit inside the building base rails. (See Figure #11.)

**NOTE**...all joining edges of plywood must, where possible, meet at the centre of a frame section. (See illustration #12.) Joining plywood over a lengthwise void could result in a weak and unsafe floor. Shape plywood to fit around inner edge of Entry Ramp. Optionally, carefully bend the inside metal edge of the Entry Ramp upwards to suit the level of the plywood flooring, a groove as been provided in the Entry Ramp to assist you in this bending process.

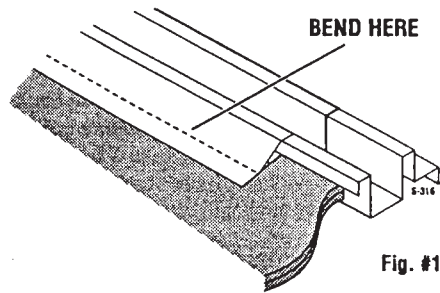


Fig. #11

24. Fasten plywood to the Foundation Unit framework using purchased drywall screws. For safety, ensure the screws are driven flush to, or below, the plywood flooring surface.

**Important note**...We recommend any building fitted with a wooden floor is also secured to the ground with "Ground Anchors", sometimes referred to as "Hurricane Anchors". These Ground Anchors may be purchased from your local Hardware Store.

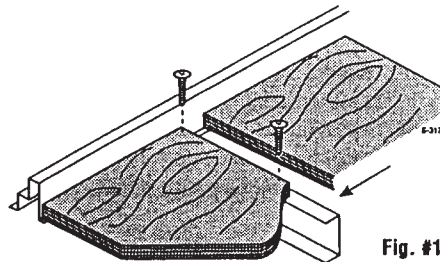


Fig. #12

*Continued on page 20.*

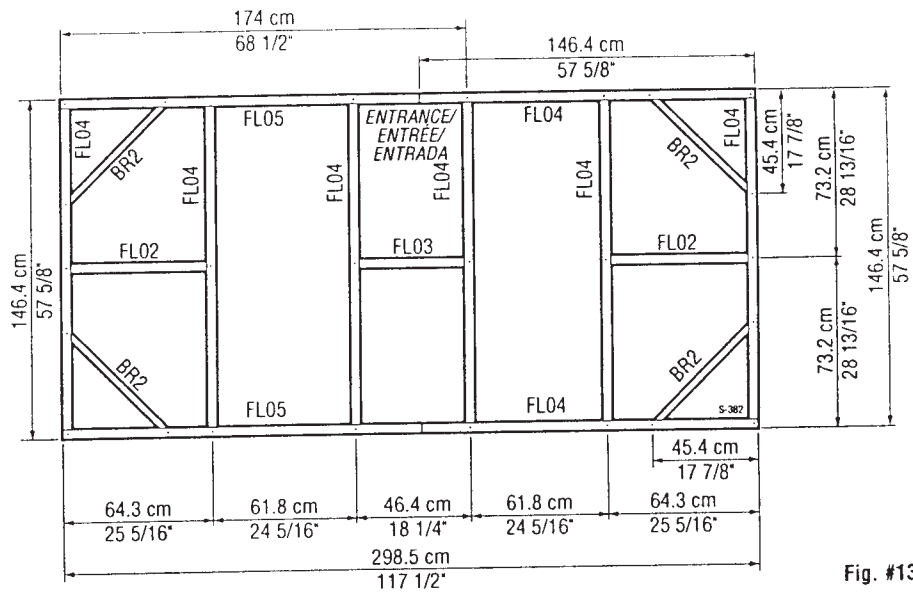


Fig. #13

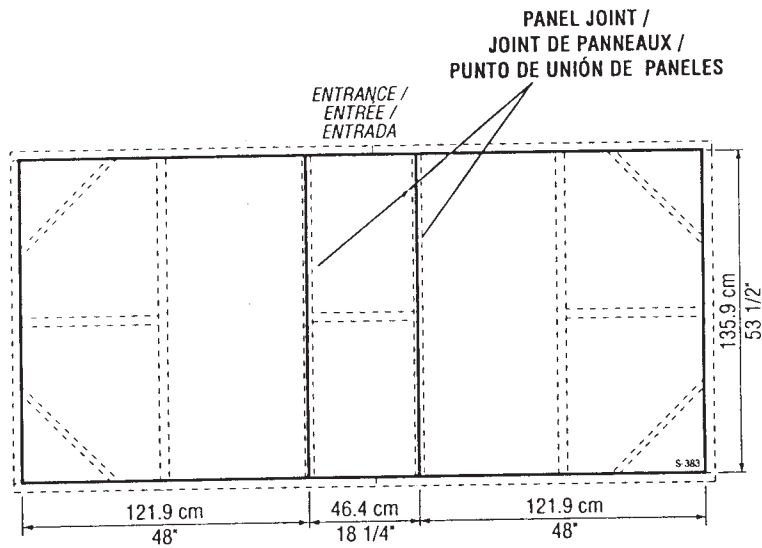


Fig. #14

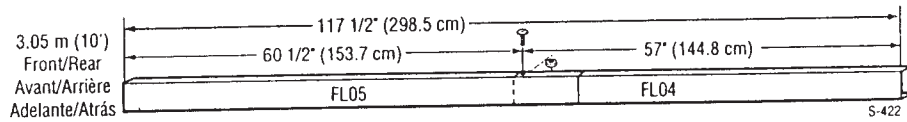


Fig. #15