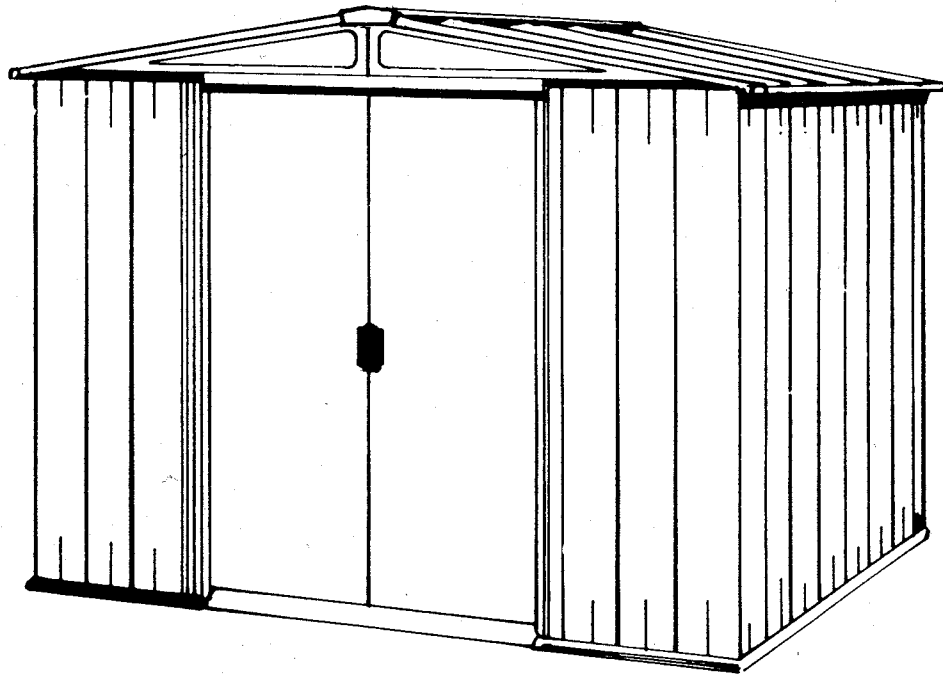


# OWNER'S MANUAL

## FOR MODELS

183G154 (GH65) - 183G185 (GH66) - 183G216 (GH67) - 183G278 (GH69)



***EASY TO INSTALL***

**Garden and Storage Buildings  
Manufactured by  
Spacemaker Limited**

## CONTENTS

- Pre-construction instructions
- Assembling the building
- Anchoring the frame
- Parts List and ordering information.

---

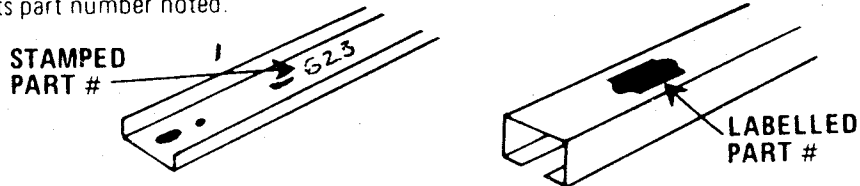
## PROCEED WITH CONFIDENCE

It might look complicated when you first unpack your building - - but it really isn't. Simply follow the illustrated instructions and your building will go up quickly and accurately.

---

## ASSEMBLY INSTRUCTIONS –

- **Before you start** - - read through instructions carefully!
- **Get a friendly neighbour to help you** - - you'll find a helping hand will speed the job and make assembly easier.
- **Selecting your site** - - choose an area that's firm and level yet allows drainage away from site. **WARNING!** - - - **DO NOT INSTALL YOUR BUILDING IN AREAS SUBJECTED TO HIGH WINDS OR ERECT ON A WINDY DAY. ANY BUILDING LEFT PARTLY CONSTRUCTED MAY BE SERIOUSLY DAMAGED IF LEFT IN THIS STATE.**
- **Sort and separate all parts and hardware** - - checking with your instructions and the illustrated parts check lists Pages 4 & 5 - - to be sure you have all parts and know where they belong in the building. Each part is numbered and illustrated, the quantity required and its part number noted.



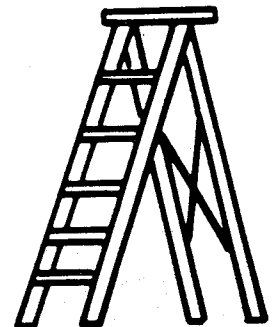
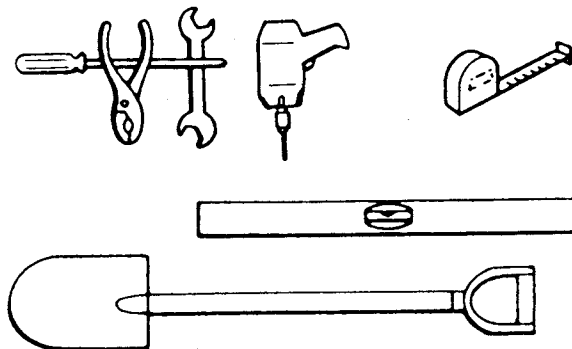
- **Follow step by step instructions carefully** - - complete each step before going on to the next one.
- **Retain this manual after assembly is completed** - - it contains a complete parts list.

**\*FOR CANADA ONLY – REPLACEMENT PARTS OR ANY QUESTION RE YOUR BUILDING SHOULD BE REFERRED DIRECTLY TO THE FACTORY. DO NOT CONTACT YOUR DEALER. HE IS NOT EQUIPPED TO SERVICE YOUR REQUESTS AS PROMPTLY AS THE CUSTOMER SERVICE DEPARTMENT AT THE FACTORY.**

---

## TOOLS REQUIRED –

- Phillips № 2 screwdrivers (magnetized head recommended)
- Pair of Pliers.
- Wrenches for 10mm (3/8") nuts.
- Step Ladder 1.52m (5 ft.)
- Steel Tape Measure 4.88m (16 ft.)
- Carpenter's Level
- Spade or Shovel
- Electric Drill



\* Used for leveling and anchoring building.

---

## LAWN BUILDING CARE

- **Care free maintenance** – Your building has been designed to give you years of care free service. All parts have been precision engineered for perfect fit. It is manufactured from heavily galvanized steel with exterior parts pre-enameled on both sides at the steel mill. Periodically clean and wax the exterior. This will enhance the appearance and prolong the usefulness of your building for many years.
- **IMPORTANT** – This Building is designed to withstand normal wind loads when installed according to instructions. Spacemaker Ltd. cannot be held responsible for any consequences due to buildings that are not installed per instructions or for damage due to weather conditions or acts of God.

# Special Supplementary Instructions

for models GH65...GH66...GH67...GH69

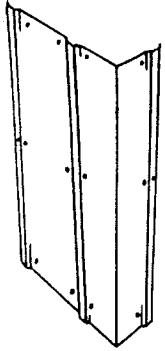
Updated parts list and pictorial representations.

PART NAME	PART NUMBER	QUANTITY			
		GH65	GH66	GH67	GH69
Rear Base Rail	64H	2	2	2	2
Side Base Rail	53H	2	--	--	4
Side Base Rail	63H	--	2	--	--
Side Base Rail	73H	--	--	4	--
Front Base Rail	62H	2	2	2	2
Entry Ramp	610H	1	1	1	1
Corner Panel	▶◀	2	2	2	2
Half Corner Panel (Front Only)	▶◀	2	2	2	2
Rear Top Rail	640H	2	2	2	2
Side Top Rail	527M	2	--	--	4
Side Top Rail	627M	--	2	--	--
Side Top Rail	727M	--	--	4	--
Door Track	66H	2	2	2	2
Door Fascia	▼635H	1	1	1	1
Door Jamb	▼69▲	2	2	2	2
Front Midwall Brace	628H	2	2	2	2
Wall Panel	▶◀	5	5	7	9
Half Wall Panel	▶◀	--	2	--	--
Rear Midwall Brace	640H	2	2	2	2
Side Midwall Brace	527M	2	--	--	4
Side Midwall Brace	627M	--	2	--	--
Side Midwall Brace	727M	--	--	4	--
Left Gable	▶◀	2	2	2	2
Right Gable	▶◀	2	2	2	2
Main Ridge Beam	516L	2	--	--	--
Main Ridge Beam	616L	--	2	--	--
Main Ridge Beam	H716H	--	--	4	--
Main Ridge Beam	H516H	--	--	--	4
Left Roof End Panel	▼618H	2	2	2	2
Right Roof End Panel	▼644H	2	2	2	2
Roof Panel	▶◀	4	4	6	8
Half Roof Panel	▶◀	--	2	--	--
Ridge Cover	▼520H	1	--	--	1
Ridge Cover	▼620H	--	1	--	--
Ridge Cover	▼720H	--	--	2	--
Ridge Cover	▼920H	--	--	--	1
Roof Edge Trim	▼541H	2	--	--	4
Roof Edge Trim	▼641H	--	2	--	--
Roof Edge Trim	▼741H	--	--	4	--
Door Panel	▶◀	2	2	2	2
Top & Bottom Door Brace	▼632	4	4	4	4
Weatherseal Tape	▶◀	1	1	1	1
Ridge Cover End Cap	▼49H	2	2	2	2
Door Handle	▶◀	2	2	2	2
Plastic Washer Tree	▶◀	2	2	2	2
Warranty		1	1	1	1
Owner's Manual		1	1	1	1
Hardware Pack contains:					
Bolts, nuts and screws					
Roof Corner Cap	▶◀	4	4	4	4
Door Spacer (2 sets of 2)	▶◀	4	4	4	4
Door Glide	A67	4	4	4	4

Note: ▶◀ indicates that part number is NOT stamped in the part.  
 ▲ indicates letter or letters that designates different wall heights.  
 ▼ may contain letter or letters that designates color / material.

THIS  
PAGE  
WAS  
LEFT  
BLANK  
INTENTIONALLY

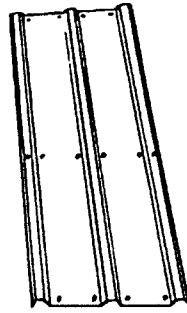
**PARTS NOT IDENTIFIED with PART NUMBER**



**CORNER PANEL**  
See STEP 5



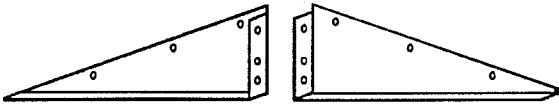
**HALF CORNER PANEL**  
(Front Only)  
See STEP 5



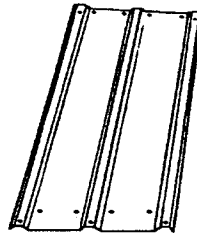
**WALL PANEL**  
See STEP 10



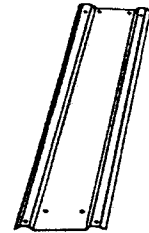
**HALF WALL PANEL**  
See STEP 10



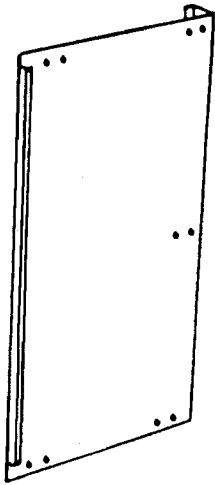
**LEFT GABLE**      **RIGHT GABLE**  
See STEP 12 or 13



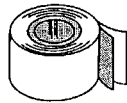
**ROOF PANEL**  
See STEP 16 or 17



**HALF ROOF PANEL**  
See STEP 16 or 17



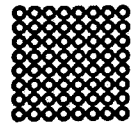
**DOOR PANEL**  
See STEP 21 or 22



**WEATHERSEAL TAPE**



**DOOR HANDLE**



**PLASTIC WASHER TREE**

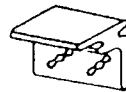
**ITEMS in the HARDWARE BAG**



**ROOF CORNER CAP**



**DOOR SPACER**

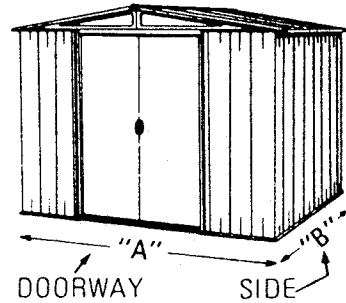


**DOOR GLIDE**

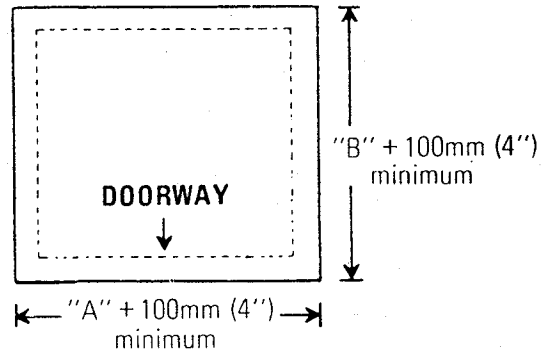
# IMPORTANT

## OUTSIDE MEASUREMENTS OF BUILDING AT BASE (approx.)

MODEL	"A"		"B"	
	metres	inches	metres	inches
183G154	172.7cm	68"	146.1cm	57 1/2"
183G185	172.7cm	68"	177.2cm	69 3/4"
183G216	172.7cm	68"	208.3cm	82"
183G278	172.7cm	68"	270.5cm	106 1/2"



### SOLID FOUNDATION



**NOTE –**  
YOUR SOLID FOUNDATION BASE MUST BE AT LEAST 100 mm (4") LARGER THAN THE OUTSIDE MEASUREMENTS OF BUILDING.

# 1

## PREPARATION OF BUILDING SITE

This building must be constructed on a **SOLID BASE FOUNDATION**. We recommend a poured concrete pad or large size concrete patio stone squares for a suitable floor and base. Whichever you select - - **make sure** your foundation area is firm and level and will allow drainage away from the site. Make your solid base foundation at least 100mm (4") larger than your building and check the type of anchoring procedure and hardware required . . . **See Page 17 NOW!**

**NOTE:** For a concrete pad base, prepare a level bed for a firm footing layer of crushed stone. The concrete pad should then be poured to a thickness of 100mm (4") to 125mm (5"). When completed allow to dry thoroughly for at least 48 hours.

## YOUR BUILDING MUST BE ANCHORED

Your Building must be firmly anchored to your concrete pad or large concrete patio stone squares ... To help protect against damage in high winds.

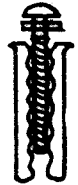
FURTHER ANCHORING INSTRUCTIONS FOLLOW AFTER ALL WALL AND ROOF PANELS HAVE BEEN INSTALLED.

**NOTE:** Anchor screws, washers and shields are **NOT** supplied as part of the hardware package and may be purchased at your local store. You will require No. 10 concrete screws with 38mm (1 1/2") long with washers and expansion shields **PLUS** a Carbide Bit to suit.

### QUANTITY REQUIRED

183G154-14	183G216-18
183G185-16	183G278-20

### ANCHOR SCREWS WASHER & SHIELD



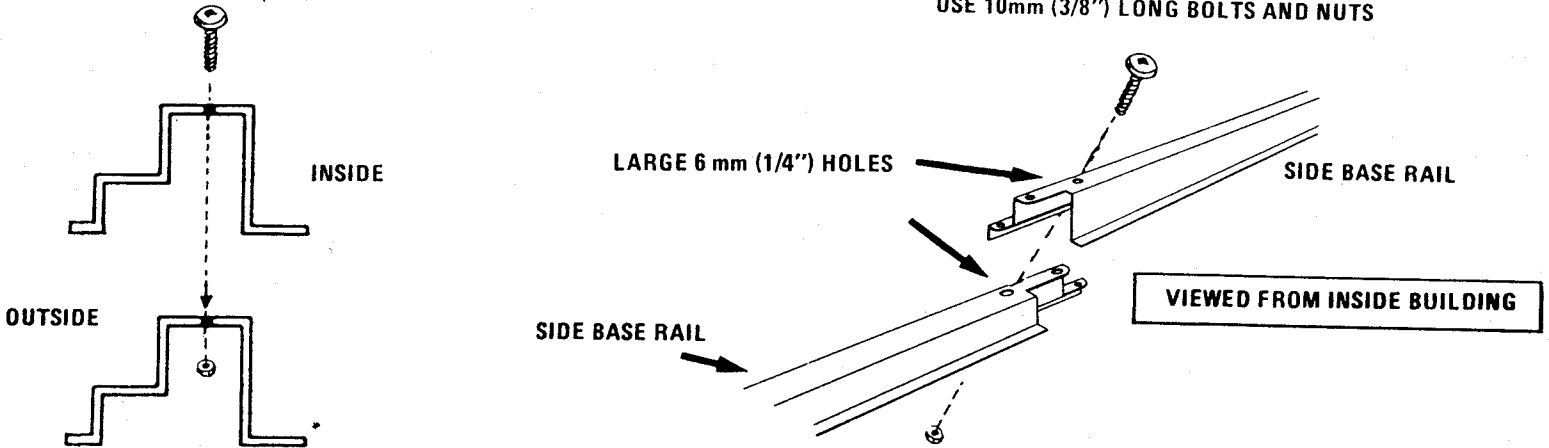
HARDWARE PACKAGE →	PKG. No. H65	PKG. No. H69
FOR MODEL No. →	183G154 183G185	183G216 183G278
SELF TAPPING SCREWS 10 mm (3/8") LONG	220	310
10 mm (3/8") LONG BOLTS AND NUTS	80	100
6 mm (1/4") LONG BOLTS AND NUTS	8	8
ROOF CORNERS No. 60H	4	4
DOOR GLIDES No. A67	4	4
BOTTOM DOOR SPACER No. 48	2	2
13 mm (1/2") LONG BLACK BOLTS AND NUTS – No. G65	4	4

# 2

## SIDE AND REAR BASE RAILS

SEE PAGES 3, 4, and 5 FOR PROFILE, CORRECT PART No. AND QUANTITY REQUIRED FOR YOUR BUILDING

1. Assemble lengths of side base rails (2 pcs.) together with a lap joint. Align large holes. Repeat for other side.  
**NOTE – for Models 183G154 and 183G185 these parts are in one full length piece.**
2. Repeat above procedure to assemble lengths of rear base rails No. 64H (2 pcs.).

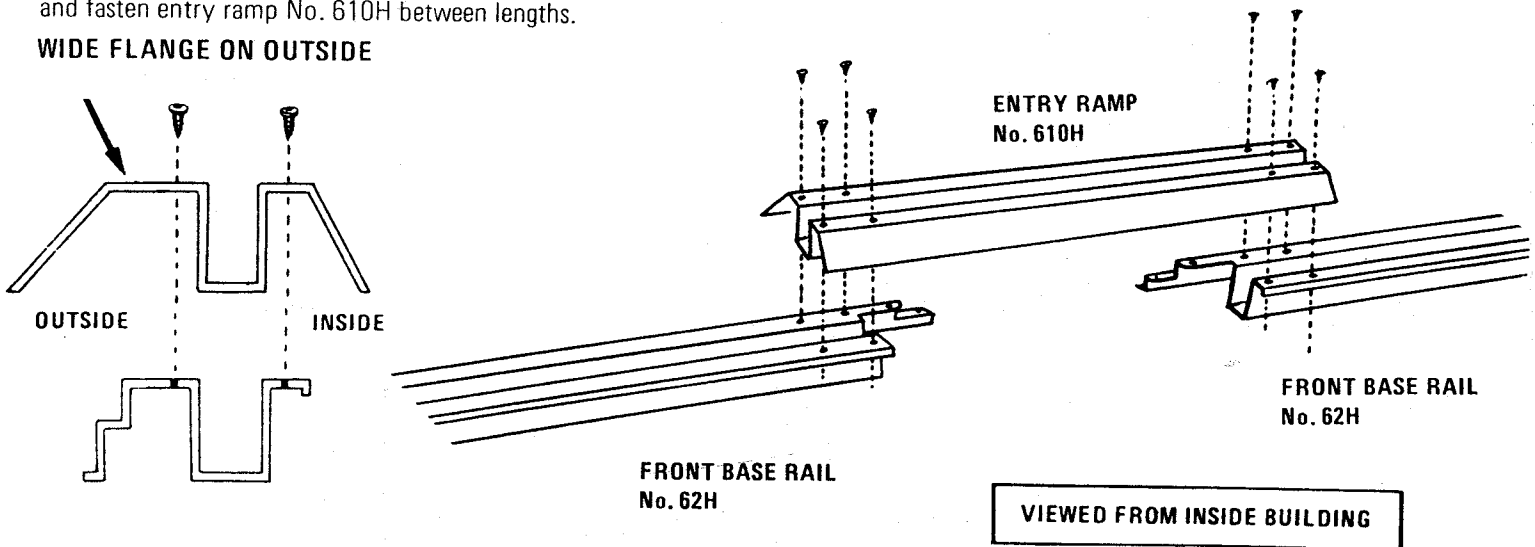


# 3

## FRONT BASE RAILS AND ENTRY RAMP

1. Space out lengths of front base rails No. 62H (2 pcs.) and fasten entry ramp No. 610H between lengths.

**WIDE FLANGE ON OUTSIDE**



USE SELF TAPPING SCREWS ... 10mm (3/8") LONG

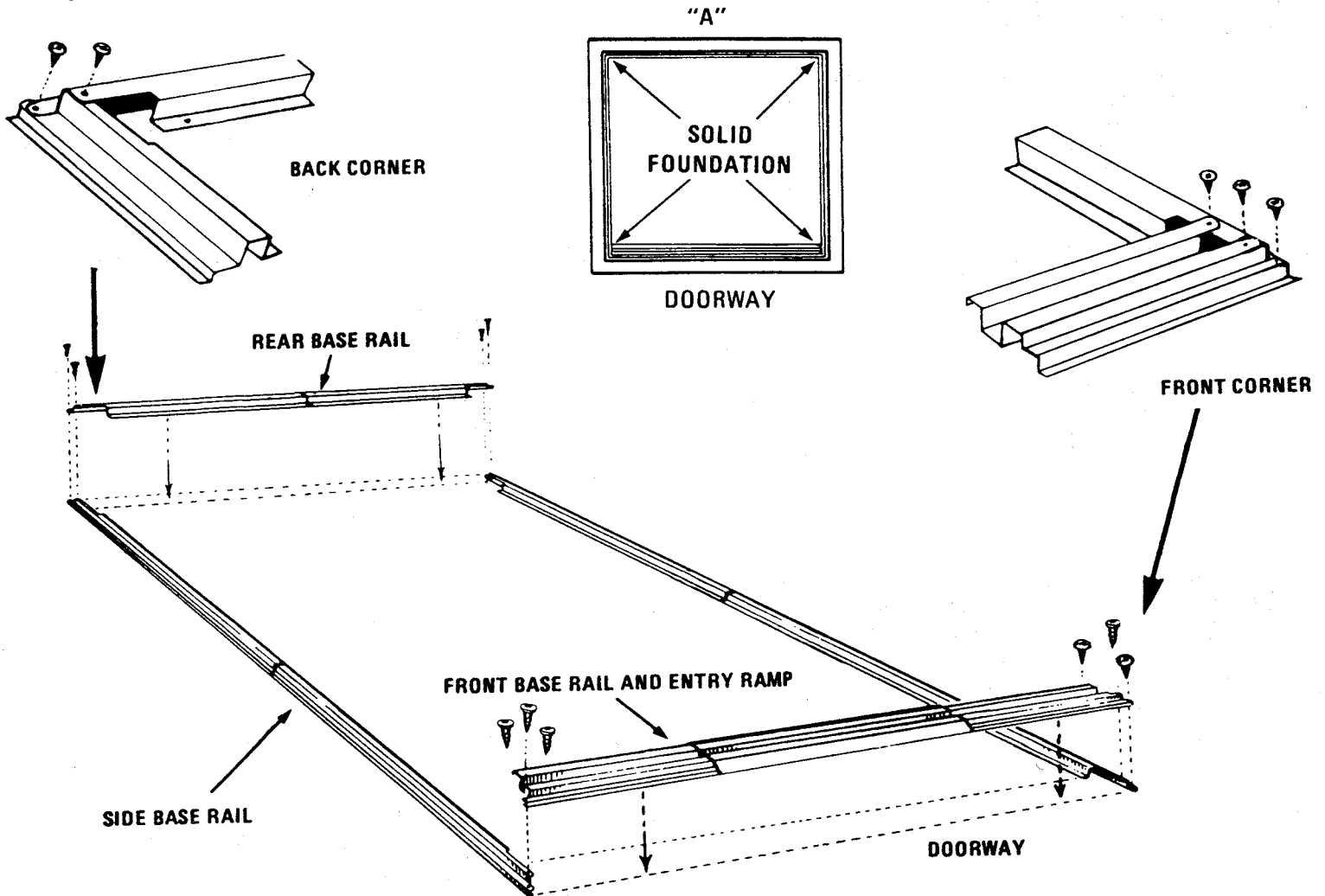
# 4

## BASE FRAME ASSEMBLY

1. Assemble all 4 base rails into a base frame in proper position on your foundation. Use 10 mm (3/8") self tapping screws on front and on back corners.
2. Check base frame for squareness by measuring diagonal corners. Your measurements should be equal! See "A".

USE SELF TAPPING SCREWS . . . 10 mm (3/8") LONG

\* AFTER ASSEMBLY CHECK BASE DIMENSIONS (SEE PAGE 6) TO VERIFY CORRECT POSITION OF RAILS.



\* AFTER ASSEMBLY CHECK BASE DIMENSIONS (SEE PAGE 6) TO VERIFY CORRECT POSITION OF RAILS.

### WARNING!

DO NOT ERECT ON A WINDY DAY. THE LARGE WALL AND ROOF PANELS PROVIDE A LARGE SURFACE AND THE WIND COULD EASILY CARRY THEM AWAY. ANY BUILDING LEFT PARTLY CONSTRUCTED MAY BE SERIOUSLY DAMAGED IF LEFT IN THIS STATE.

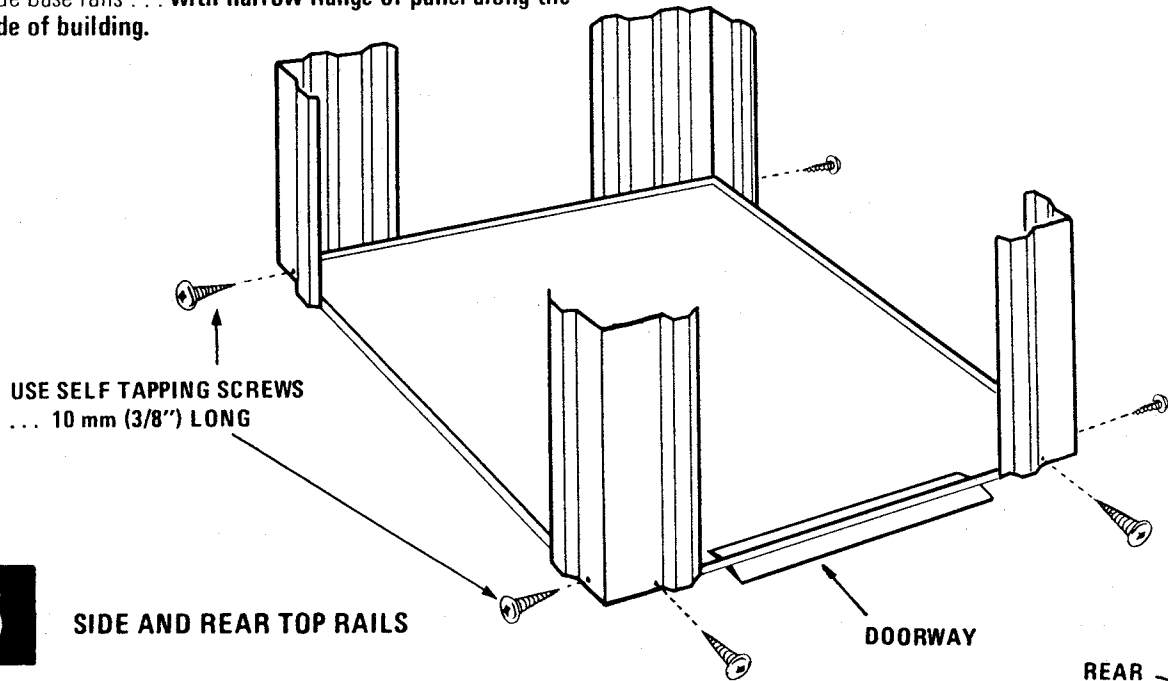


# 5

## CORNER PANELS

SEE PAGES 3, 4 and 5 FOR PROFILE, CORRECT PART No. AND QUANTITY REQUIRED FOR YOUR BUILDING

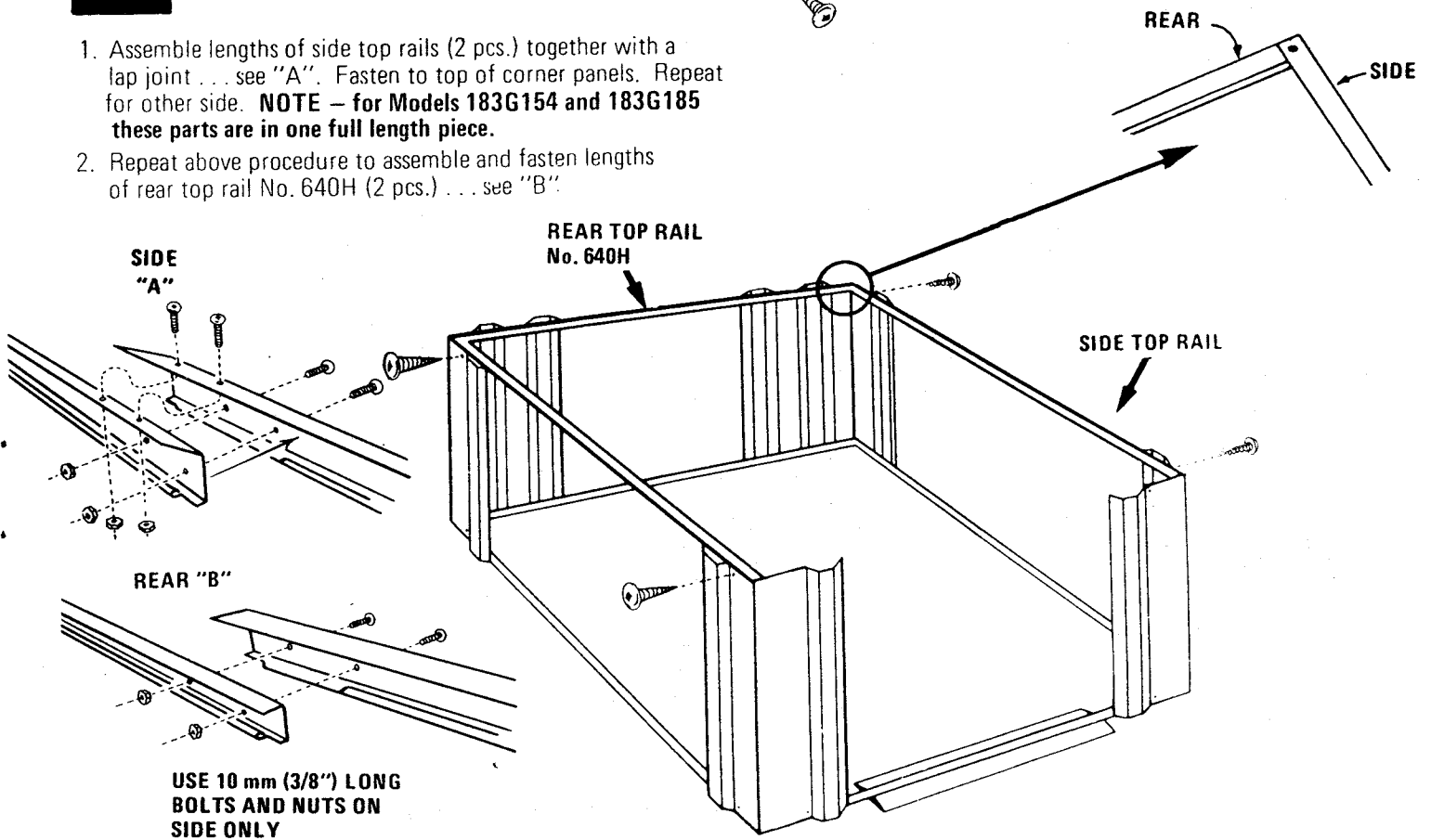
1. Position **rear** corner panels and fasten to rear and side base rails . . . **with narrow flange of panel along the side of the building.**
2. Position **front** half corner panels and fasten to front and side base rails . . . **with narrow flange of panel along the side of building.**



# 6

## SIDE AND REAR TOP RAILS

1. Assemble lengths of side top rails (2 pcs.) together with a lap joint . . . see "A". Fasten to top of corner panels. Repeat for other side. **NOTE – for Models 183G154 and 183G185 these parts are in one full length piece.**
2. Repeat above procedure to assemble and fasten lengths of rear top rail No. 640H (2 pcs.) . . . see "B".



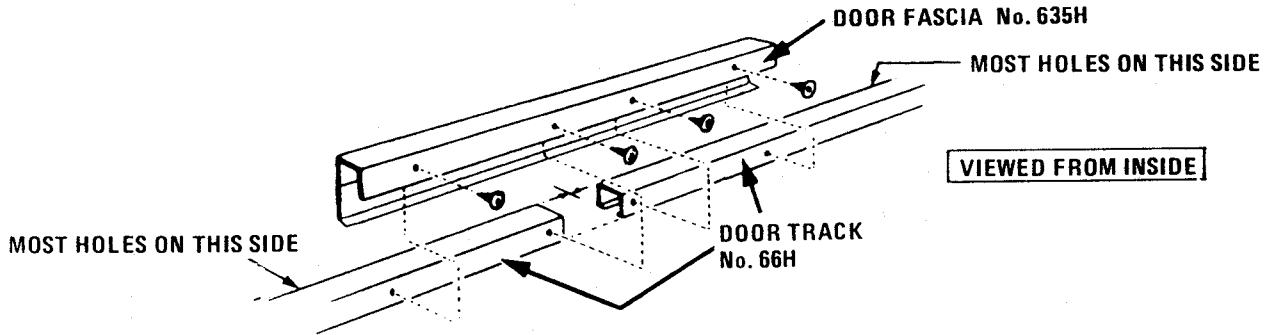
# 7

## SPLICED ASSEMBLY OF DOOR TRACK AND DOOR FASCIA

SEE PAGES 3, 4 and 5 FOR PROFILE, CORRECT PART No. AND QUANTITY REQUIRED FOR YOUR BUILDING.

1. Assemble lengths of Door Track No. 66H (2 pcs.) together with door fascia No. 635H.

USE SELF TAPPING SCREWS . . . 10 mm (3/8") LONG

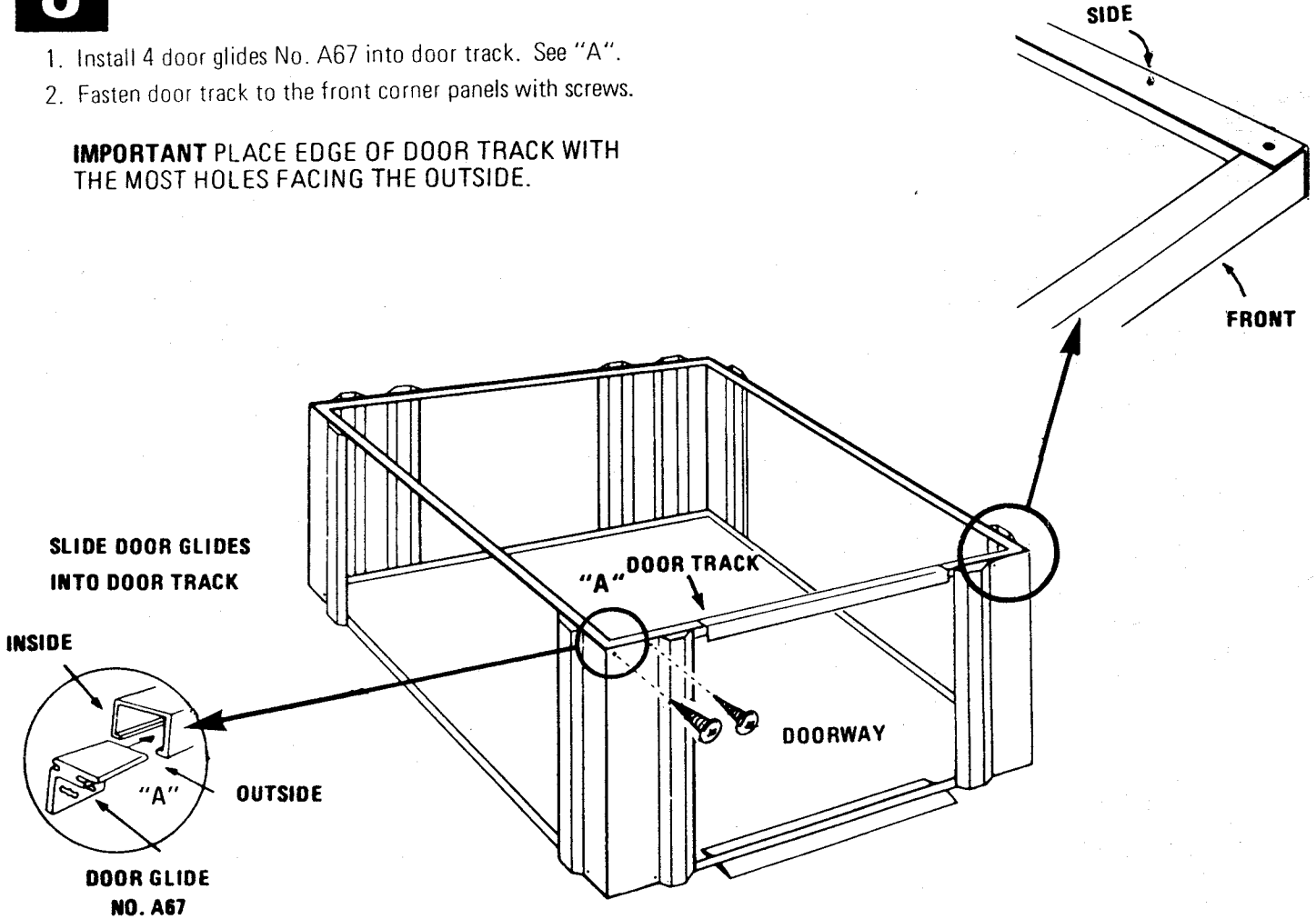


# 8

## DOOR TRACK INSTALLATION

1. Install 4 door glides No. A67 into door track. See "A".
2. Fasten door track to the front corner panels with screws.

**IMPORTANT** PLACE EDGE OF DOOR TRACK WITH THE MOST HOLES FACING THE OUTSIDE.

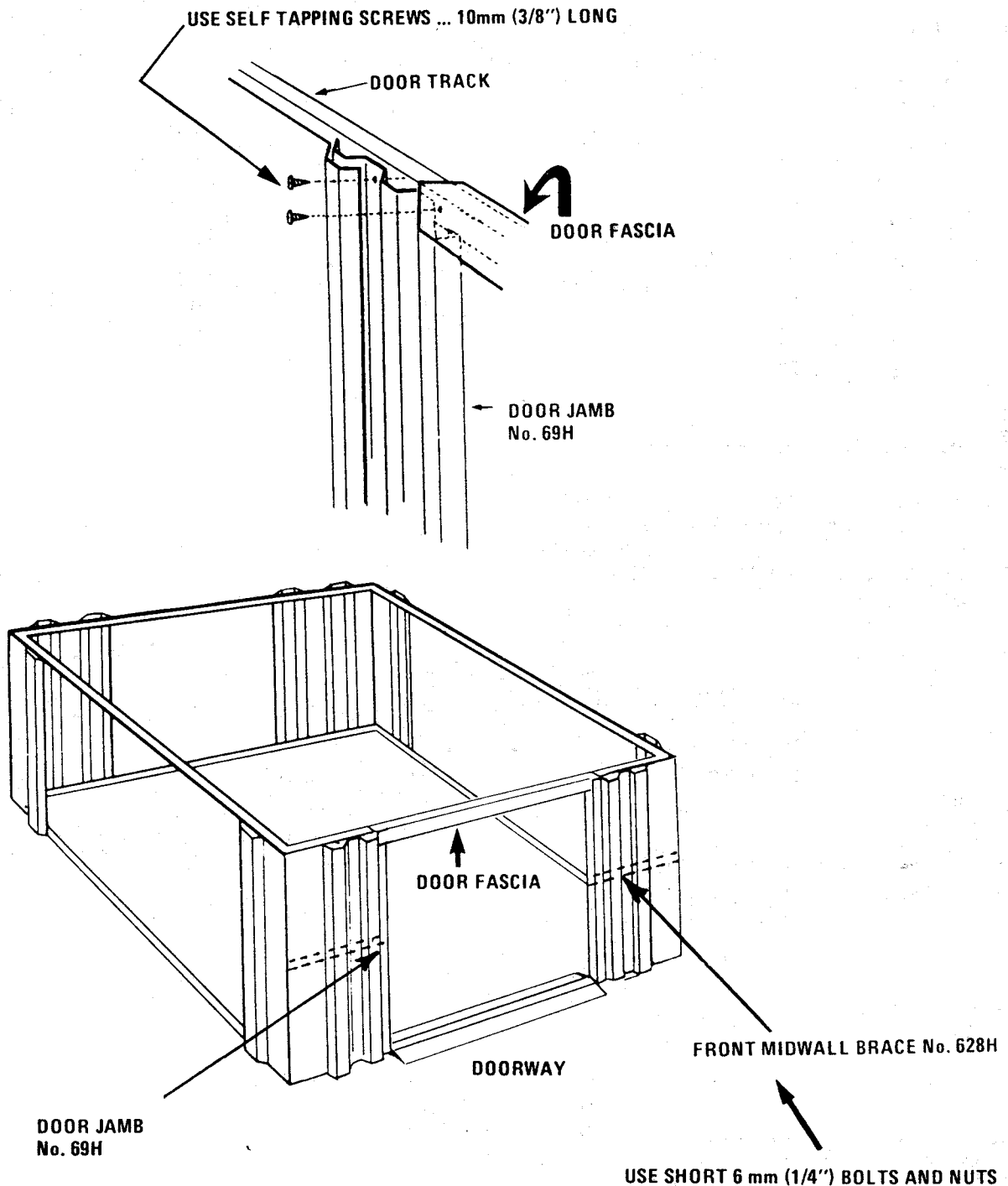


USE SELF TAPPING SCREWS . . . 10mm (3/8") LONG

# 9

## DOOR JAMBS, AND FRONT MIDWALL BRACE

1. Remove corner panel screws as necessary and install door jambs No. 69- on each side of entry ramp ... siding door jamb **under** the half corner panel and **under** door fascia. See "A". Fasten at base rail - - then fasten through the door fascia and door jamb into the side of door track. Replace half corner panel screws.
2. Fasten door jamb to half corner panels at midwall height with 10mm (3/8") bolts and nuts.
3. Install front mid-wall brace No. 628H on each side of doorway. Use short bolts 6 mm (1/4").

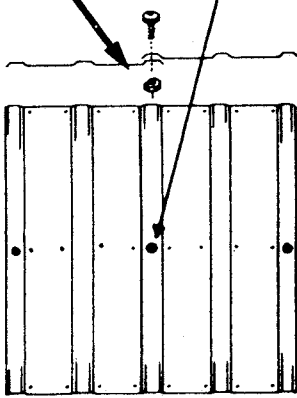


# 10

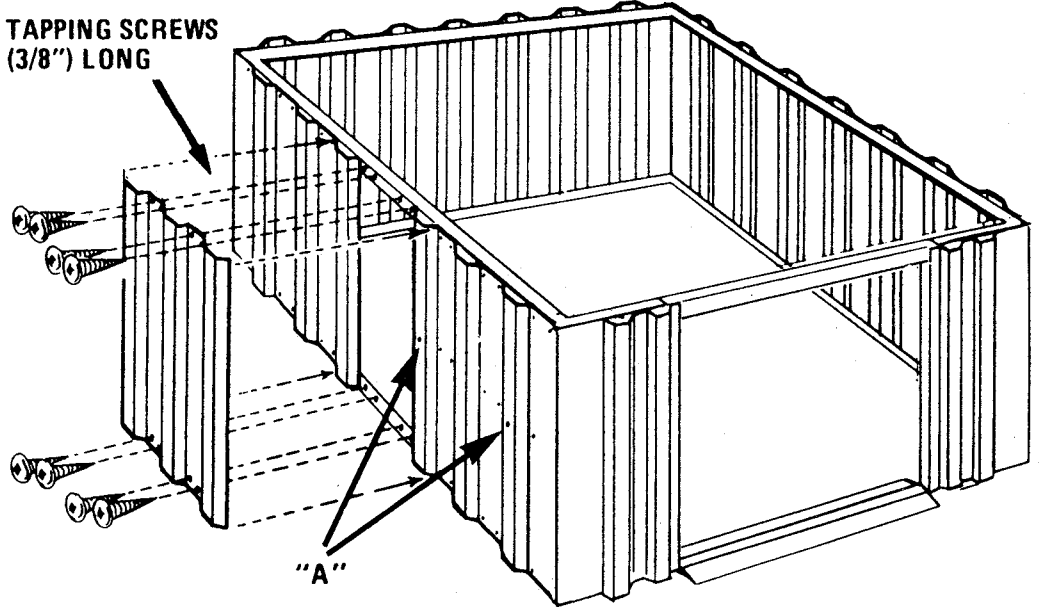
## SIDE AND REAR WALL PANELS

1. Install wall panels on each side wall . . . fasten to base rails and top rails.  
**NOTE – Model 183G185 uses a smaller half wall panel along the side walls only.**
2. At the midwall height on the overlap ridge joint of each wall panel . . . fasten with 10 mm (3/8") long bolts and nuts. See "A".
3. Repeat above procedure to install rear wall panels.

USE 10 mm (3/8") LONG BOLTS AND NUTS



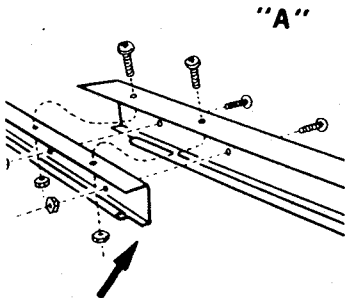
USE SELF TAPPING SCREWS . . . 10 mm (3/8") LONG



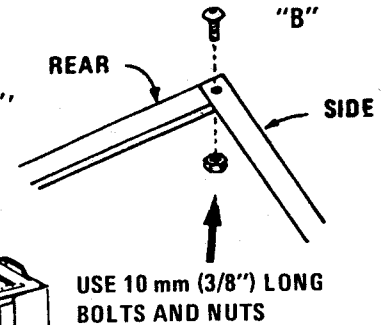
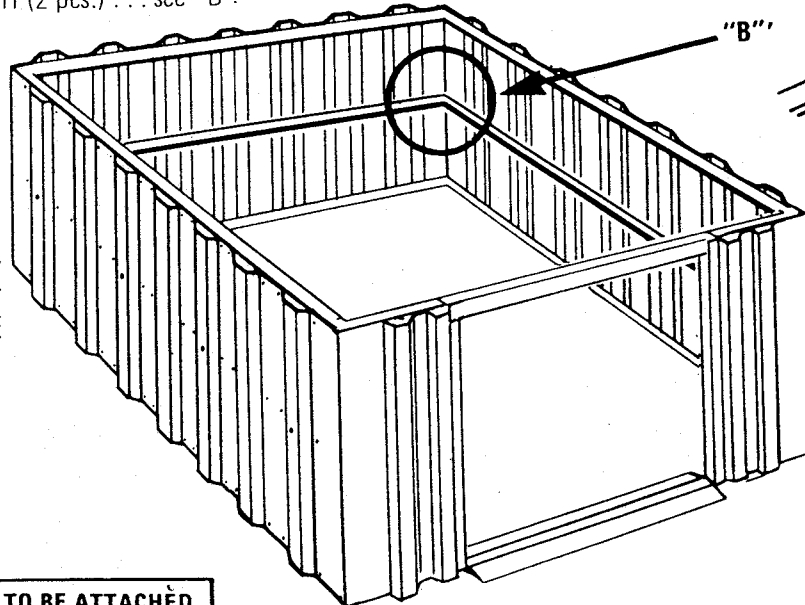
# 11

## SIDE AND REAR MIDWALL BRACE

1. Assemble lengths of side midwall brace (2 pcs.) together with a lap joint. See "A". Fasten midwall brace to wall panels from the outside. Repeat for other side. **NOTE – for Models 183G154 and 183G185 these parts are in one full length piece.**
2. Repeat above procedure to assemble and fasten lengths of rear top rail No. 640H (2 pcs.) . . . see "B".



USE 10 mm (3/8") LONG BOLTS AND NUTS



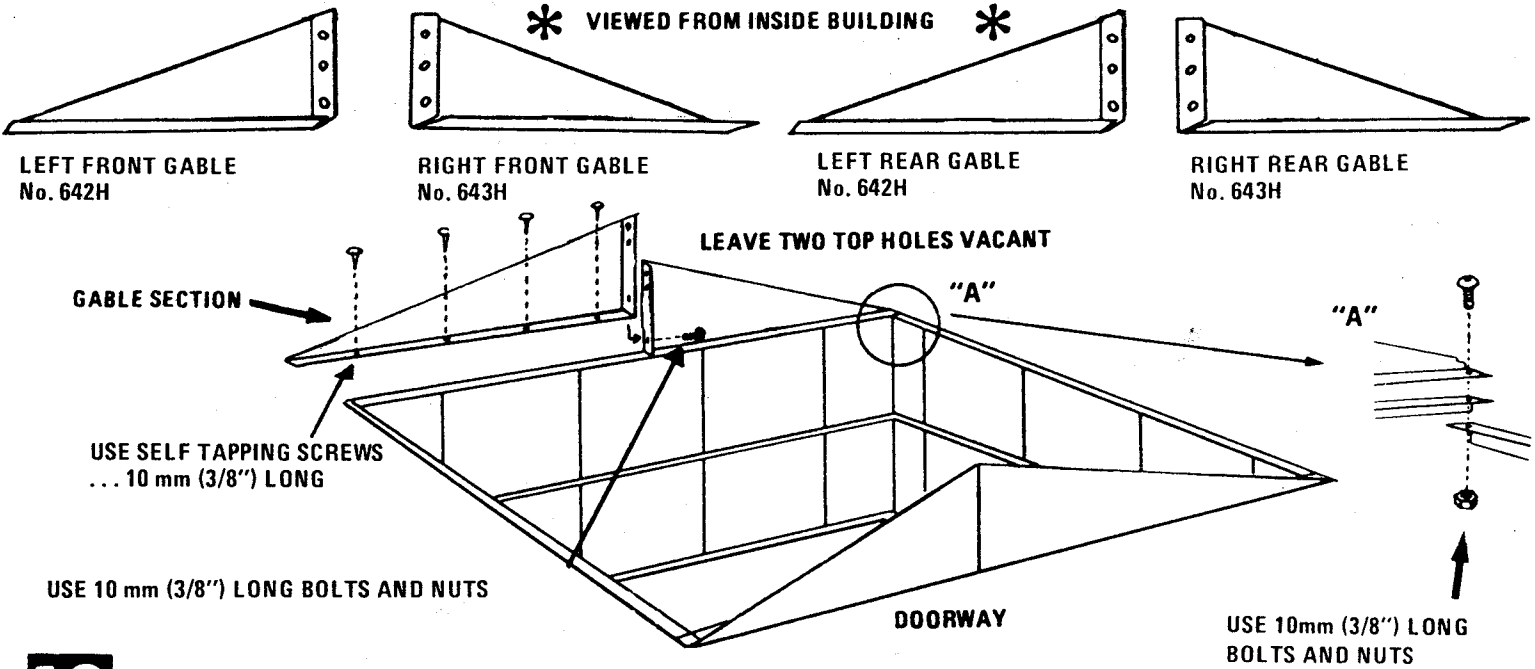
ALL WALL PANELS ARE TO BE ATTACHED TO TOP RAIL, MID-WALL BRACE AND BASE RAIL WITH SCREWS.

# 12

## GABLE INSTALLATION

1. Place right rear gable in position and fasten to rear top rail with screws. See "A".
2. Install left rear gable as above.
3. Fasten right and left gables together . . . leaving two top holes vacant.
4. Repeat above for front set of gables.

**USE A STEP LADDER**



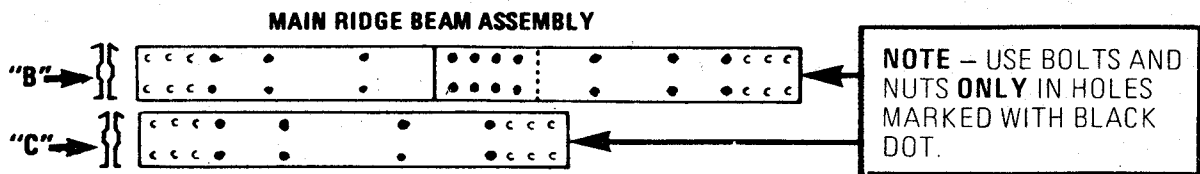
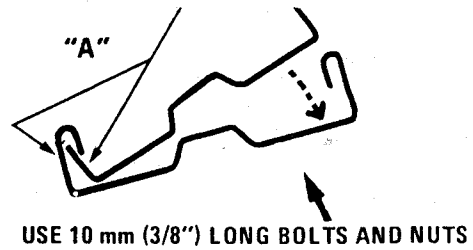
# 13

## MAIN RIDGE BEAM ASSEMBLY

1. To combine the **main ridge beam** . . . select two pieces that combine (when lapped) to make the proper length for your building. **NOTE – for Models 183G154 and 183G185 these parts are in one full length piece.**
2. Lay pieces on hard surface. Position one end (with flange cutout --- See "A" and note small holes position) into the second piece (at the end with the full flange --- See "A" and note small holes position). Align holes in beams --- then step on raised edge to snap top beam into place. Tap beams into place to align holes if necessary.
3. Assemble another set in same manner and fasten the two sets together with bolts and nuts as per "B". (for Models 183G154 and 183G185 fasten together as per "C").

**SEE PAGES 3, 4 and 5 FOR PROFILE, CORRECT PART No. AND QUANTITY REQUIRED FOR YOUR BUILDING**

**NOTE—SMALL HOLES ON BOTH THESE FLANGES.**

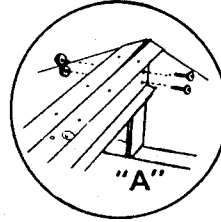


# 14

## INSTALLATION OF MAIN RIDGE BEAM

1. Position the main ridge beam section on the gables . . . with the extended lips of the gable section fitting between the 2 pieces . . . See "A". Fasten with bolts and nuts.

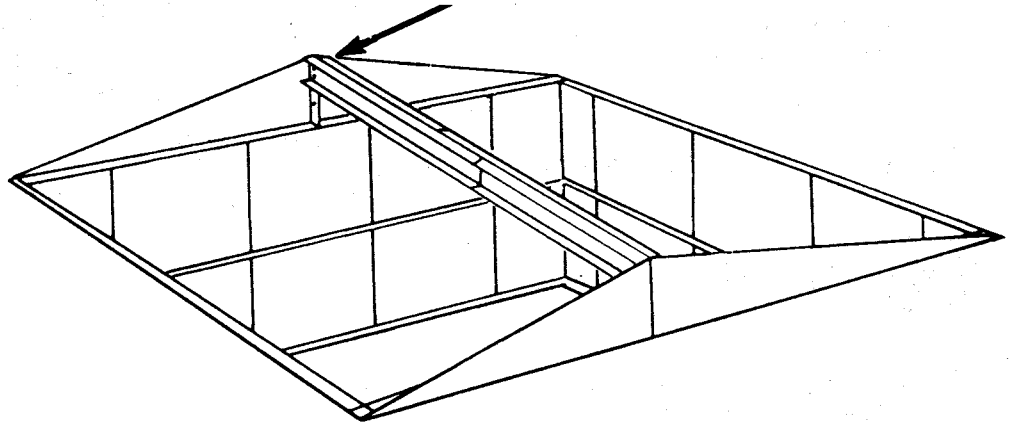
**NOTE** - TO INSTALL USE ONLY 2 BOLTS AND NUTS AT EACH END.



**MAIN RIDGE BEAM**

**NOTE** - HOLES ON TOP LIP OF BEAMS MUST BE ON TOP SURFACE WHEN INSTALLING

USE 10 mm (3/8") LONG BOLTS AND NUTS



# 15

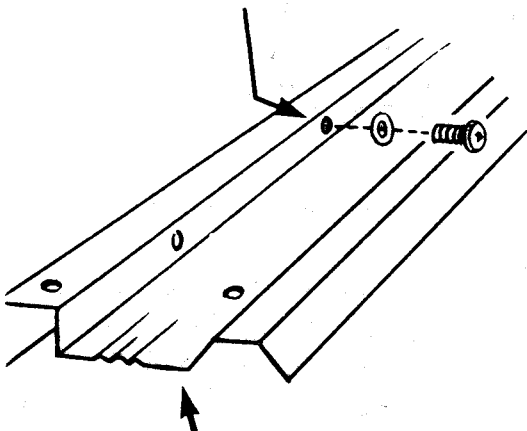
## ROOF END PANELS

1. Position roof end panel over gable section . . . line up holes and fasten with bolts and washers through the roof end panel and with nuts on the outside of the gable.
2. Then fasten to ridge beam and side top rails with screws and washers.

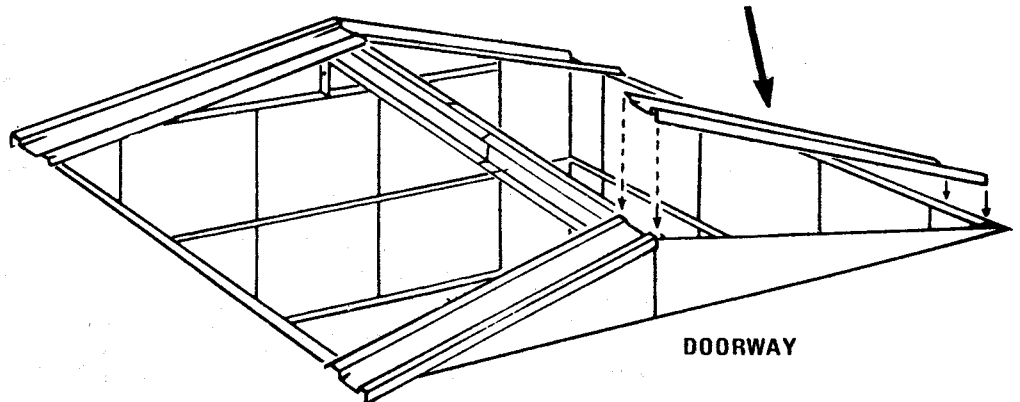


USE SELF TAPPING SCREWS . . . 10mm (3/8") LONG WITH WASHERS AT RIDGE BEAMS AND TOP RAILS

USE 10 mm (3/8") LONG BOLTS AND NUTS WITH WASHERS



**ROOF END PANEL**  
No. 618H (left)  
No. 644H (right)



**DOORWAY**

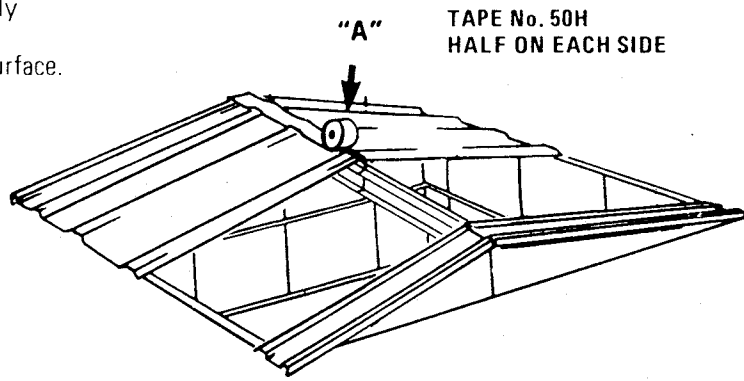
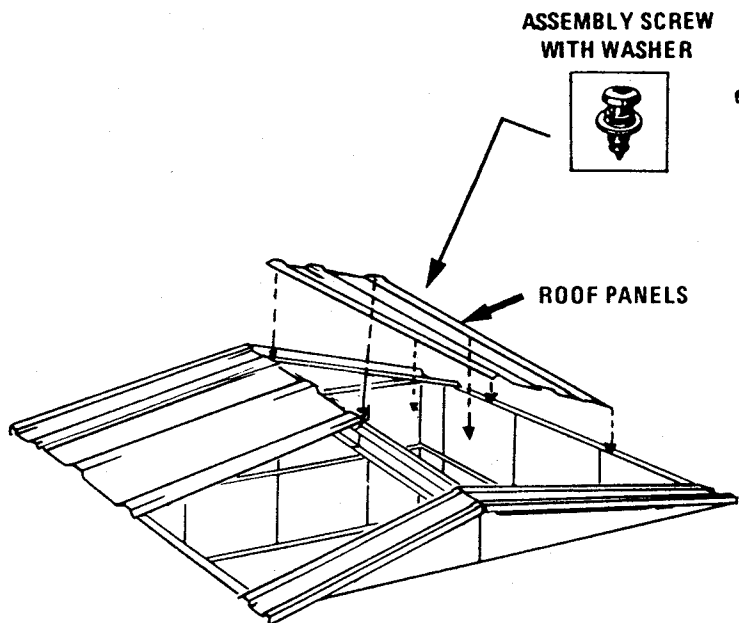
# 16

## ROOF PANELS AND TAPE

1. Install roof panels by overlapping the adjacent panel. Fasten to ridge beam and top rails with screws and washers. **NOTE – Model 183G185 uses a small half roof panel on each side at the centre.**
2. Start panels at one end and do both sides. Carefully apply tape (as you progress) between the top of the roof panels on each side of the roof. See "A". **This is a weatherseal and must be applied with care with no air gaps.**

**NOTE –** Be sure surface is clean, dry and dust free and apply only when temperature is between 13°C (55°F) and 21°C (70°F). Be sure all edges on all sides are sealed tightly to surface.

SEE PAGES 3, 4 and 5 FOR PROFILE, CORRECT PART No. AND QUANTITY REQUIRED FOR YOUR BUILDING



**PRESS TAPE DOWN FIRMLY AND DO NOT CUT TAPE UNTIL ROOF IS COMPLETE**

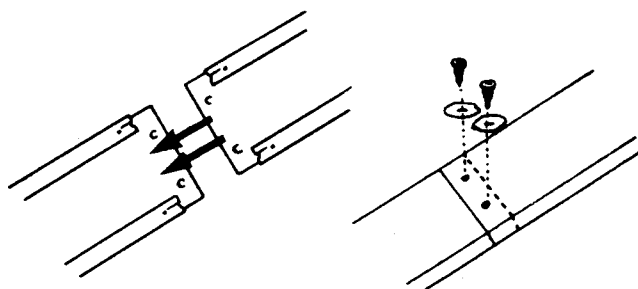
# 17

## RIDGE COVER ASSEMBLY

1. Assemble lengths of ridge cover together by inserting one end inside the other. Fasten with screws and washers and **handle carefully!** **NOTE – for Models 183G154 and 183G185 these parts are in one full length piece.**



**TURN UPSIDE DOWN TO ASSEMBLE THEN HANDLE CAREFULLY AFTER ASSEMBLY**

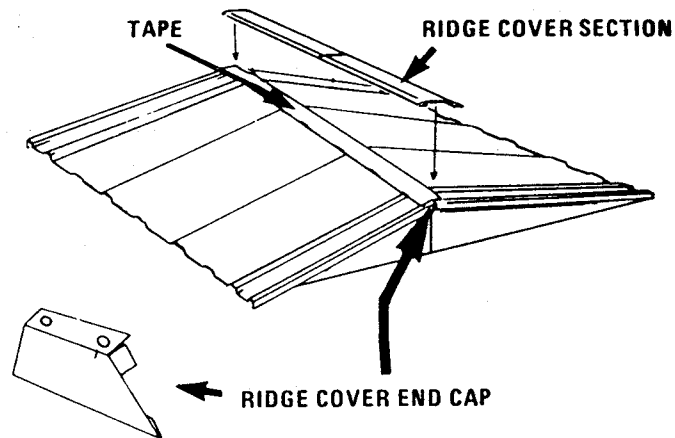
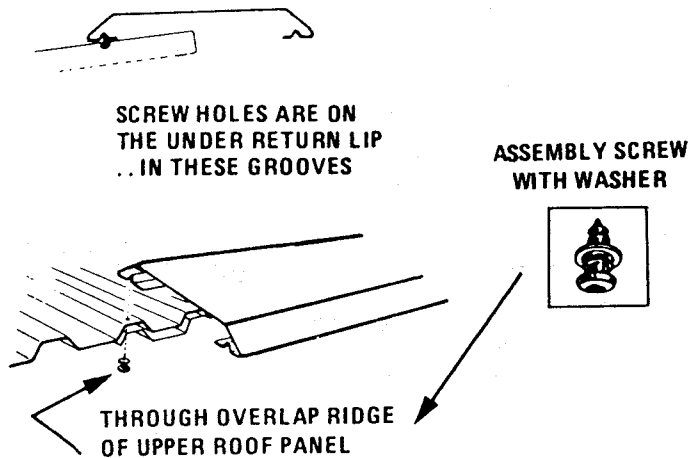


**USE SELF TAPPING SCREWS ... 10mm (3/8") LONG WITH WASHERS**

# 18 RIDGE COVER AND END CAP INSTALLATION

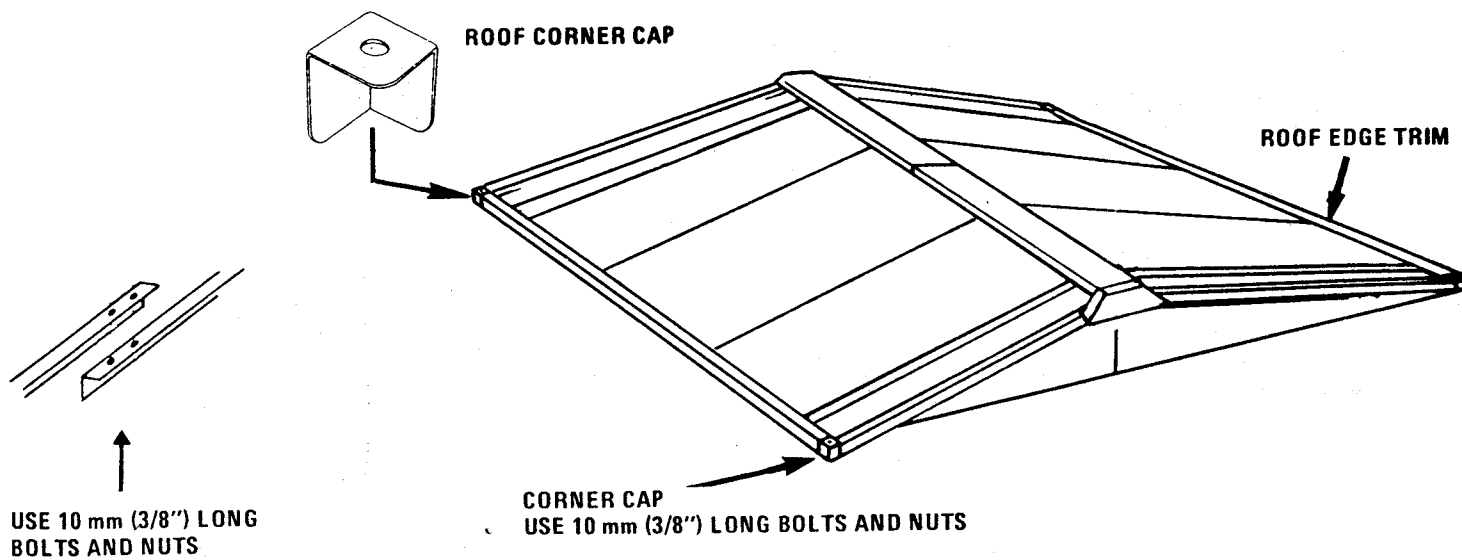
1. **Carefully** position ridge cover section and arrange for a helper outside on a ladder to adjust position and to apply pressure as necessary.
2. From the inside of building start from the gable ends and fasten with screws and washers up through the holes in the overlap ridge of the upper roof panels. The screws go through into the under return lip of the ridge cover.
3. Continue to fasten both sides as you work from the ends to the centre.
4. Clip ridge end caps in place and fasten with screws.

SEE PAGES 3, 4 and 5 FOR PROFILE, CORRECT PART No. AND QUANTITY REQUIRED FOR YOUR BUILDING



# 19 ROOF EDGE TRIM AND ROOF CORNER CAP

1. Install lengths of roof edge trim (2 pcs.) separately in place over edge of roof panels with a lap joint. Fasten with bolts and nuts. **NOTE** – for Models 183G154 and 183G185 these parts are in one full length piece.
2. Fasten corner caps (4) through roof end panels and roof edge trim with bolts and nuts.





# 20

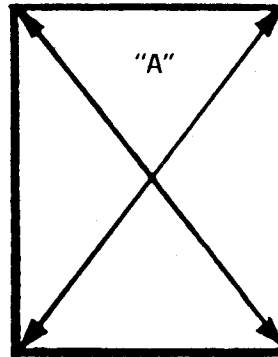
## COMPLETE THE ANCHORING OF YOUR BUILDING NOW! YOUR BUILDING MUST BE ANCHORED!

1. Check building position on concrete base and adjust to original planned position.
2. Carefully position base frame in the centre of solid base foundation --- to allow at least 100 mm (4") of solid base outside the frame.
3. Check base frame for squareness by measuring diagonal corners. Your measurements should be equal! See "A".
4. Inside your base frame . . . there are 6 mm (1/4") holes in the entry ramp and on the inside flange of the front, side and rear base rails. **These are anchor holes** . . . for installation of anchor screws into the concrete or patio stones. See "B" and "C".
5. When your base frame is square . . . use a black felt pen to mark location of anchor hole centre on the concrete. **Mark for all anchor holes.**
6. With an electric drill and a Carbide Bit (Check size to suit anchor shield) . . . drill proper holes into concrete at each mark.
7. Insert anchor shields into each hole.
8. Fasten all base rails to concrete with anchor screws.

**NOTE:** Anchor screws, washers and shields are **NOT** supplied as part of the hardware package and may be purchased at your local store. You will require No. 10 concrete anchor screws 38 mm (1 1/2") long with washers and expansion shields **PLUS** a Carbide Bit to suit.

### QUANTITY REQUIRED

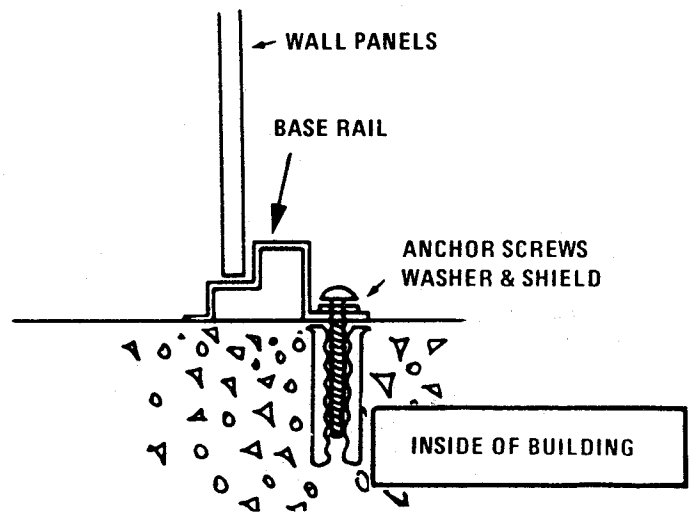
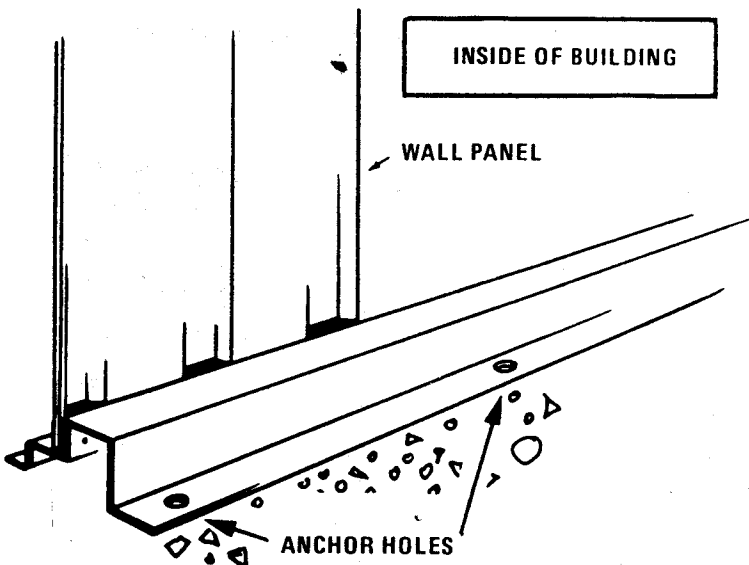
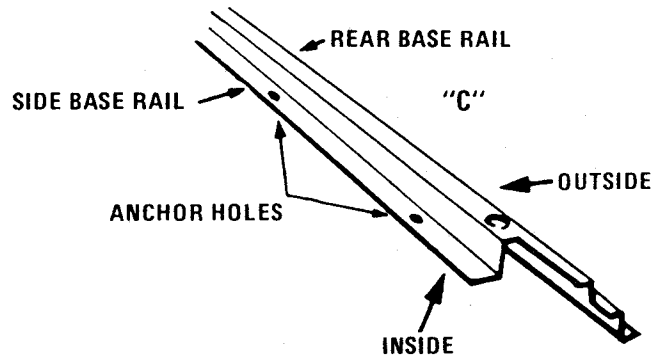
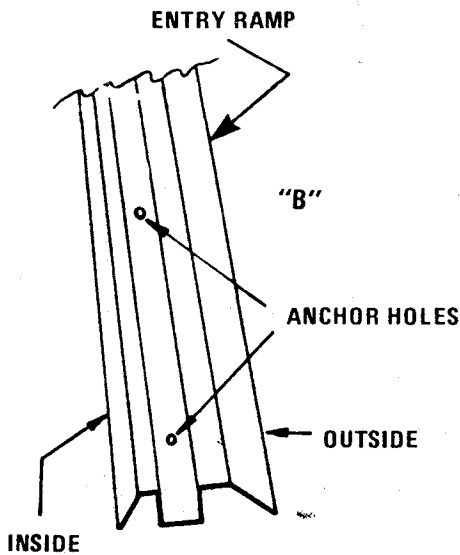
183G154-14	183G216-18
183G185-14	183G278-20



DOORWAY



ANCHOR SCREWS  
WASHER & SHIELD



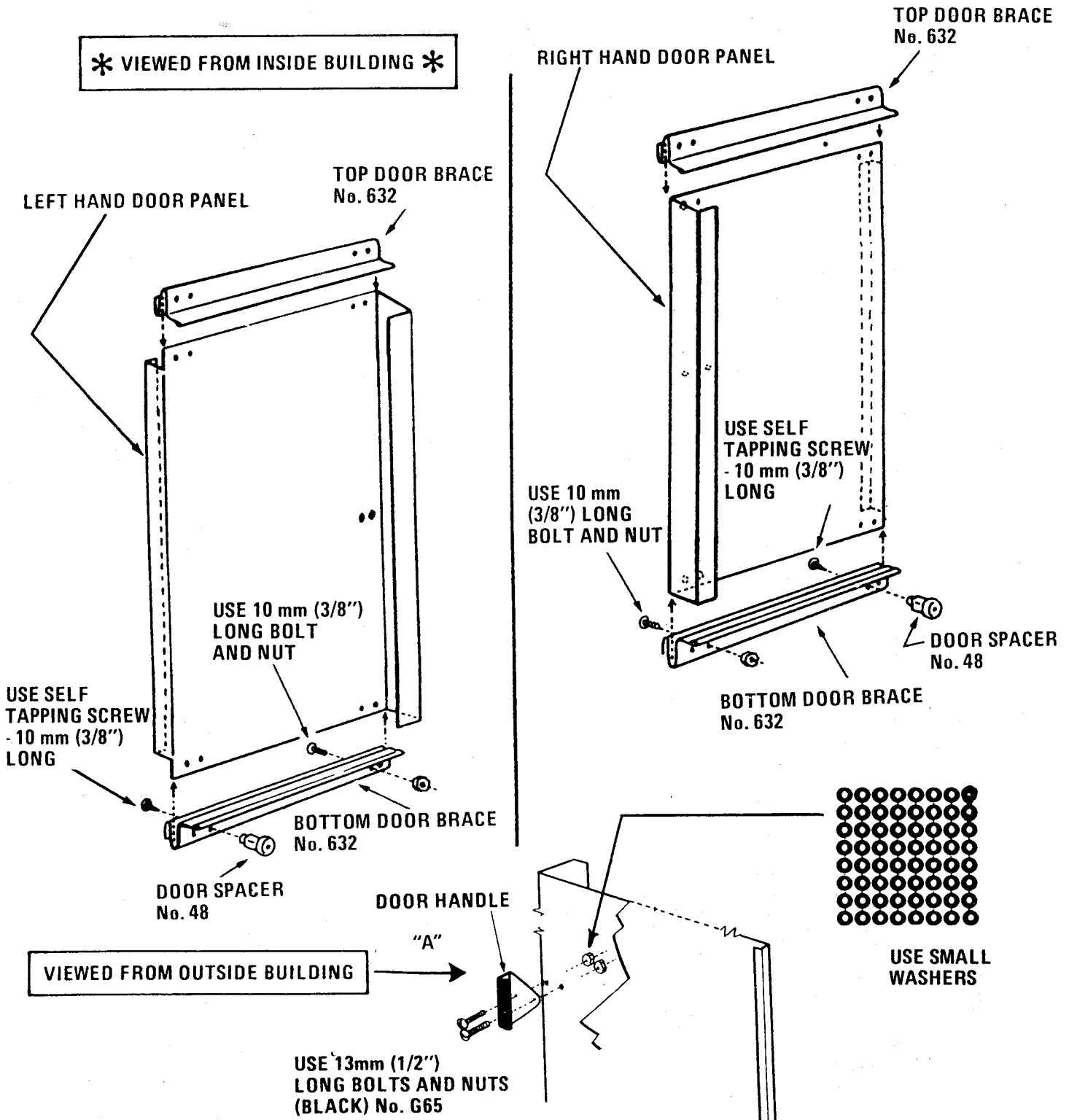
### IMPORTANT

This Building is designed to withstand normal wind loads when installed according to instructions. Spacemaker Ltd. cannot be held responsible for any consequences due to buildings that are not installed per instructions or for damage due to any weather conditions or acts of God.

# 21

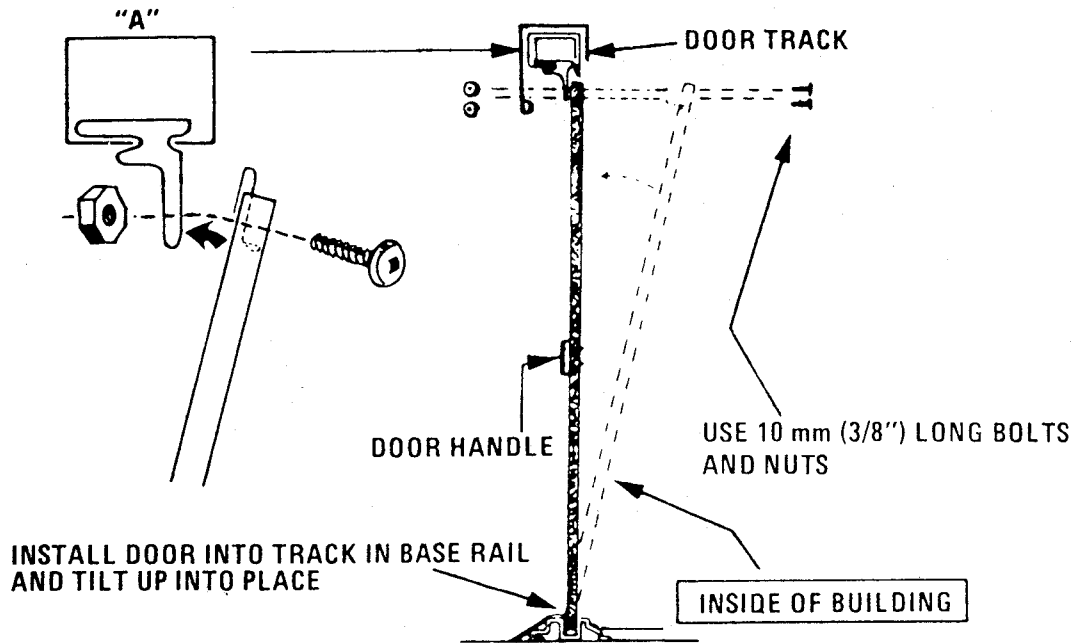
## DOOR AND HARDWARE ASSEMBLY

1. Install door braces No. 632 over top and bottom of left door panel . . . **exactly as illustrated below.**  
Line up holes in brace with holes in door panel.
2. **Fasten bottom brace only** . . . with screw and door spacer on door jamb end and bolt and nut on the other end. Use hole positions exactly as shown below.
3. Repeat for right door panel . . . be sure to position door spacer in correct position.
4. Install door handles. See "A".



## 22 DOOR INSTALLATION (FROM INSIDE)

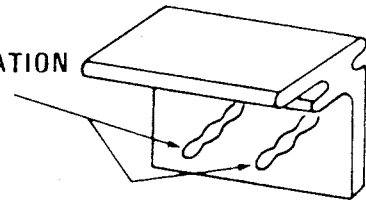
1. Inside and near the corner of building, install bottom lip of left door into track formed in base rail.
2. Position top of door so that holes in door line up with CENTRE holes in door glide. Fasten door glides to door with 10 mm (3/8") long bolts and nuts from **THE INSIDE**. See "A".
3. Install right hand door in the same manner.



## 23 DOOR ADJUSTMENT (FROM INSIDE)

1. Close doors to see if they meet squarely. There are three holes in each of the door glides to raise or lower doors as required for a square fit.

ADJUST BOLT LOCATION IN THESE 3 HOLES FOR SQUARE FIT



## 24 EMBLEM (IF INCLUDED)

1. Use double sided tape strips included with your building.
2. Remove paper backing from one side of the tape and press onto the back of the emblem in enough locations to provide adequate contact with the gable.
3. Carefully locate your emblem in the desired position on the front gable and mark location.
4. Remove remaining paper backing on the tape and press firmly onto front gable.

**IMPORTANT** BE SURE THAT ALL BOLTS AND NUTS ARE INSTALLED AND TIGHTENED FOR MAXIMUM STRENGTH OF BUILDING.

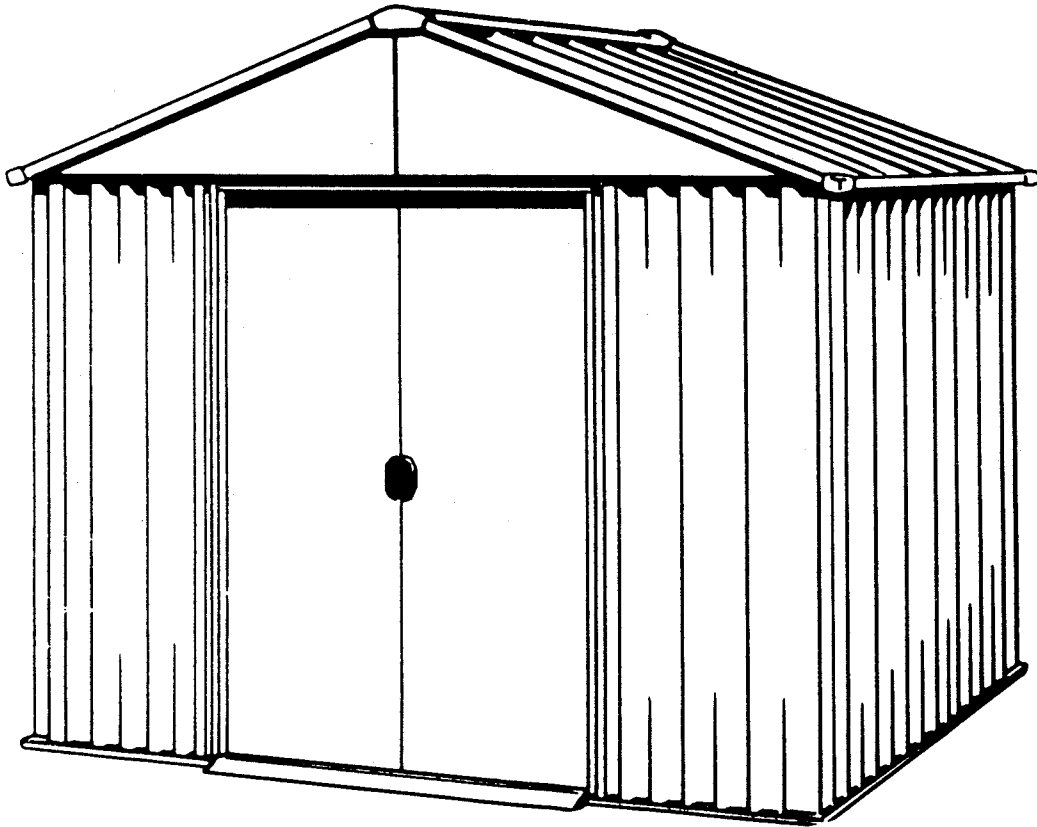
**CAUTION** TO PREVENT DAMAGE TO THE ROOF OF YOUR BUILDING... **DO NOT STAND ON ROOF**. DURING THE WINTER **DO NOT** ALLOW MORE THAN 25.4 cm (10") OF SNOW TO ACCUMULATE. UNDER SUCH CONDITIONS OCCUPANCY IS HAZARDOUS AND **MUST BE AVOIDED**. IF THE BUILDING IS NOT ACCESSIBLE DURING WINTER MONTHS, THE ROOF SHOULD BE BRACED FROM THE INSIDE.

**HEAVY SNOW:** IF YOU EXPECT DEEP ACCUMULATION HAVE 2X4 BRACES AVAILABLE TO PROP UP RIDGE BEAMS UNTIL THE SNOW CAN BE REMOVED FROM THE ROOF.

**CARE FREE MAINTENANCE** – Your building has been designed to give you years of carefree service. All parts have been precision engineered for perfect fit. It is manufactured from heavily galvanized steel with exterior parts pre-enameled on both sides at the steel mill.

Periodically clean and wax the exterior. This will enhance the appearance and prolong the usefulness of your building for many added years.

*Spacemaker Limited  
Canada's Storage Building Leader  
for Over a Decade!*



*Other Products Manufactured by Spacemaker Limited  
include:*

- *The Good Neighbour Fence System*
  - *Privacy Fence Panels*
- *Shelving Units*
- *Toboggans*

PRINTED IN CANADA