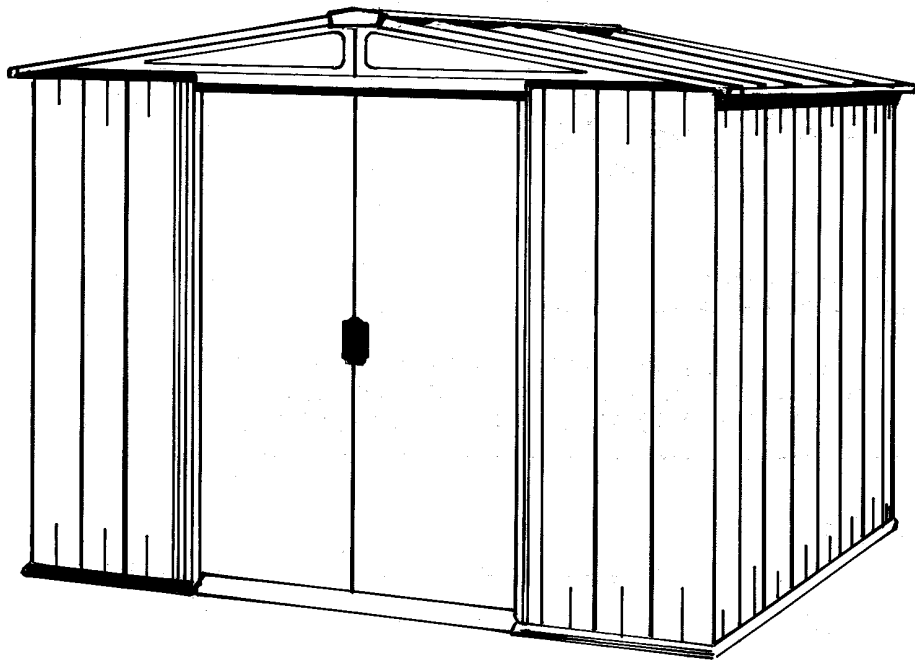


OWNER'S MANUAL

FOR MODELS

245G154 (GH85) – 245G185 (GH86) – 245G216 (GH87)

245G247 (GH88) – 245G278 (GH89)



EASY TO INSTALL

**Garden and Storage Buildings
Manufactured by
Spacemaker Limited**

CONTENTS

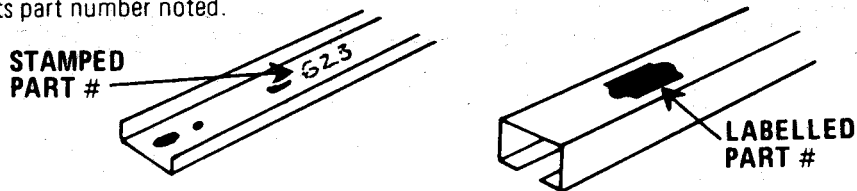
- Pre-construction instructions
- Assembling the building
- Anchoring the frame
- Parts List and ordering information.

PROCEED WITH CONFIDENCE

It might look complicated when you first unpack your building - - - but it really isn't. Simply follow the illustrated instructions and your building will go up quickly and accurately.

ASSEMBLY INSTRUCTIONS –

- **Before you start** - - - read through instructions carefully!
- **Get a friendly neighbour to help you** - - - you'll find a helping hand will speed the job and make assembly easier.
- **Selecting your site** - - - choose an area that's firm and level yet allows drainage away from site. **WARNING!** - - - **DO NOT INSTALL YOUR BUILDING IN AREAS SUBJECTED TO HIGH WINDS OR ERECT ON A WINDY DAY. ANY BUILDING LEFT PARTLY CONSTRUCTED MAY BE SERIOUSLY DAMAGED IF LEFT IN THIS STATE.**
- **Sort and separate all parts and hardware** - - - checking with your instructions and the illustrated parts check lists Pages 4 & 5 - - - to be sure you have all parts and know where they belong in the building. Each part is numbered and illustrated, the quantity required and its part number noted.

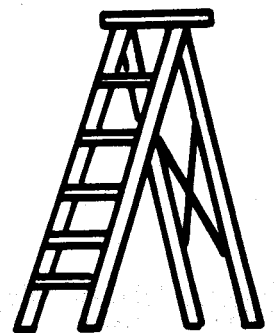
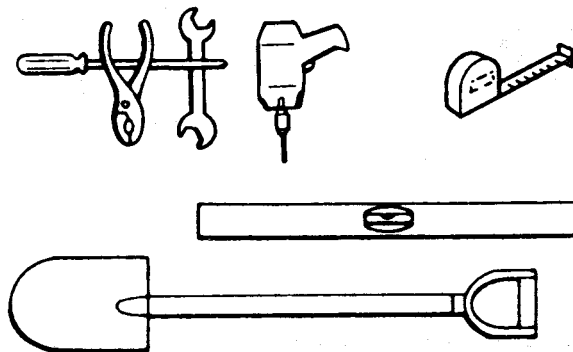


- **Follow step by step instructions carefully** - - - complete each step before going on to the next one.
- **Retain this manual after assembly is completed** - - - it contains a complete parts list.

*** FOR CANADA ONLY – REPLACEMENT PARTS OR ANY QUESTION RE YOUR BUILDING SHOULD BE REFERRED DIRECTLY TO THE FACTORY. DO NOT CONTACT YOUR DEALER. HE IS NOT EQUIPPED TO SERVICE YOUR REQUESTS AS PROMPTLY AS THE CUSTOMER SERVICE DEPARTMENT AT THE FACTORY.**

TOOLS REQUIRED –

- Phillips № 2 screwdrivers (magnetized head recommended)
- Pair of Pliers.
- Wrenches for 10mm (3/8") nuts.
- Step Ladder 1.52m (5 ft.)
- Steel Tape Measure 4.88m (16 ft.)
- * Carpenter's Level
- * Spade or Shovel
- * Electric Drill



* Used for leveling and anchoring building.

LAWN BUILDING CARE

- **Care free maintenance** – Your building has been designed to give you years of care free service. All parts have been precision engineered for perfect fit. It is manufactured from heavily galvanized steel with exterior parts pre-enameled on both sides at the steel mill. Periodically clean and wax the exterior. This will enhance the appearance and prolong the usefulness of your building for many years.
- **IMPORTANT** – This Building is designed to withstand normal wind loads when installed according to instructions. Spacemaker Ltd. cannot be held responsible for any consequences due to buildings that are not installed per instructions or for damage due to weather conditions or acts of God.

PARTS

*** FOR CANADA ONLY - REPLACEMENT PARTS OR ANY QUESTION RE YOUR BUILDING SHOULD BE REFERRED DIRECTLY TO THE FACTORY. DO NOT CONTACT YOUR DEALER. HE IS NOT EQUIPPED TO SERVICE YOUR REQUESTS AS PROMPTLY AS THE CUSTOMER SERVICE DEPARTMENT AT THE FACTORY.**

	MODEL 245G154		MODEL 245G185		MODEL 245G216		MODEL 245G247		MODEL 245G278	
	Part No.	Qty. Req.	Part No.	Qty. Req.	Part No.	Qty. Req.	Part No.	Qty. Req.	Part No.	Qty. Req.
◆ REAR BASE RAIL	84H	2	84H	2	84H	2	84H	2	84H	2
◆ SIDE BASE RAIL	53H	2	63H	2	73H	4	53H/73H	2/2	53H	4
◆ FRONT BASE RAIL	82H	2	82H	2	82H	2	82H	2	82H	2
◆ ENTRY RAMP	810H	1	810H	1	810H	1	810H	1	810H	1
◆ CORNER PANEL	*	4	*	4	*	4	*	4	*	4
◆ REAR TOP RAIL	840H	2	840H	2	840H	2	840H	2	840H	2
◆ SIDE TOP RAIL	527M	2	627M	2	727M	4	527M/727M	2/2	527M	4
◆ WALL PANEL	*	6	*	6	*	8	*	8	*	10
◆ HALF WALL PANEL (SIDE ONLY)	-	-	*	2	-	-	*	2	-	-
◆ MIDWALL BRACE (REAR)	840H	2	840H	2	840H	2	840H	2	840H	2
◆ MIDWALL BRACE (SIDES)	527M	2	627M	2	727M	4	527M/727M	2/2	527M	4
◆ DOOR JAMBS	89H	2	89H	2	89H	2	89H	2	89H	2
◆ DOOR TRACK	86H	2	86H	2	86H	2	86H	2	86H	2
◆ FRONT MIDWALL BRACE	828H	2	828H	2	828H	2	828H	2	828H	2
◆ LEFT GABLE	842H	2	842H	2	842H	2	842H	2	842H	2
◆ RIGHT GABLE	843H	2	843H	2	843H	2	843H	2	843H	2
◆ MAIN RIDGE BEAMS	516L	2	616L	2	H716H	4	H516H/H716H	2/2	H516H	4
◆ SECONDARY RIDGE BEAM	516H	2	616H	2	H716H	4	H516H/H716H	4/4	H516H	8
◆ LEFT ROOF END PANEL	818H	2	818H	2	818H	2	818H	2	818H	2
◆ RIGHT ROOF END PANEL	844H	2	844H	2	844H	2	844H	2	844H	2
◆ ROOF PANEL	819H	4	819H	4	819H	6	819H	6	819H	8
◆ HALF ROOF PANEL	-	-	847H	2	-	-	847H	2	-	-
◆ RIDGE COVER	520H	1	620H	1	720H	2	820H	2	520H/820H	1/1
◆ ROOF EDGE TRIM	541H	2	641H	2	741H	4	541H/741H	2/2	541H	4
◆ DOOR PANEL	*	2	*	2	*	2	*	2	*	2
◆ DOOR FASCIA	835H	1	835H	1	835H	1	835H	1	835H	1
ROLL OF TAPE 37mm x 3.05m (1-1/4" x 10')	50H	1	50H	1	50H	1	50H	1	50H	1
RIDGE COVER END CAP	49H	2	49H	2	49H	2	49H	2	49H	2
DOOR BRACES (TOP & BOTTOM)	832	4	832	4	832	4	832	4	832	4
SMALL WASHERS (TREE OF 64)-ROOF	C61	2	C61	2	C61	2	C61	3	C61	3
DOOR HANDLES	*	2	*	2	*	2	*	2	*	2
EMBLEM (IF INCLUDED)	*	1	*	1	*	1	*	1	*	1
TAPE FOR EMBLEM (2 pieces)	80	1	80	1	80	1	80	1	80	1
HARDWARE PACKAGE (SEE PAGE 6) CONTAINS NUTS, BOLTS AND SCREWS PLUS	H87	1	H87	1	H87	1	H109	1	H109	1
SECONDARY RIDGE BEAM BRACKETS	C49	4	C49	4	C49	4	C49	4	C49	4
ROOF CORNER CAP	60H	4	60H	4	60H	4	60H	4	60H	4
DOOR GLIDES	A67	4	A67	4	A67	4	A67	4	A67	4
BOTTOM DOOR SPACER	48	2	48	2	48	2	48	2	48	2
BOLT AND NUT FOR DOOR HANDLE	G65	4	G65	4	G65	4	G65	4	G65	4
OWNER'S MANUAL	MG245	1	MG245	1	MG245	1	MG245	1	MG245	1

*** NOTE - WHEN ORDERING WALL PANELS, HALF WALL PANELS, CORNER PANELS, DOOR PANELS, DOOR HANDLES OR EMBLEMS (IF INCLUDED) FOR REPLACEMENT ----- YOU MUST PROVIDE THE PART NUMBER SHOWN ON THE LABEL FOUND ON THE INSIDE OF THE DOOR PANEL.**

"THE PRICES AND THE PARTS REPLACEMENT ORDER FORM ARE FOR CANADA ONLY. PLEASE REFER TO YOUR LOCAL RETAILER FOR PRICES AND SUPPLY OF PARTS OUTSIDE CANADA."

PARTS REPLACEMENT ORDER FORM

FREIGHT CHARGES PER SHIPMENT - ◆ PARTS - SHIPPED COLLECT
ALL OTHER PARTS - SHIPPED PREPAID

PLEASE FILL IN MODEL NUMBER

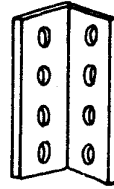
** MODEL NO. _____				PLEASE PRINT			
PARTS REQUIRED				NAME: _____			
PART NO.	QTY.	COLOUR	PRICE	ADDRESS: _____			
				CITY: _____ PROVINCE: _____			
				TELEPHONE: _____ POSTAL CODE _____			
				PURCHASED FROM _____			
				STORE ADDRESS: _____			
TOTAL COST: _____				DATE PURCHASED: _____			
NOTE: ENCLOSE CHEQUE OR MONEY ORDER FOR TOTAL AMOUNT. NO C.O.D. PLEASE							

MAIL TO: SPACEMAKER LIMITED, 3069 WOLFEDALE ROAD, MISSISSAUGA, ONT. L5C 1V9

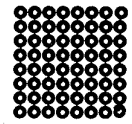
SMALL PARTS



NUT, BOLT AND SCREWPACK (1)
(SEE PAGE 6)



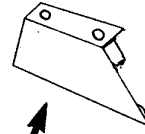
No. C49
SECONDARY RIDGE
BEAM BRACKET



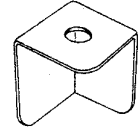
No. C61
SMALL WASHER TREE - ROOF



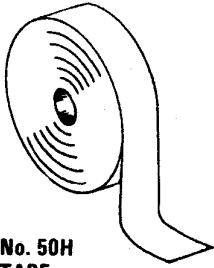
*
DOOR HANDLE



No. 49H
RIDGE COVER END CAP



No. 60H
ROOF CORNER CAP



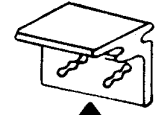
No. 50H
TAPE



No. G65
DOOR HANDLE BOLT AND NUT



No. 48
DOOR SPACER



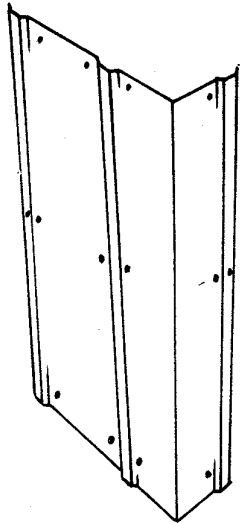
NO. A67
DOOR GLIDE

LARGER PARTS

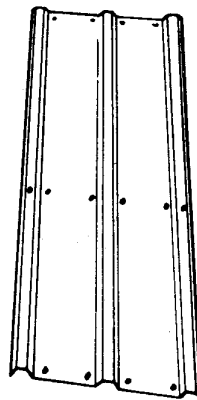
SEE PAGE 3 FOR PART NO'S AND QUANTITY

ILLUSTRATED PARTS

NOTE: DRAWINGS ARE NOT TO SCALE, BUT ARE DESIGNED TO SHOW CROSS SECTIONS AND GENERAL CONFIGURATION TO AID IDENTIFICATION.



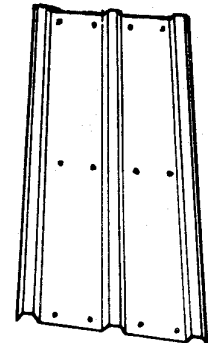
CORNER PANEL



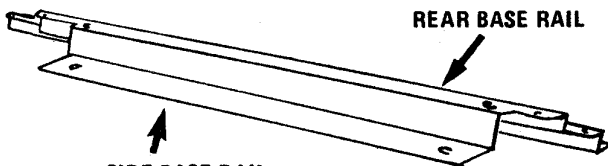
WALL PANEL



HALF WALL PANEL

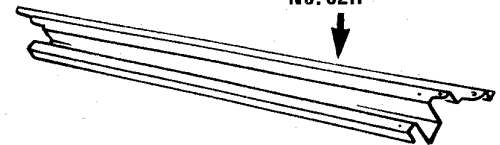


ROOF PANEL



SIDE BASE RAIL

REAR BASE RAIL



FRONT BASE RAIL
No. 82H



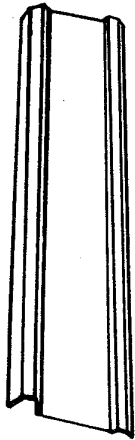
ENTRY RAMP
No. 810H

LARGER PARTS

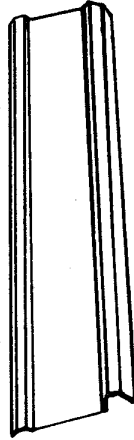
SEE PAGE 3 FOR PART NO'S AND QUANTITY

ILLUSTRATED PARTS

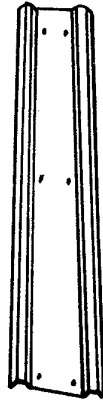
NOTE: DRAWINGS ARE NOT TO SCALE, BUT ARE DESIGNED TO SHOW CROSS SECTIONS AND GENERAL CONFIGURATION TO AID IDENTIFICATION.



ROOF END PANEL
(LEFT) No. 818H



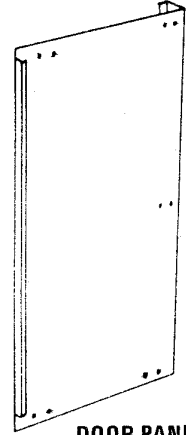
ROOF END PANEL
(RIGHT) No. 844H



HALF ROOF PANEL

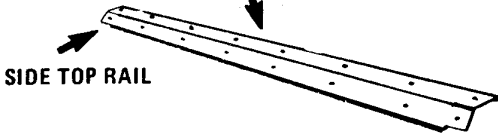


DOOR JAMB
No. 89H

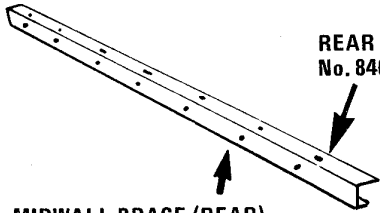


DOOR PANEL

MIDWALL BRACE (SIDE)

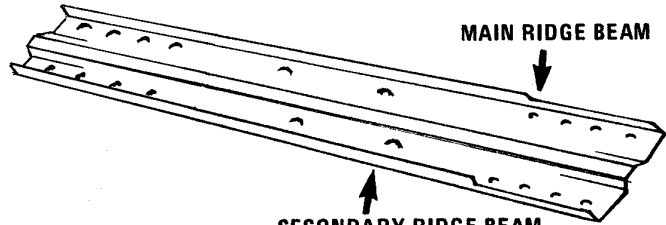


SIDE TOP RAIL



MIDWALL BRACE (REAR)
No. 840H

REAR TOP RAIL
No. 840H

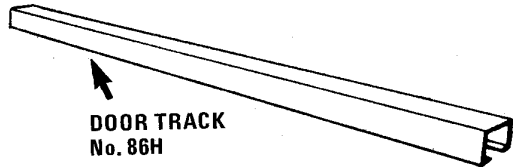


MAIN RIDGE BEAM

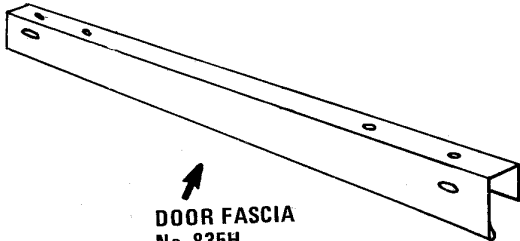
SECONDARY RIDGE BEAM



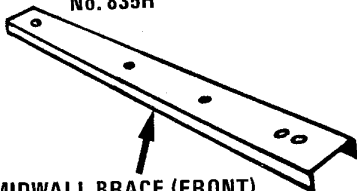
RIDGE COVER



DOOR TRACK
No. 86H

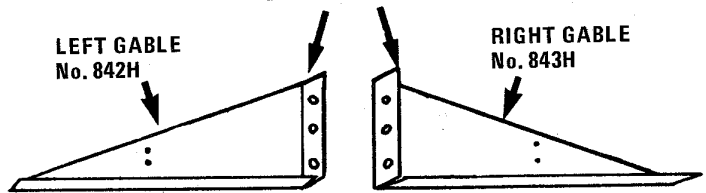


DOOR FASCIA
No. 835H



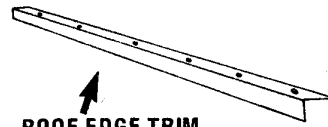
MIDWALL BRACE (FRONT)
No. 828H

INSIDE VIEW

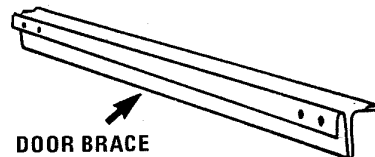


LEFT GABLE
No. 842H

RIGHT GABLE
No. 843H



ROOF EDGE TRIM

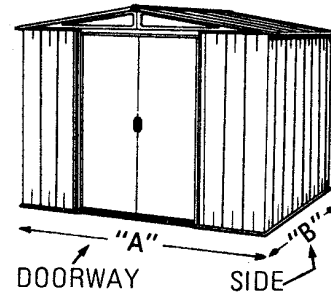


DOOR BRACE
TOP & BOTTOM
No. 832

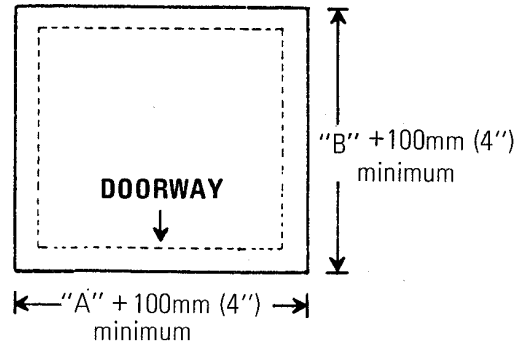
IMPORTANT

OUTSIDE MEASUREMENTS OF BUILDING AT BASE (approx.)

MODEL	"A"		"B"	
	cm	inches	cm	inches
245G154	235.0cm	92 1/2"	146.1cm	57 1/2"
245G185	235.0cm	92 1/2"	177.2cm	69 3/4"
245G216	235.0cm	92 1/2"	208.3cm	82"
245G247	235.0cm	92 1/2"	239.4cm	94 1/4"
245G278	235.0cm	92 1/2"	270.5cm	106 1/2"



SOLID FOUNDATION



NOTE –
YOUR SOLID FOUNDATION BASE MUST BE AT LEAST 100mm (4") LARGER THAN THE OUTSIDE MEASUREMENTS OF BUILDING.

1

PREPARATION OF BUILDING SITE

This building must be constructed on a **SOLID BASE FOUNDATION**. We recommend a poured concrete pad or large size concrete patio stone squares for a suitable floor and base. Whichever you select - - **make sure** your foundation area is firm and level and will allow drainage away from the site. Make your solid base foundation at least 100mm (4") larger than your building and check the type of anchoring procedure and hardware required . . . **See Page 17 NOW!**

NOTE: For a concrete pad base, prepare a level bed for a firm footing layer of crushed stone. The concrete pad should then be poured to a thickness of 100mm (4") to 125mm (5"). When completed allow to dry thoroughly for at least 48 hours.

YOUR BUILDING MUST BE ANCHORED

Your Building must be firmly anchored to your concrete pad or large concrete patio stone squares ... To help protect against damage in high winds.

FURTHER ANCHORING INSTRUCTIONS FOLLOW AFTER ALL WALL AND ROOF PANELS HAVE BEEN INSTALLED.

NOTE: Anchor screws, washers and shields are **NOT** supplied as part of the hardware package and may be purchased at your local store. You will require No. 10 concrete anchor screws 38mm (1 1/2") long with washers and expansion shields **PLUS** a Carbide Bit to suit.

QUANTITY REQUIRED

245G154 16	245G185 16	245G216 16
245G247 20	245G278 20	

ANCHOR SCREWS WASHER & SHIELD



HARDWARE PACKAGE →	PKG. No. H87	PKG. No. H109
FOR MODEL No. →	245G154	245G247
	245G185	245G278
	245G216	
SELF TAPPING SCREWS 10mm (3/8") LONG	320	360
10mm (3/8") LONG BOLTS AND NUTS	150	180
6mm (1/4") LONG BOLTS AND NUTS	12	14
SECONDARY RIDGE BEAM BRACKETS No. C49 or C50	4	4
ROOF CORNERS No. 60H	4	4
DOOR GLIDES No. A67	4	4
BOTTOM DOOR SPACER No. 48	2	2
13mm (1/2") LONG BLACK BOLTS AND NUTS – No. G65	4	4

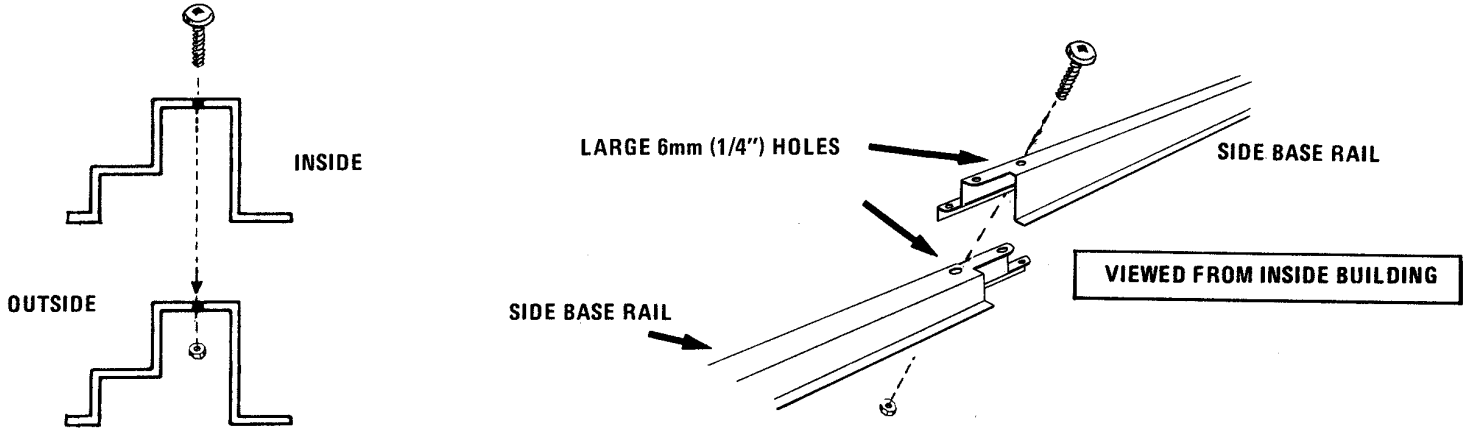
2

REAR AND SIDE BASE RAILS

SEE PAGES 3, 4, and 5 FOR PROFILE, CORRECT PART No. AND QUANTITY REQUIRED FOR YOUR BUILDING

1. Assemble lengths of side base rails (2 pcs.) together with a lap joint. Align large holes. Repeat for other side
NOTE – for Models 245G154 and 245G185 these parts are in one full length piece.
2. Repeat above procedure to assemble lengths of rear base rails No. 84H (2 pcs.).

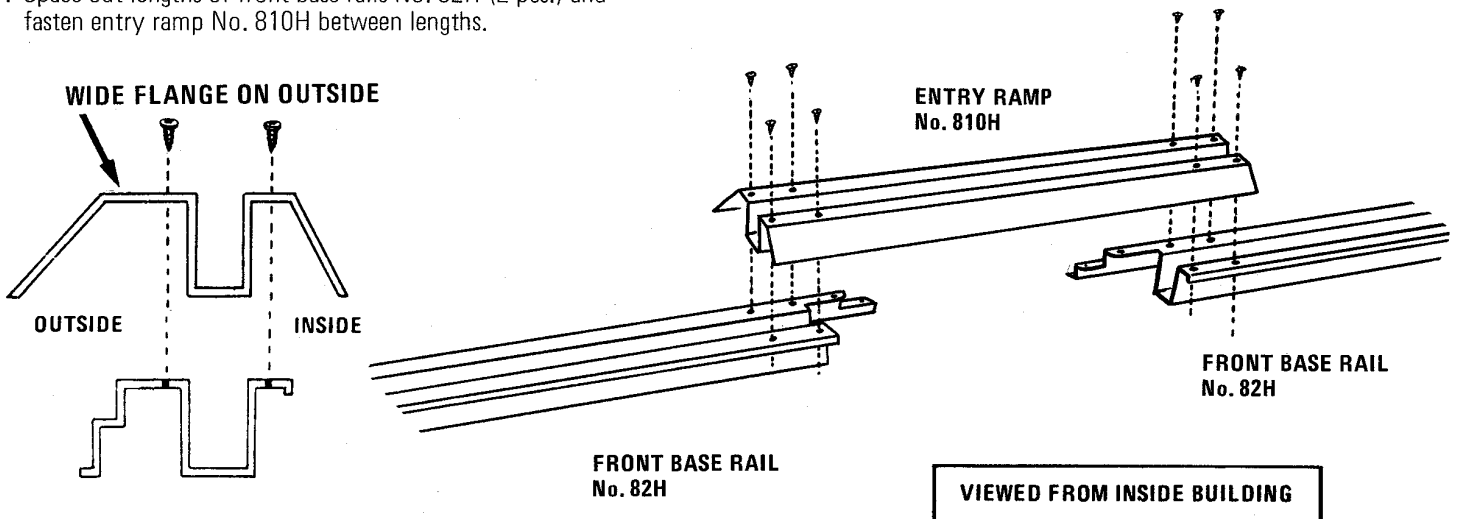
USE 10mm (3/8") LONG BOLTS AND NUTS



3

FRONT BASE RAILS AND ENTRY RAMP

1. Space out lengths of front base rails No. 82H (2 pcs.) and fasten entry ramp No. 810H between lengths.



USE SELF TAPPING SCREWS... 10mm (3/8") LONG

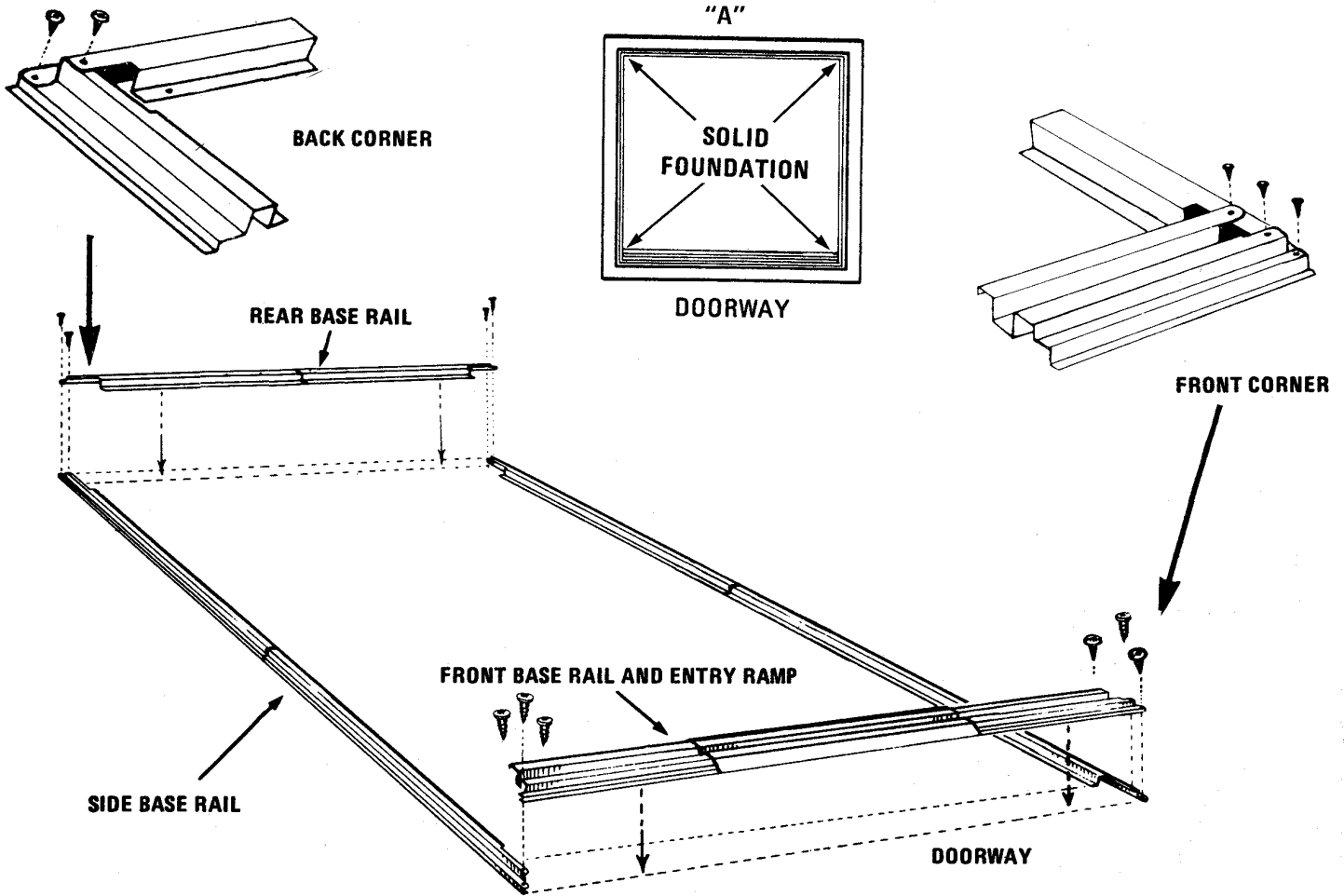
4

BASE FRAME ASSEMBLY

1. Assemble all 4 base rails into a base frame in proper position on your foundation. USE 10mm (3/8") self tapping screws on front and on back corners.
2. Check base frame for squareness by measuring diagonal corners. Your measurements should be equal! See "A".

USE SELF TAPPING SCREWS... 10mm (3/8") LONG

*** AFTER ASSEMBLY CHECK BASE DIMENSIONS (SEE PAGE 6) TO VERIFY CORRECT POSITION OF RAILS.**



*** AFTER ASSEMBLY CHECK BASE DIMENSIONS (SEE PAGE 6) TO VERIFY CORRECT POSITION OF RAILS.**

WARNING!

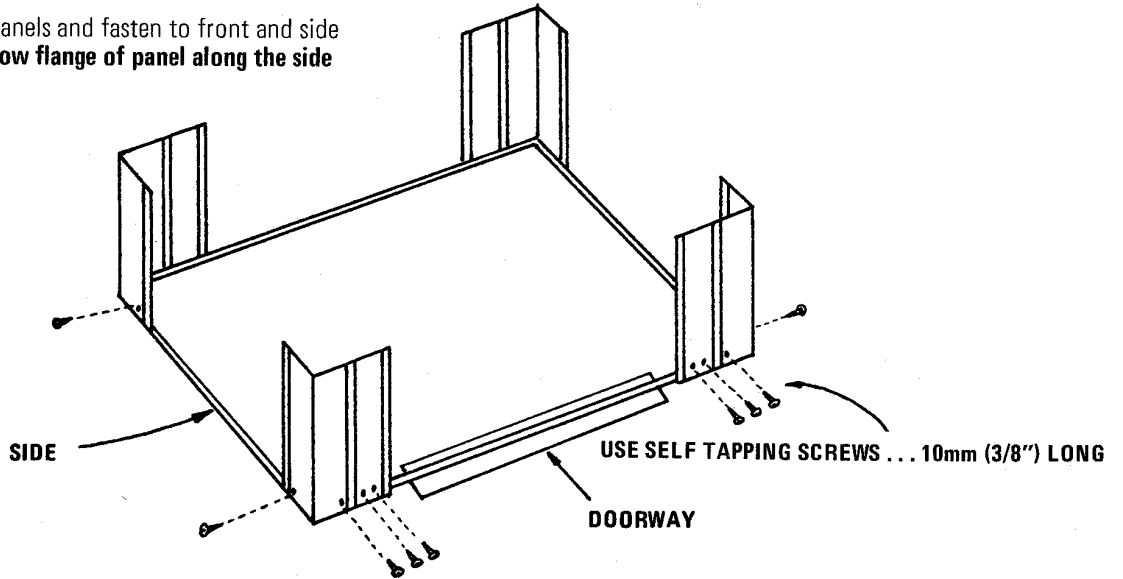
DO NOT ERECT ON A WINDY DAY. THE LARGE WALL AND ROOF PANELS PROVIDE A LARGE SURFACE AND THE WIND COULD EASILY CARRY THEM AWAY. ANY BUILDING LEFT PARTLY CONSTRUCTED MAY BE SERIOUSLY DAMAGED IF LEFT IN THIS STATE.

5

CORNER PANELS

SEE PAGES 3, 4 and 5 FOR PROFILE, CORRECT PART No. AND QUANTITY REQUIRED FOR YOUR BUILDING

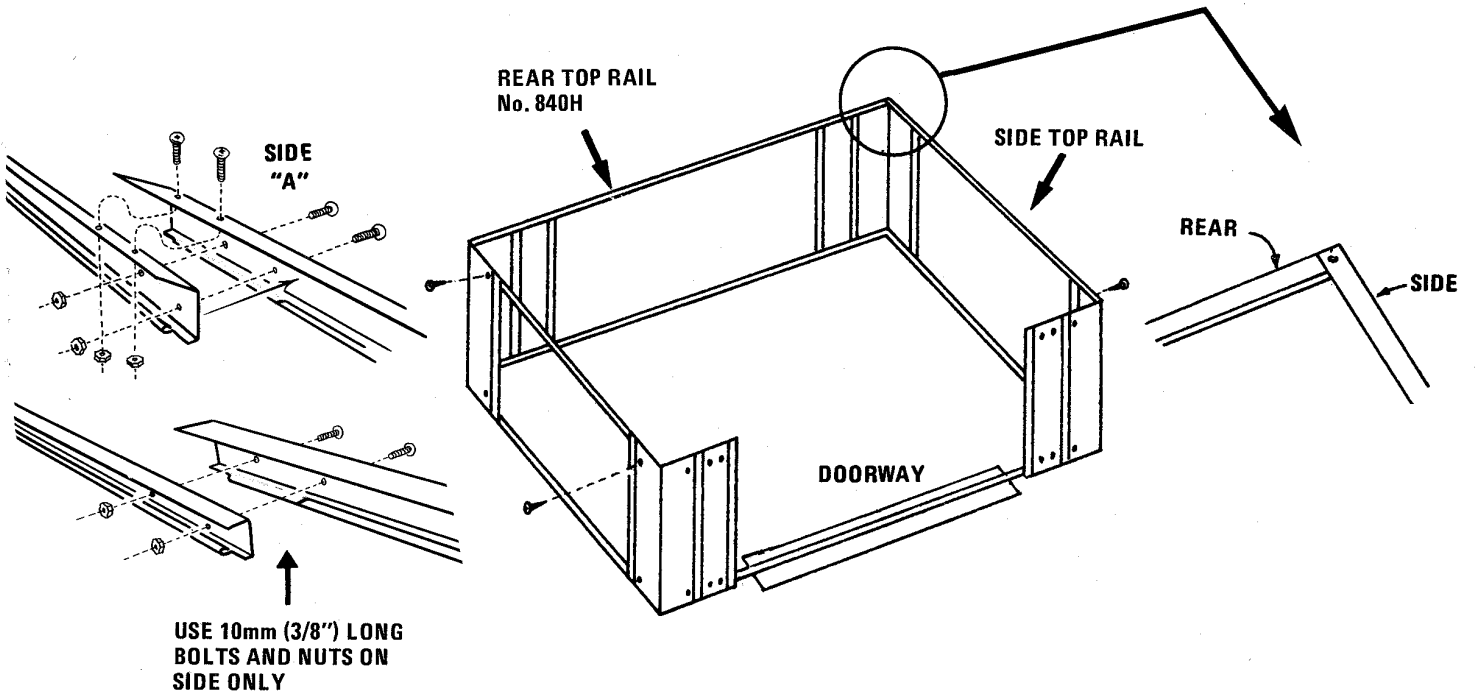
1. Position **rear** corner panels and fasten to rear and side base rails . . . **with narrow flange of panel along the side of the building.**
2. Position **front** corner panels and fasten to front and side base rails . . . **with narrow flange of panel along the side of building.**



6

SIDE AND REAR TOP RAILS

1. Assemble lengths of side top rails (2 pcs.) together with a lap joint . . . see "A". Fasten to top of corner panels. Repeat for other side. **NOTE - for Models 245G154 and 245G185 these parts are in one full length piece.**
2. Repeat above procedure to assemble and fasten lengths of rear top rail No. 840H (2 pcs.) . . . see "B".

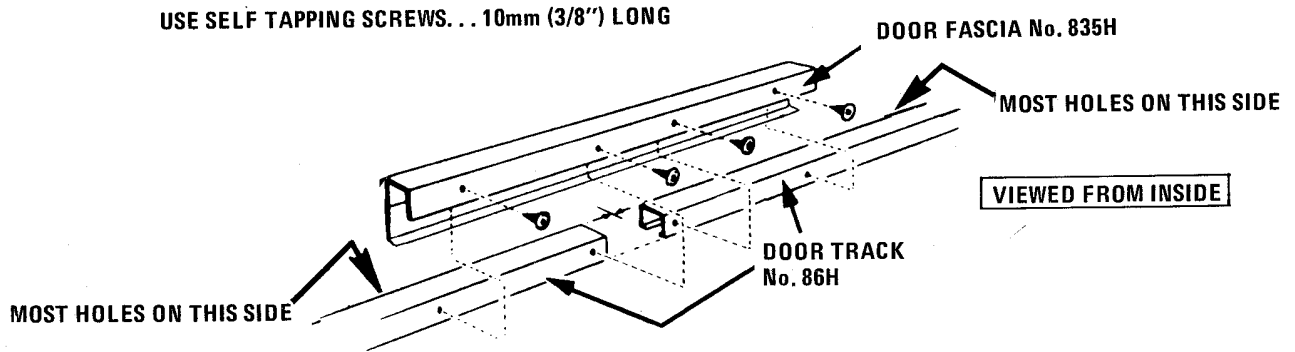


7

SPLICED ASSEMBLY OF DOOR TRACK AND DOOR FASCIA

SEE PAGES 3, 4 and 5 FOR PROFILE, CORRECT PART No. AND QUANTITY REQUIRED FOR YOUR BUILDING.

1. Assemble lengths of Door Track No. 86H (2 pcs.) together with door fascia No. 835H.

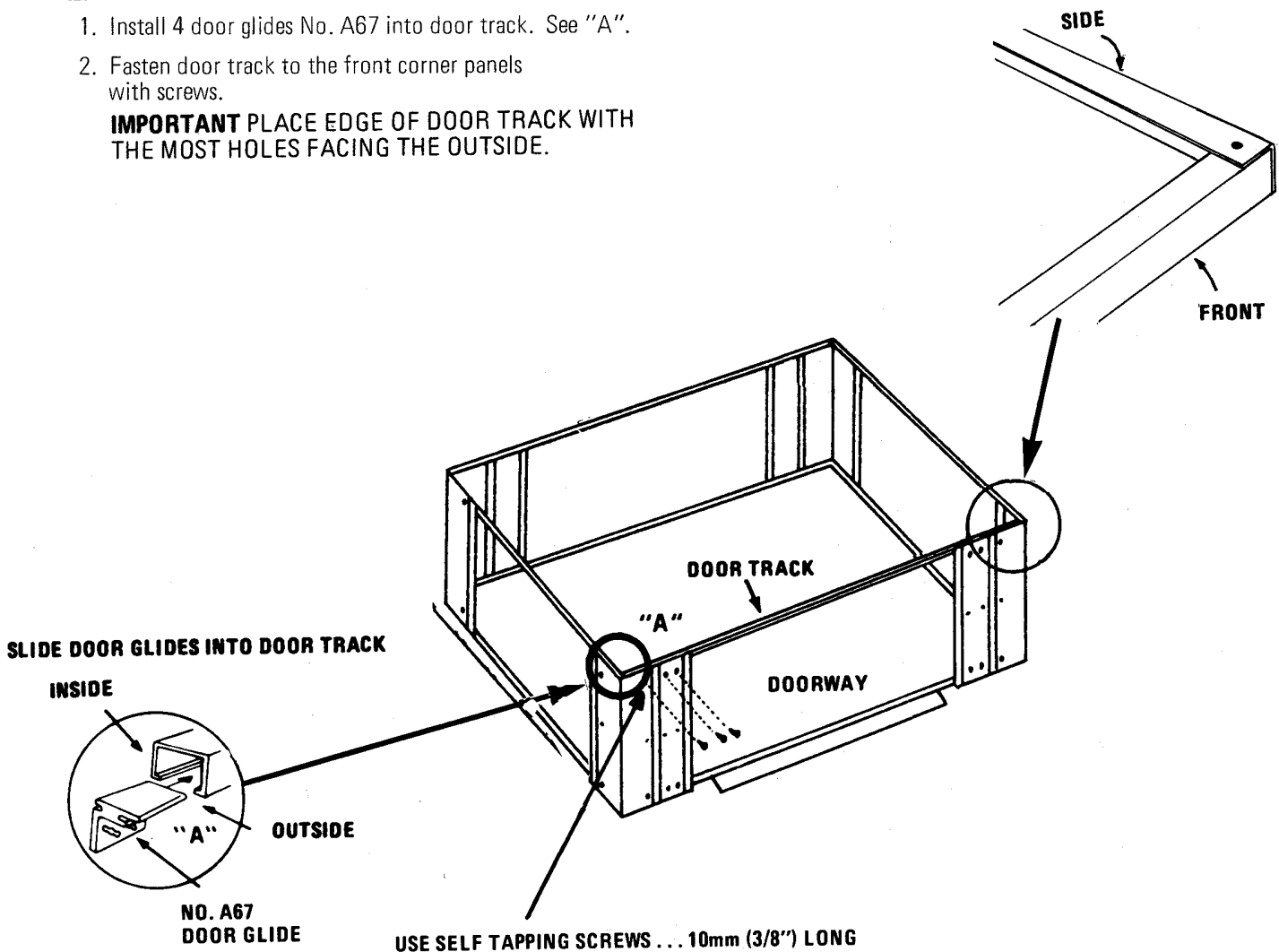


8

DOOR TRACK INSTALLATION

1. Install 4 door glides No. A67 into door track. See "A".
2. Fasten door track to the front corner panels with screws.

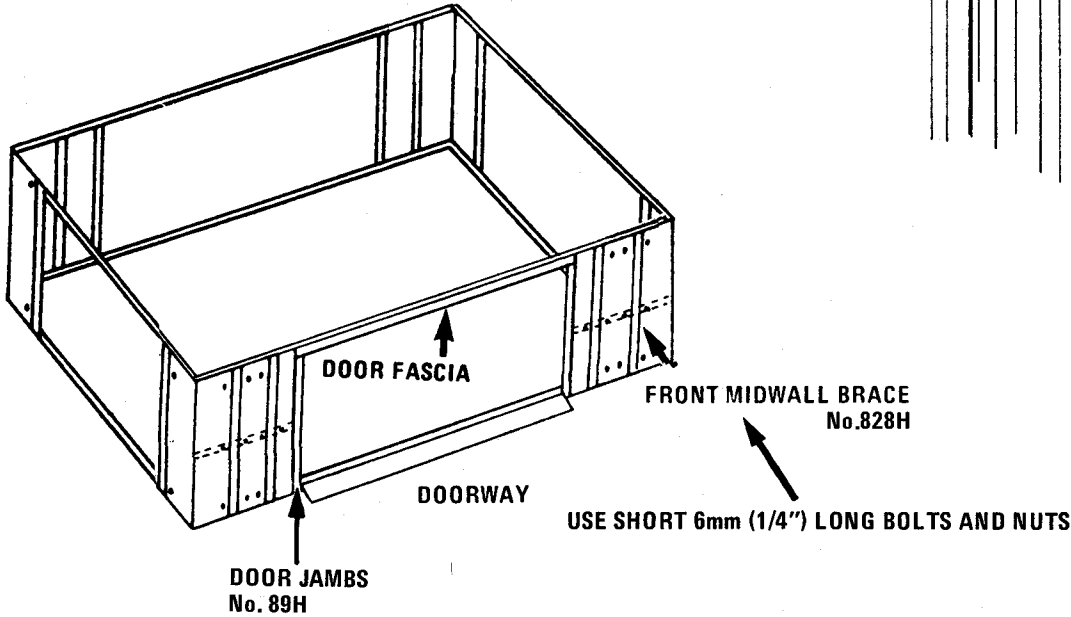
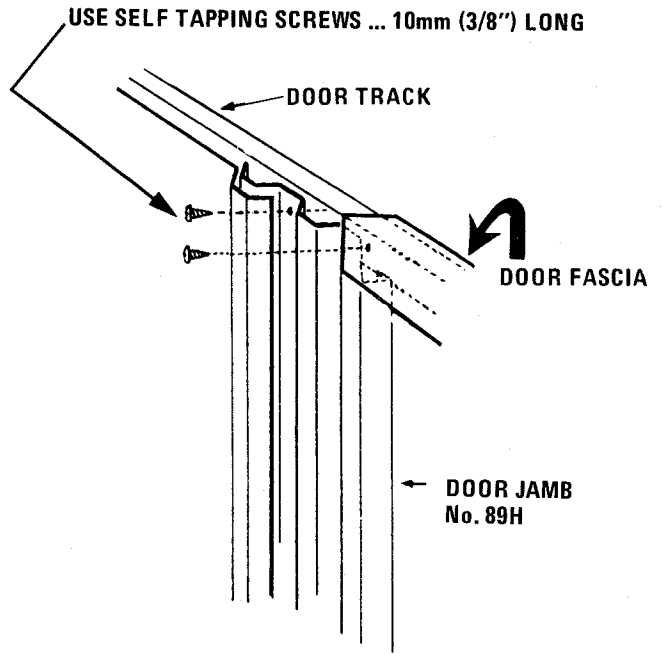
IMPORTANT PLACE EDGE OF DOOR TRACK WITH THE MOST HOLES FACING THE OUTSIDE.



9

DOOR JAMBS, DOOR FASCIA AND FRONT MIDWALL BRACE

1. Remove corner panel screws as necessary and install door jambs No. 89H on each side of entry ramp ... sliding door jamb **under** the wall panel and **under** door fascia. Fasten at base rail through ... then fasten through the door fascia and door jamb into the side of door track. Replace corner panel screws.
2. Fasten door jamb to wall panels at midwall height with 10mm (3/8") bolts and nuts.
3. Install front mid-wall brace No. 828H on each side of doorway. **Use short bolts 6mm (1/4") long.**

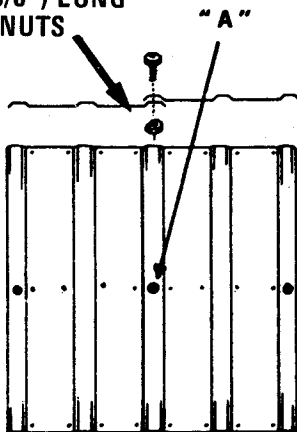


10

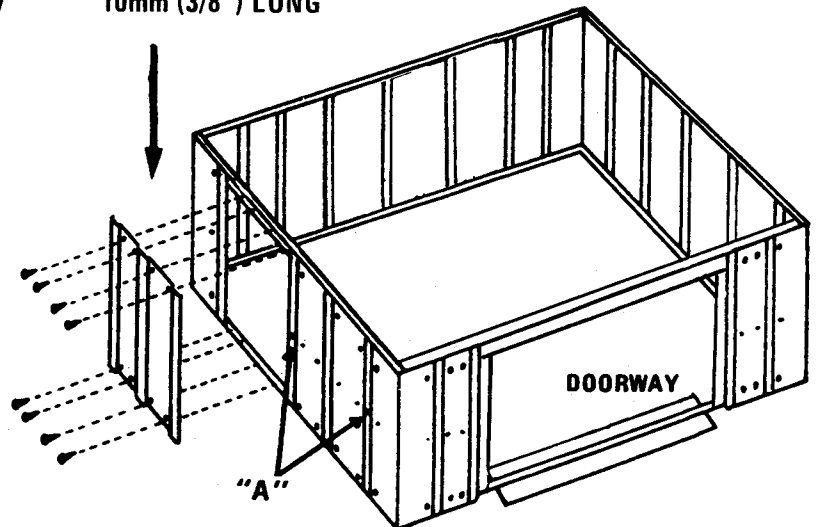
SIDE AND REAR WALL PANELS

1. Install wall panels on each side wall ... fasten to base rails and top rails. **NOTE – Models 245G185 and 245G247 have a smaller half wall panel along the side walls only.**
2. At the midwall height on the overlap ridge joint of each wall panel ... fasten with 10mm (3/8") long bolts and nuts. See "A".
3. Repeat above procedure to install rear wall panels.

USE 10mm (3/8") LONG BOLTS AND NUTS



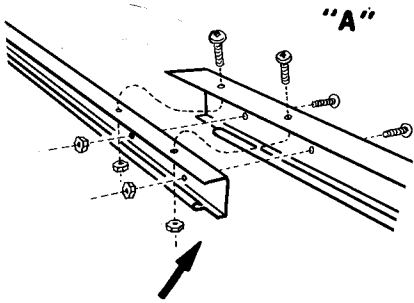
USE SELF TAPPING SCREWS ... 10mm (3/8") LONG



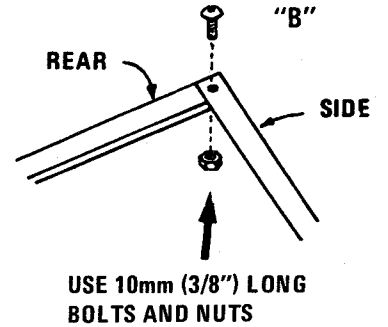
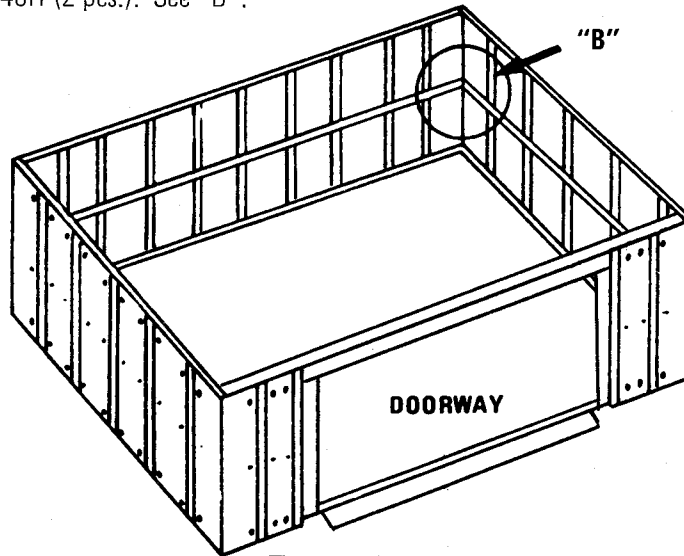
11

SIDE AND REAR MIDWALL BRACES

1. Assemble lengths of side midwall braces (2 pcs.) together with a lap joint. See "A". Fasten midwall brace to wall panels from the outside. Repeat for other side. **NOTE – for Models 245G154 and 245G185 these parts are in one full length piece.**
2. Repeat above procedure to assemble and fasten lengths of rear midwall brace No. 840H (2 pcs.). See "B".



USE 10mm (3/8") LONG BOLTS AND NUTS

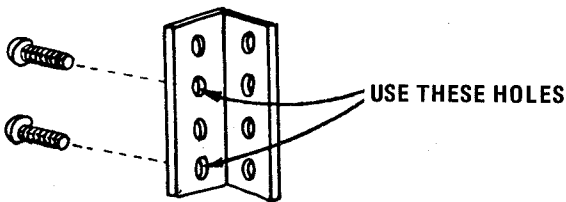


ALL WALL PANELS ARE TO BE ATTACHED TO TOP RAIL, MID-WALL BRACE AND BASE RAIL WITH SCREWS.

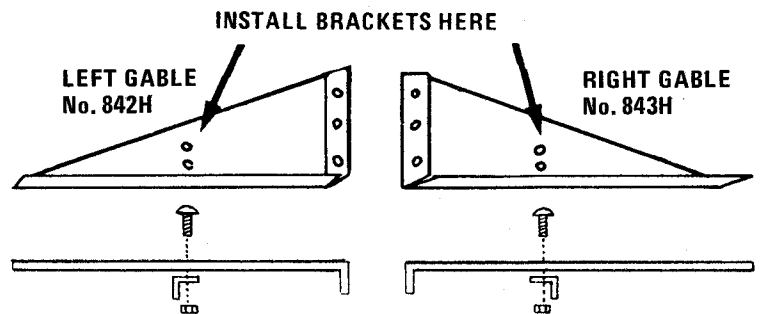
12

FRONT AND REAR GABLES AND SECONDARY RIDGE BEAM BRACKETS

1. Fasten **one** secondary ridge beam bracket on the **inside** of each of the 4 gables.



SECONDARY RIDGE BEAM BRACKET No. C49



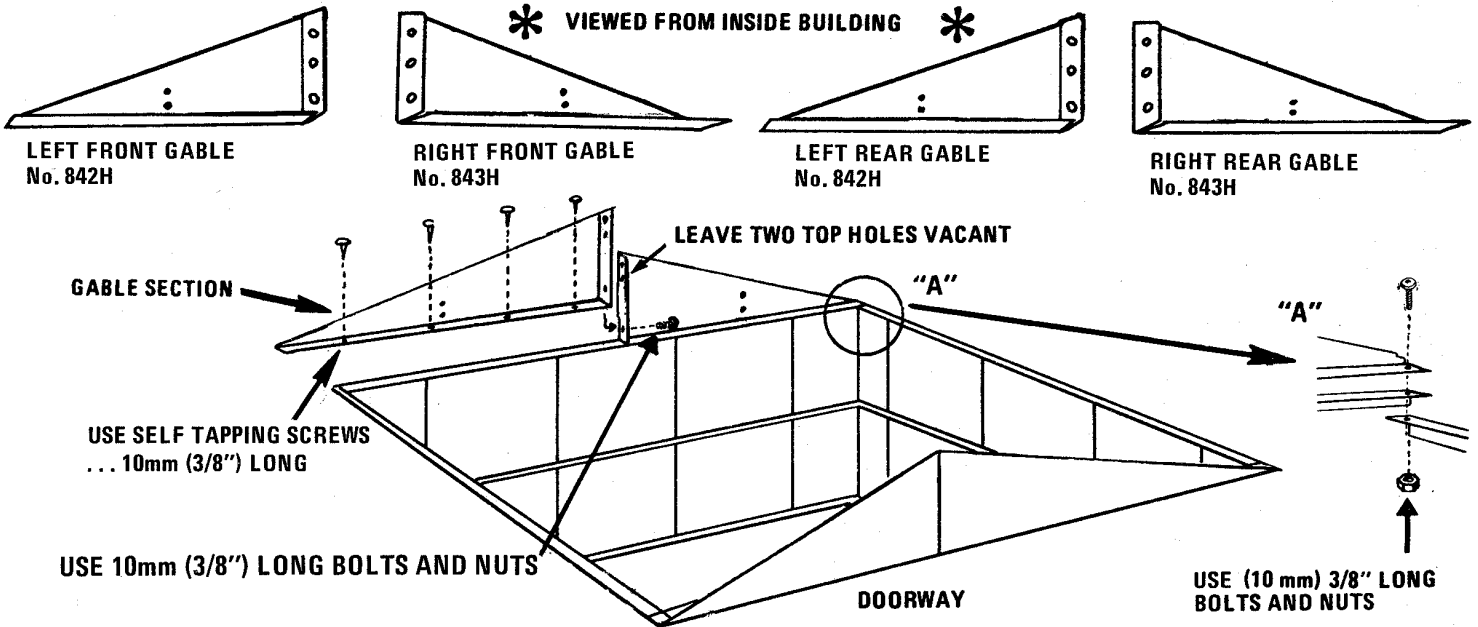
USE 10mm (3/8") LONG BOLTS AND NUTS

13

GABLE INSTALLATION

1. Place right rear gable in position and fasten to rear top rail with screws. See "A".
2. Install left rear gable as above.
3. Fasten right and left gables together . . . leaving two top holes vacant.
4. Repeat above for front set of gables.

USE A STEP LADDER



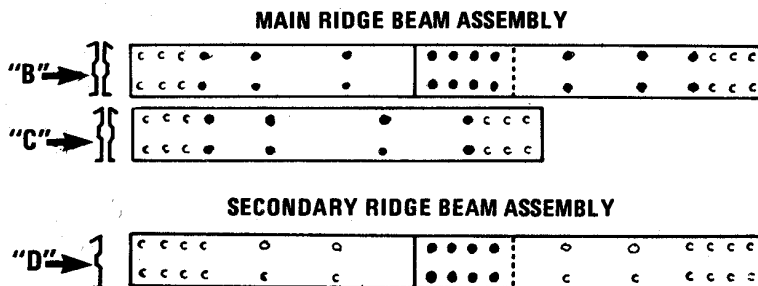
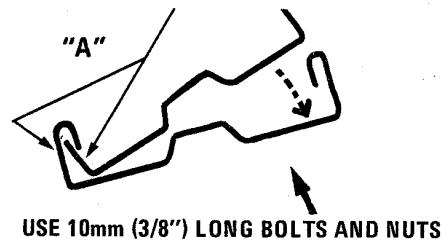
14

MAIN AND SECONDARY RIDGE BEAM ASSEMBLY

1. To combine the **main ridge beam** . . . select two pieces that combine (when lapped) to make the proper length for your building. **NOTE – for Models 245G154 and 245G185 these parts are in one full length piece.**
2. Lay pieces on hard surface. Position one end (with flange cutout --- See "A" and note small holes position) into the second piece (at the end with the full flange --- See "A" and note small holes position). Align holes in beams --- then step on raised edge to snap top beam into place. Tap beams into place to align holes if necessary.
3. Assemble another set in same manner and fasten the two sets together with bolts and nuts as per "B". (for Models 245G154 and 245G185 fasten together as per "C").
4. To make the **secondary ridge beam** ... use the same length combinations to assemble two separate sets ... as per 1, 2 and 3 above. See "B". **NOTE – for Models 245G154 and 245G185 these parts are in one full length piece. NOTE – model 245G216 uses single pieces in combination ... See "D".**

SEE PAGES 3, 4 and 5 FOR PROFILE, CORRECT PART No. AND QUANTITY REQUIRED FOR YOUR BUILDING

NOTE—SMALL HOLES ON BOTH THESE FLANGES.



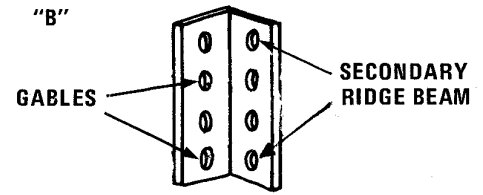
NOTE – USE BOLTS AND NUTS ONLY IN HOLES MARKED WITH BLACK DOT.

15

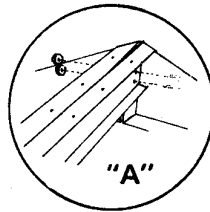
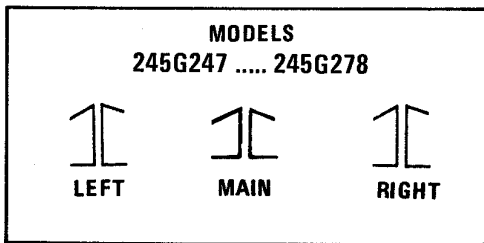
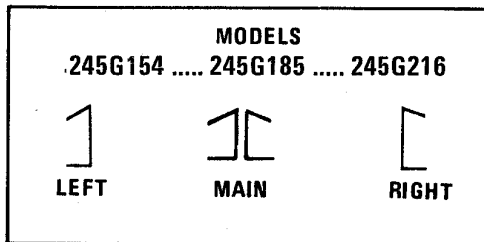
INSTALLATION OF RIDGE BEAMS

1. Position the main ridge beam section of the gables . . . with the extended lips of the gable section fitting between the 2 pieces . . . See "A". Fasten with bolts and nuts.
2. For models 245G154, 245G185 and 245G216 . . . fasten one secondary ridge beam section to the **outside** of the brackets on gables with bolts and nuts. Repeat for other side. See "B".
3. For models 245G247 and 245G278 . . . position the secondary ridge beam section with the extended lip of the bracket fitting **between** the 2 pieces. Repeat for other side. See "B".

SECONDARY RIDGE BEAM BRACKET No. C49 USE THESE HOLES



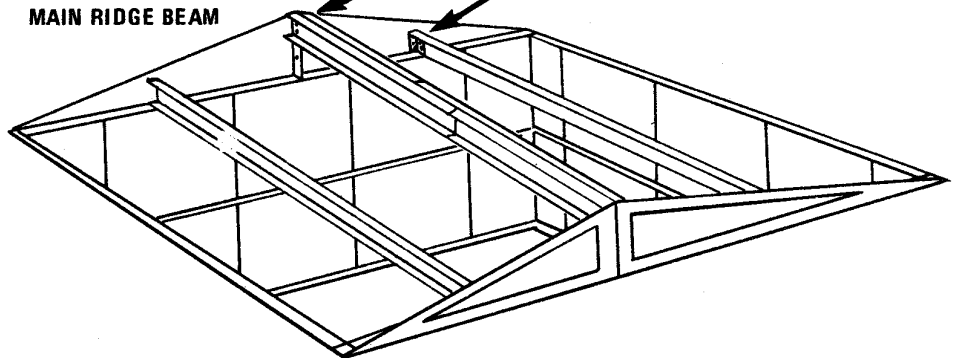
NOTE – HOLES ON TOP LIP OF BEAMS MUST BE ON TOP SURFACE WHEN INSTALLING



MAIN RIDGE BEAM



USE 10mm (3/8") LONG BOLTS AND NUTS



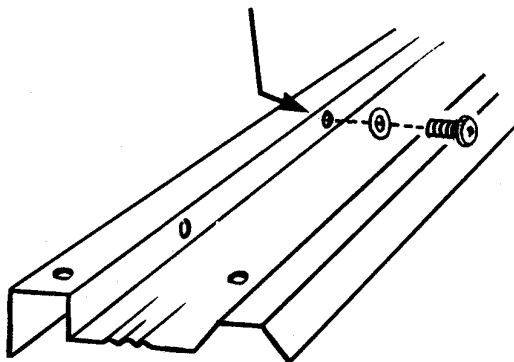
16

ROOF END PANELS

1. Position roof end panel over gable section . . . line up holes and fasten with bolts and washers through the roof end panel and with nuts on the outside of the gable.
2. Then fasten to ridge beam(s) and side top rails with screws and washers.

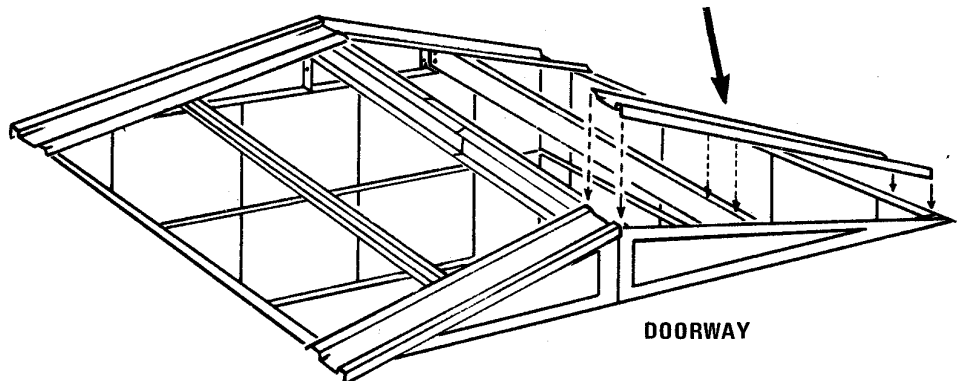


USE 10mm (3/8") LONG BOLTS AND NUTS WITH WASHERS



ROOF END PANEL
No. 818H (left)
No. 844H (right)

USE SELF TAPPING SCREWS . . . 10mm (3/8") LONG WITH WASHERS AT RIDGE BEAMS AND TOP RAILS



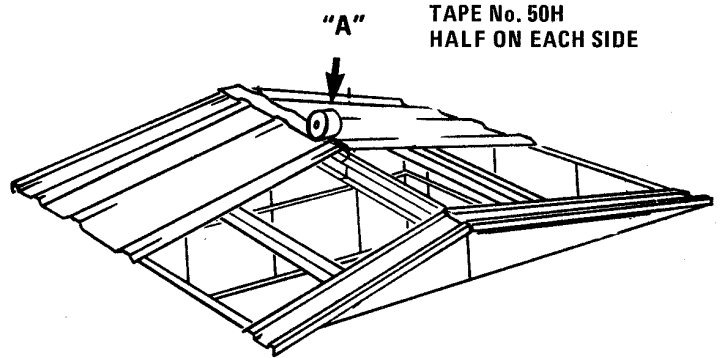
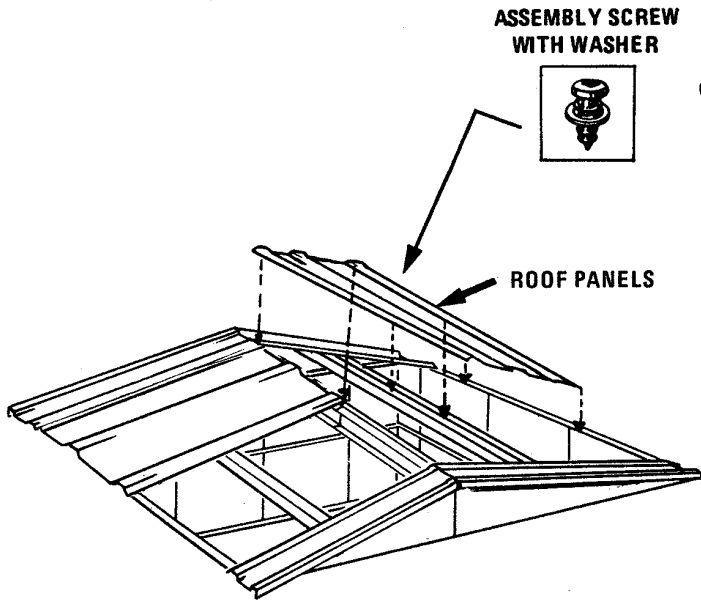
DOORWAY

17

ROOF PANELS AND TAPE

1. Install roof panels by overlapping the adjacent panel. Fasten to ridge beam(s) and top rails with screws and washers. **NOTE – Models 245G185 and 245G247 use a smaller half roof panel on each side at the center.**
2. Start panels at one end and do both sides. Carefully apply tape (as you progress) between the top of the roof panels on each side of the roof. See "A". **This is a weatherseal and must be applied with care with no air gaps.**
NOTE - Be sure surface is clean, dry and dust free and apply only when temperature is between 13°C (55°F) and 21°C (70°F). Be sure all edges on all sides are sealed tightly to surface.

SEE PAGES 3, 4 and 5 FOR PROFILE, CORRECT PART No. AND QUANTITY REQUIRED FOR YOUR BUILDING

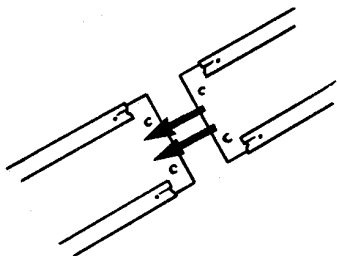


PRESS TAPE DOWN FIRMLY AND DO NOT CUT TAPE UNTIL ROOF IS COMPLETE

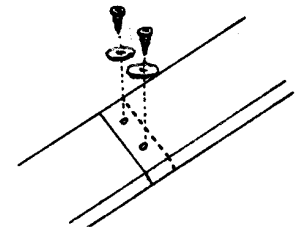
18

RIDGE COVER ASSEMBLY

1. Assemble lengths of ridge cover together by inserting one end inside the other. Fasten with screws and washers **and handle carefully!** **NOTE – for Models 245G154 and 245G185 these parts are in one full length piece.**



TURN UPSIDE DOWN TO ASSEMBLE THEN HANDLE CAREFULLY AFTER ASSEMBLY

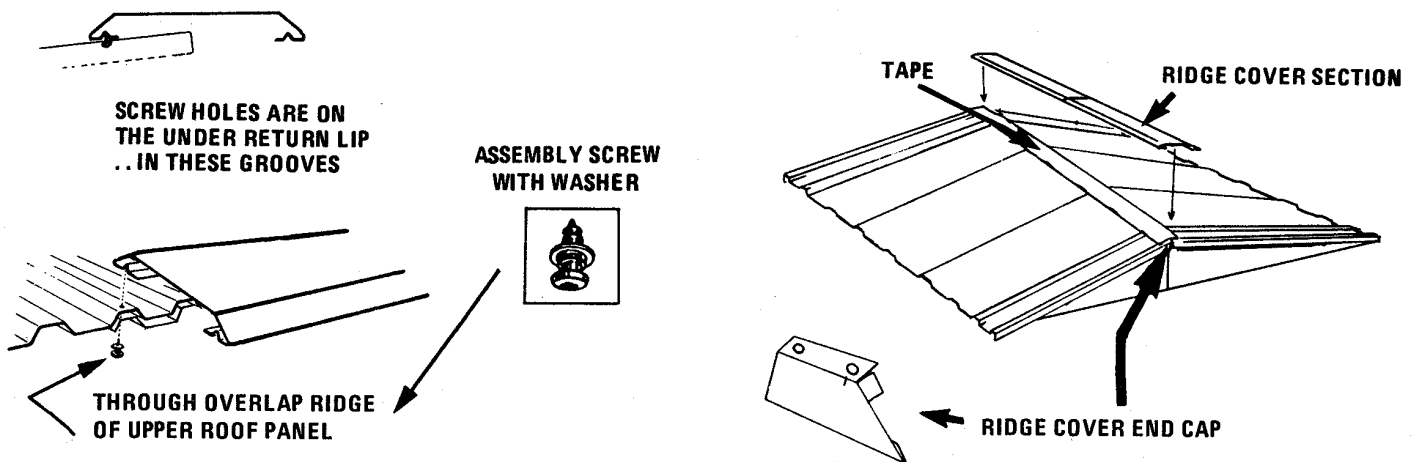


USE SELF TAPPING SCREWS . . . 10mm (3/8") LONG WITH WASHERS

19 RIDGE COVER AND END CAP INSTALLATION

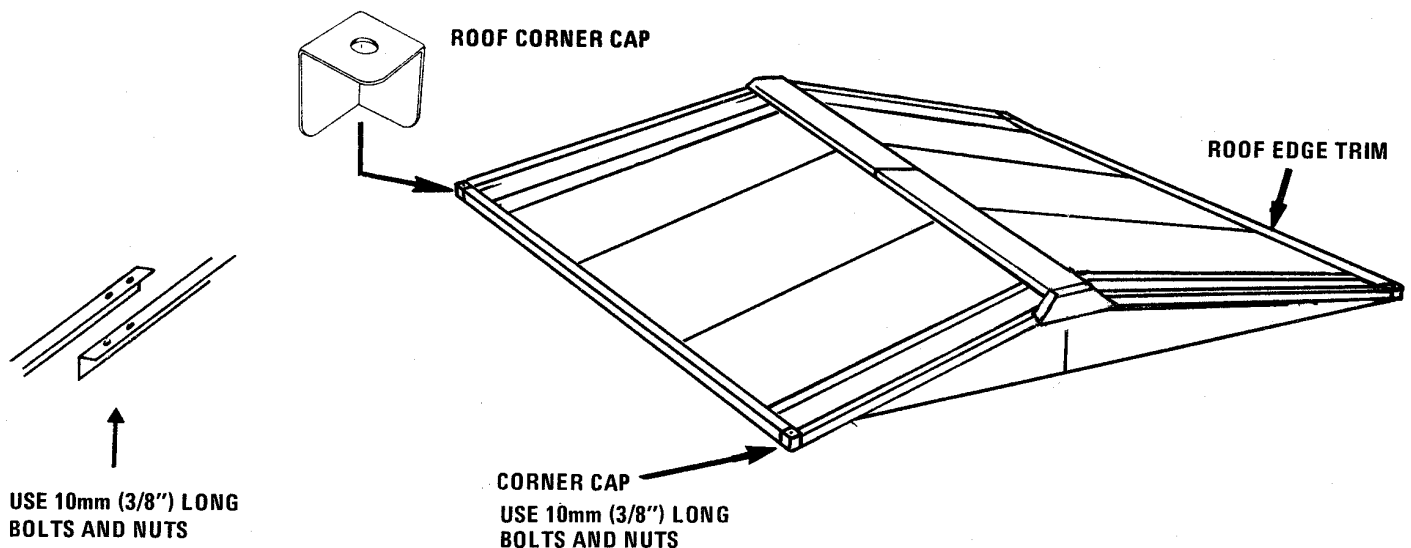
1. **Carefully** position ridge cover section and arrange for a helper outside on a ladder to adjust position and to apply pressure as necessary.
2. From the inside of building start from the gable ends and fasten with screws and washers up through the holes in the overlap ridge of the upper roof panels. The screws go through into the under return lip of the ridge cover.
3. Continue to fasten both sides as you work from the ends to the centre.
4. Clip ridge end caps in place and fasten with screws.

SEE PAGES 3, 4 and 5 FOR PROFILE, CORRECT PART No. AND QUANTITY REQUIRED FOR YOUR BUILDING



20 ROOF EDGE TRIM AND ROOF CORNER CAP

1. Install lengths of roof edge trim (2 pcs.) separately in place over edge of roof panels with a lap joint. Fasten with bolts and nuts. **NOTE – for models 245G154 and 245G185 these parts are in one full length piece.**
2. Fasten corner caps (4) through roof end panels and roof edge trim with bolts and nuts.



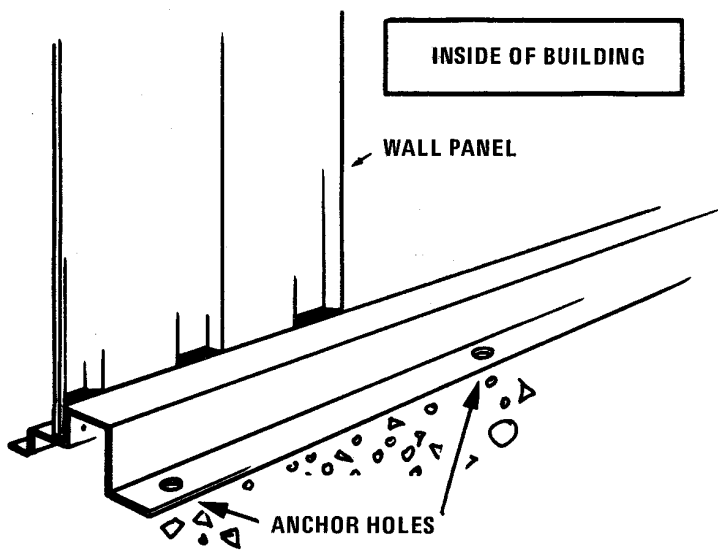
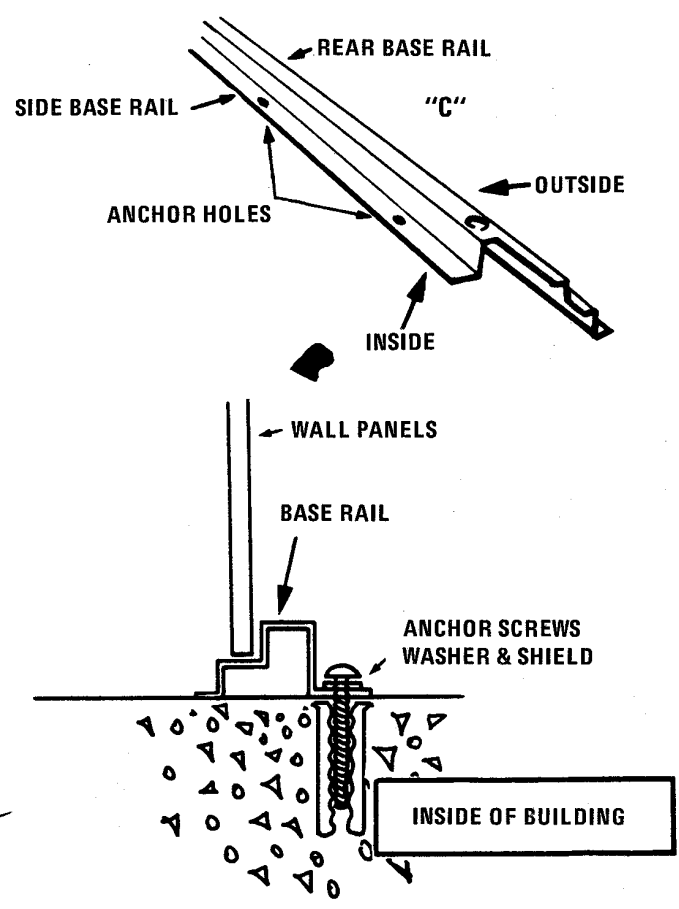
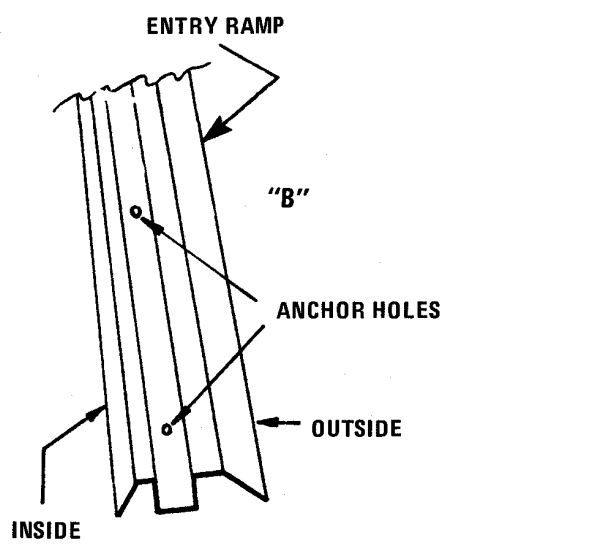
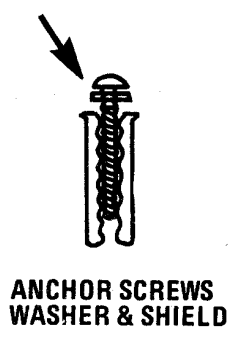
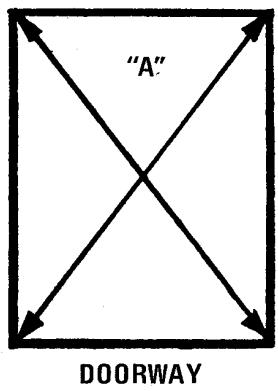
21 COMPLETE THE ANCHORING OF YOUR BUILDING NOW! YOUR BUILDING MUST BE ANCHORED!

1. Check building position on concrete base and adjust to original planned position.
2. Carefully position base frame in the centre of solid base foundation --- to allow at least 100mm (4") of solid base outside the frame.
3. Check base frame for squareness by measuring diagonal corners. Your measurements should be equal! See "A".
4. Inside your base frame . . . there are 6mm (1/4") holes in the entry ramp and on the inside flange of the front, side and rear base rails. **These are anchor holes** . . . for installation of anchor screws into the concrete or patio stones. See "B" and "C".
5. When your base frame is square . . . use a black felt pen to mark location of anchor hole centre on the concrete. **Mark for all anchor holes.**
6. With an electric drill and a Carbide Bit (Check size to suit anchor shield) . . . drill proper holes into concrete at each mark.
7. Insert anchor shields into each hole.
8. Fasten all base rails to concrete with anchor screws.

NOTE: Anchor screws, washers and shields are **NOT** supplied as part of the hardware package and may be purchased at your local store. You will require No. 10 concrete anchor screws 38mm (1 1/2") long with washers and expansion shields **PLUS** a Carbide Bit to suit.

QUANTITY REQUIRED

245G154..... 16	245G185..... 16	245G216..... 16
245G247.....20	245G278.....20	



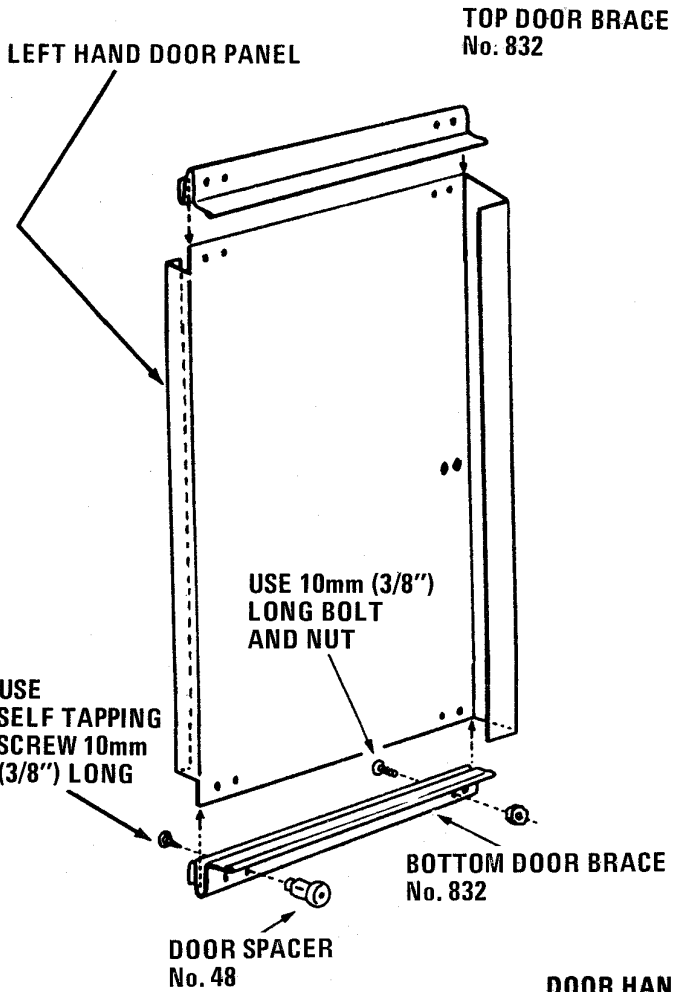
IMPORTANT

This Building is designed to withstand normal wind loads when installed according to instructions. Spacemaker Ltd. cannot be held responsible for any consequences due to buildings that are not installed per instructions or for damage due to any weather conditions or acts of God.

22 DOOR AND HARDWARE ASSEMBLY

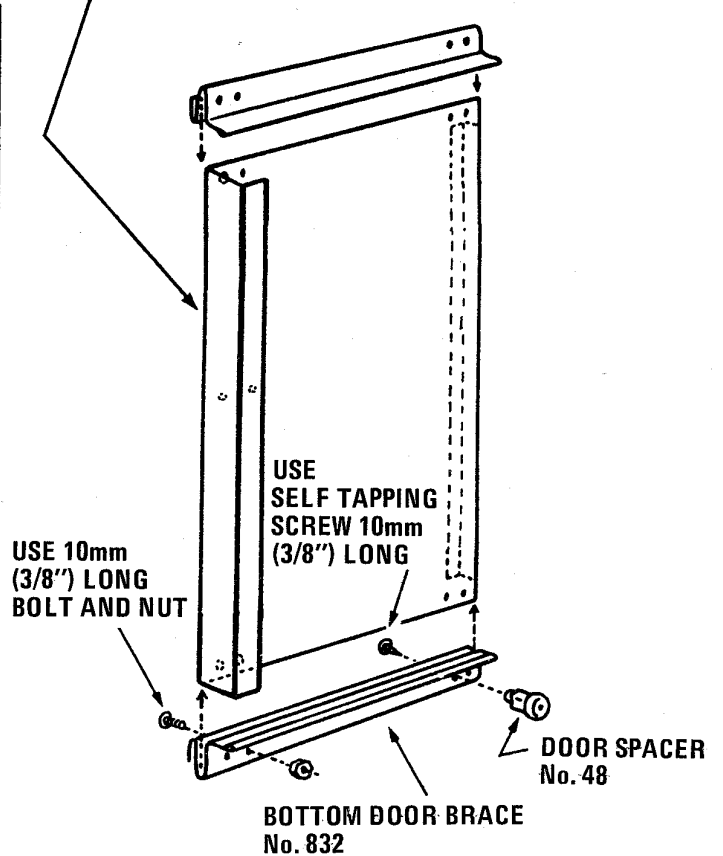
1. Install door braces No. 832 over top and bottom of left door panel . . . **exactly as illustrated below.** Line up holes in brace with holes in door panel.
2. **Fasten bottom brace only** . . . with screw and door spacer on door jamb end and bolt and nut on the other end. Use hole positions exactly as shown below.
3. Repeat for right door panel . . . be sure to position door spacer in correct position.
4. Install door handles. See "A".

*** VIEWED FROM INSIDE BUILDING ***

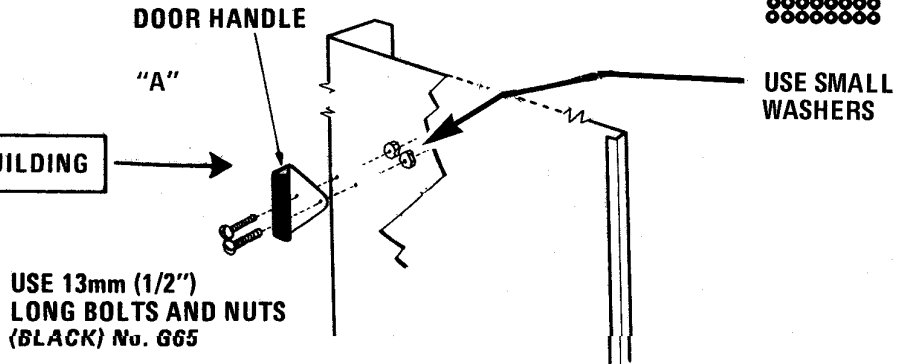


RIGHT HAND DOOR PANEL

TOP DOOR BRACE No. 832

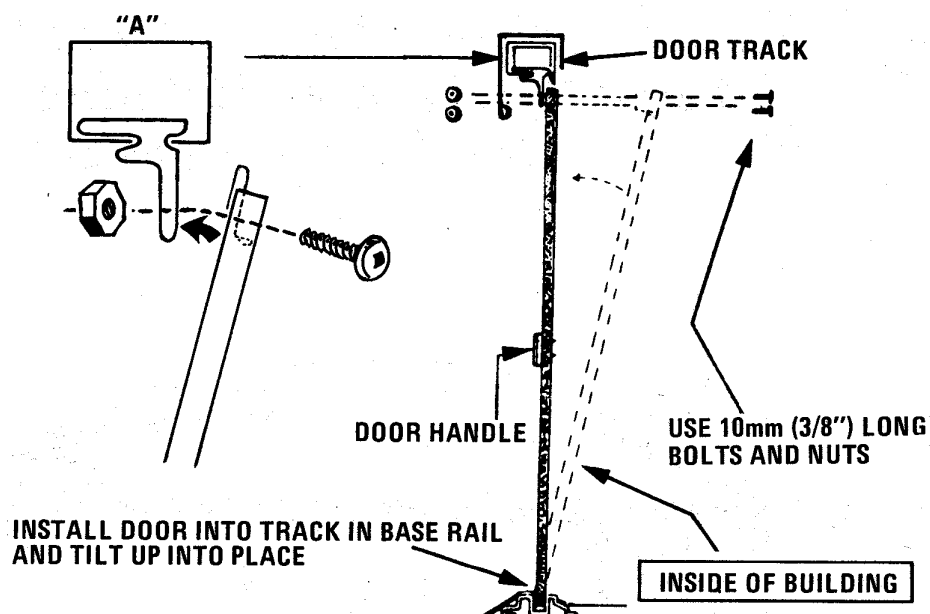


VIEWED FROM OUTSIDE BUILDING



23 DOOR INSTALLATION (FROM INSIDE)

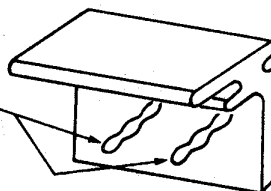
1. Inside and near the corner of building, install bottom lip of left door into track formed in base rail.
2. Position top of door so that holes in door line up with CENTRE holes in door glide. Fasten door glides to door with 10mm (3/8") long bolts and nuts from **THE INSIDE**. See "A"
3. Install right hand door in the same manner.



24 DOOR ADJUSTMENT (FROM INSIDE)

1. Close doors to see if they meet squarely. There are three holes in each of the door glides to raise or lower doors as required for a square fit.

ADJUST BOLT LOCATION IN THESE 3 HOLES FOR SQUARE FIT



25 EMBLEM (IF INCLUDED)

1. Use double sided tape strips included with your building.
2. Remove paper backing from one side of the tape and press onto the back of the emblem in enough locations to provide adequate contact with the gable.
3. Carefully locate your emblem in the desired position on the front gable and mark location.
4. Remove remaining paper backing on the tape and press firmly onto front gable.

IMPORTANT BE SURE THAT ALL BOLTS AND NUTS ARE INSTALLED AND TIGHTENED FOR MAXIMUM STRENGTH OF BUILDING.

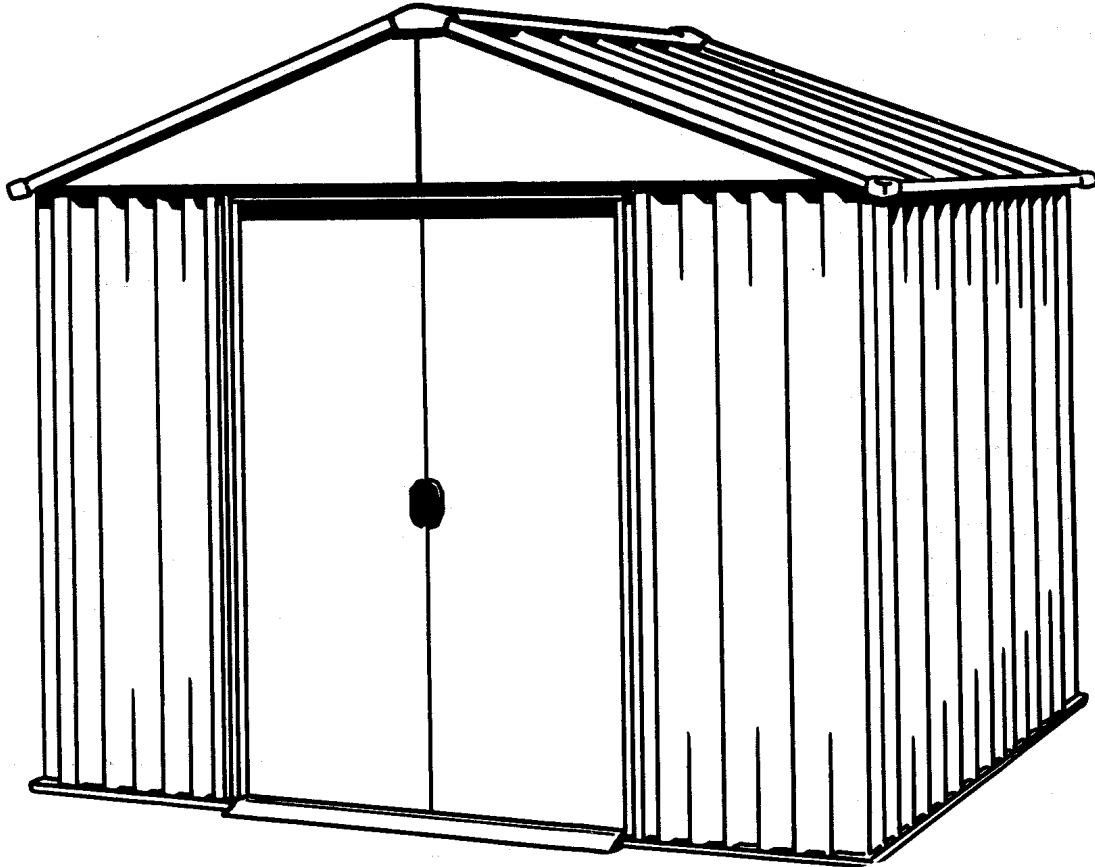
CAUTION TO PREVENT DAMAGE TO THE ROOF OF YOUR BUILDING ... **DO NOT STAND ON ROOF**. DURING THE WINTER **DO NOT** ALLOW MORE THAN 25.4 cm (10") OF SNOW TO ACCUMULATE. UNDER SUCH CONDITIONS OCCUPANCY IS HAZARDOUS AND **MUST BE AVOIDED**. IF THE BUILDING IS NOT ACCESSIBLE DURING WINTER MONTHS, THE ROOF SHOULD BE BRACED FROM THE INSIDE.

HEAVY SNOW: IF YOU EXPECT DEEP ACCUMULATION HAVE 2X4 BRACES AVAILABLE TO PROP UP RIDGE BEAMS UNTIL THE SNOW CAN BE REMOVED FROM THE ROOF.

CARE FREE MAINTENANCE – Your building has been designed to give you years of carefree service. All parts have been precision engineered for perfect fit. It is manufactured from heavily galvanized steel with exterior parts pre-enameled on both sides at the steel mill.

Periodically clean and wax the exterior. This will enhance the appearance and prolong the usefulness of your building for many added years.

***Spacemaker Limited
Canada's Storage Building Leader
for Over a Decade!***



***Other Products Manufactured by Spacemaker Limited
include:***

- ***The Good Neighbour Fence System***
 - ***Privacy Fence Panels***
- ***Shelving Units***
- ***Toboggans***

PRINTED IN CANADA