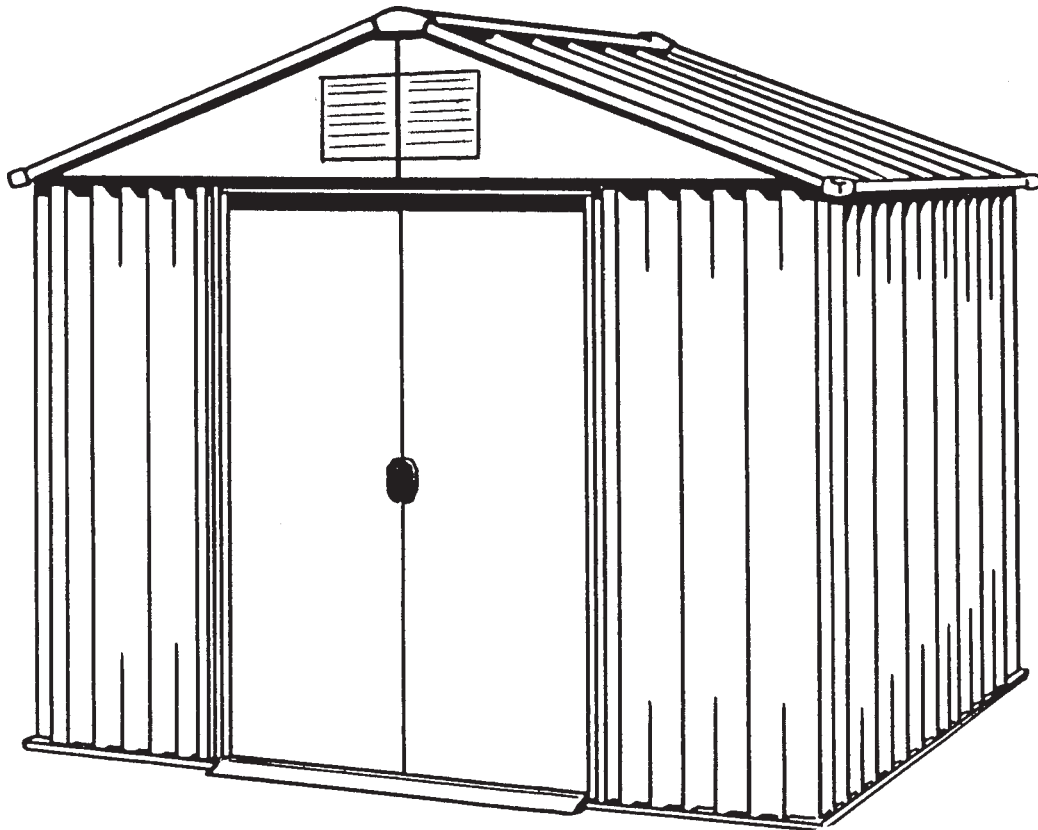


# ASSEMBLY INSTRUCTIONS FOR MODELS HE85, HE86, HE87, HE88, HE89

AU01



100% CANADIAN



**CAUTION:** Some parts have sharp edges. Care must be taken when handling the various pieces to avoid a mishap. For safety sake, please read the safety information provided in this manual before beginning construction. Wear gloves when handling metal parts.

**VERSION FRANÇAISE AU DOS**

# CONTENTS

- Pre-construction instructions
- Assembling the building
- Anchoring the frame
- Parts List and order information

## PROCEED WITH CONFIDENCE

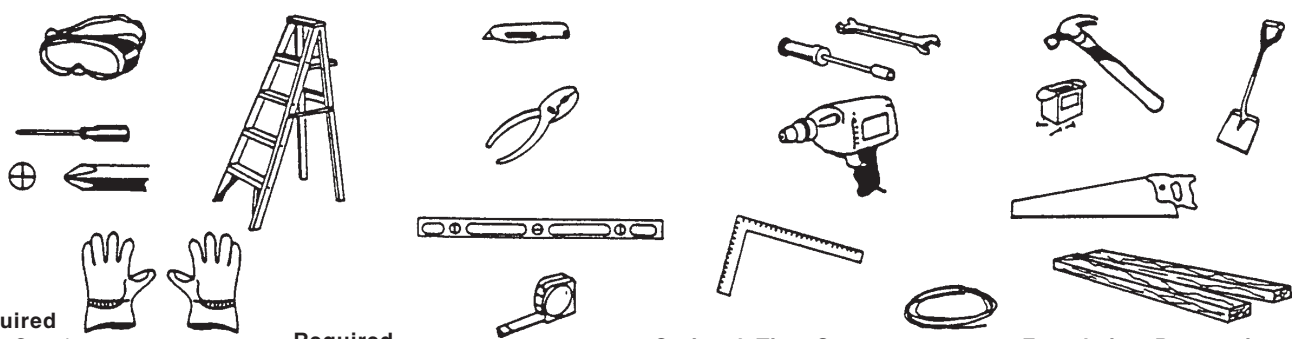
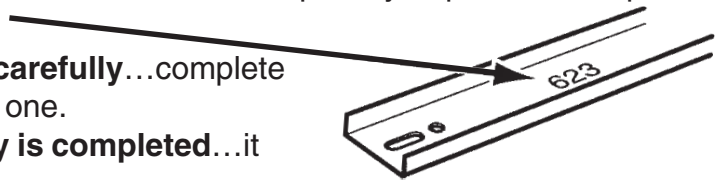
It might look complicated when you first unpack your building...but it really isn't. Simply follow the illustrated instructions and your building will go up quickly and accurately.

## ASSEMBLY INSTRUCTIONS

- **Before beginning construction**...check local building codes regarding footings, location and other requirements. Study and understand the owner's manual.
- **You will need assistance**...you'll find that another person will speed the job and make assembly easier.
- **Selecting your site**...choose an area that's firm and level yet allows drainage away from site.

**WARNING!** ... DO NOT ERECT YOUR BUILDING IN AREAS THAT ARE SUBJECTED TO HIGH WINDS, OR ERECT ON A WINDY DAY. ANY BUILDING LEFT PARTIALLY CONSTRUCTED MAY BE SERIOUSLY DAMAGED IF LEFT IN THIS STATE.

- **Sort and separate all parts and hardware**...checking with the Parts List on Page 4 and the illustrations on Page 5...be sure you have all parts and know where they belong in the building. Each part has been numbered or illustrated, the quantity required and its part number noted.
- **Follow step-by-step instructions carefully**...complete each step before going onto the next one.
- **Retain this manual after assembly is completed**...it contains a complete parts list.



### Required

- Eye Goggles
- No. 2 Phillips Screwdriver (with Hardened Magnetic Tip)
- Work Gloves
- Step Ladders

### Required

- Utility Knife / Scissors
- Pliers
- Carpenter's Level
- Tape Measure

### Optional Time-Savers

- Wrench / Nut Driver
- Electric / Cordless Drill
- Square
- String (for squaring frame)

### Foundation Preparation

- Hammer and Nails
- Spade or Shovel
- Hand Saw / Power Saw
- Lumber and/or Concrete

## BUILDING CARE

- **Carefree maintenance** – Your building has been designed to give you years of carefree service. All parts have been precision engineered for a perfect fit. It is manufactured from heavily galvanized steel with exterior parts pre-enameled on both sides at the steel mill.
- **IMPORTANT** – This building is designed to withstand normal wind loads when installed according to instructions. Manufacturer cannot be held responsible for any consequences due to buildings that are not installed per instructions or for damage due to weather conditions or acts of God.

# IMPORTANT

AU03

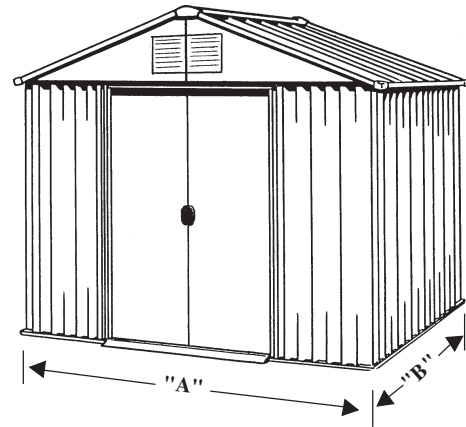
## PERSONAL SAFETY DURING BUILDINGS CONSTRUCTION

Some of the building components may contain sharp edges prior to assembly. Wear protective work gloves while handling these components. Wear eye protection when using any form of power tool. Do not use household voltage power tools in a wet or damp environment. Household voltage power tools must be monitored and controlled by a Ground Fault Interrupter or more commonly called a G.F.I. Do not use any part of the building's frame as a means of personal support while attaching components during assembly.

## PREPARATION OF BUILDING SITE

This building must be constructed on a **SOLID BASE FOUNDATION**. We recommend a poured concrete pad or large size concrete patio stone squares for a suitable floor and base. Which ever you select...*make sure your foundation area is firm and level and will allow drainage away from the site.* Make your solid base foundation at least 4" (100mm) larger than your building. **The manufacturer is not responsible for the choice and the construction of the foundation.**

**NOTE:** For a concrete pad base, prepare a level bed for a firm footing layer of crushed stone. The concrete pad should then be poured to a thickness of 4" (100mm) to 5" (125mm). When completed, allow to dry thoroughly for at least 48 hours.



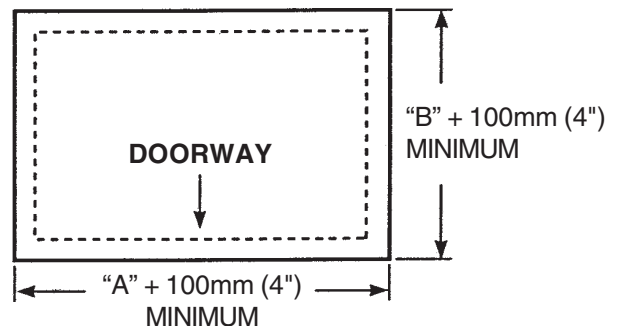
## OUTSIDE MEASUREMENTS OF BUILDING AT BASE

MODEL	"A" CM	"A" INCH	"B" CM	"B" INCH
8x5	235.0	92 1/2	146.1	57 1/2
8x6	235.0	92 1/2	177.2	69 3/4
8x7	235.0	92 1/2	208.3	82
8x8	235.0	92 1/2	239.4	94 1/4
8x9	235.0	92 1/2	270.5	106 1/2

## YOUR BUILDING MUST BE ANCHORED

Your building must be firmly anchored to your concrete pad or large concrete patio stone squares...to help protect against damage in high winds.

FURTHER ANCHORING INSTRUCTIONS FOLLOW AFTER ALL WALL AND ROOF PANELS HAVE BEEN INSTALLED.



# Parts List

AU04

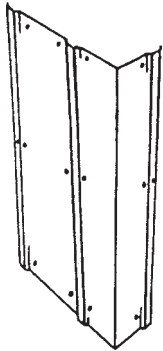
**IMPORTANT...** When ordering parts please provide number stamped on the surface of galvanized parts. In the case of wall and roof panels please provide the model number of the building, color and size of panels.  
To order parts please use order form on the last page.

Part Number	Part Description	Quantity				
		8x5	8x6	8x7	8x8	8x9
84H	Rear Base Rail	2	2	2	2	2
53H	Side Base Rail	2	-	-	2	4
63H	Side Base Rail	-	2	-	-	-
73H	Side Base Rail	-	-	4	2	-
82H	Front Base Rail	2	2	2	2	2
810H	Entry Ramp	1	1	1	1	1
*	Corner Panel	4	4	4	4	4
840H	Rear Top Rail	2	2	2	2	2
527M	Side Top Rail	2	-	-	2	4
627M	Side Top Rail	-	2	-	-	-
727M	Side Top Rail	-	-	4	2	-
86H	Door Track	2	2	2	2	2
835H	Door Fascia	1	1	1	1	1
89G	Door Jamb	2	2	2	2	2
828H	Front Midwall Brace	2	2	2	2	2
*	Wall Panel	6	6	8	8	10
*	Half Wall Panel (Side Only)	-	2	-	2	-
840H	Rear Midwall Brace	2	2	2	2	2
527M	Side Midwall Brace	2	-	-	2	4
627M	Side Midwall Brace	-	2	-	-	-
727M	Side Midwall Brace	-	-	4	2	-
*	Left Gable	2	2	2	2	2
*	Right Gable	2	2	2	2	2
C51	Secondary Ridge Beam Bracket	4	4	4	4	4
516L	Main Ridge Beam	2	-	-	-	-
616L	Main Ridge Beam	-	2	-	-	-
H716H	Main Ridge Beam	-	-	4	2	-
H516H	Main Ridge Beam	-	-	-	2	4
1055	Main Gable Support Brace	2	2	2	2	2
37	Ridge Beam Bracket	4	4	4	4	4
36	Top Wall Bracket	4	4	4	4	4
516L	Secondary Ridge Beam	2	-	-	-	-
616L	Secondary Ridge Beam	-	2	-	-	-
H716H	Secondary Ridge Beam	-	-	4	4	-
H516H	Secondary Ridge Beam	-	-	-	4	8
818HH	Left Roof End Panel	2	2	2	2	2
844HH	Right Roof End Panel	2	2	2	2	2
*	Roof Panel	4	4	6	6	8
*	Half Roof Panel	-	2	-	2	-
520H	Ridge Cover	1	-	-	-	1
620H	Ridge Cover	-	1	-	-	-
720H	Ridge Cover	-	-	2	-	-
820H	Ridge Cover	-	-	-	2	-
920H	Ridge Cover	-	-	-	-	1
13-100	Vent	2	2	2	2	2
541H	Roof Edge Trim	2	-	-	2	4
641H	Roof Edge Trim	-	2	-	-	-
741H	Roof Edge Trim	-	-	4	2	-
*	Door Panel	2	2	2	2	2
DIS03	Door Strengthenner	4	4	4	4	4
823	Horizontal Door Brace	2	2	2	2	2
832	Top & Bottom Door Brace	4	4	4	4	4
*	Weatherseal Tape	1	1	1	1	1
49H	Ridge Cover End Cap	2	2	2	2	2
*	Door Handle	2	2	2	2	2
*	Plastic Washer Tree	2	2	2	3	3
	Owner's Manual	1	1	1	1	1
	Hardware Kit Contains (Bolts, Nuts and Screws)					
*	Roof Corner Cap	4	4	4	4	4
*	Door Spacer	2	2	2	2	2
A67	Door Glide	4	4	4	4	4

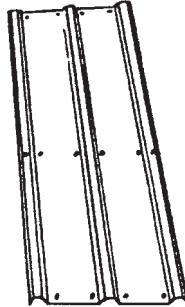
\* Indicates that part number is NOT stamped in the part see illustrations.  
Painted parts may contain a prefix/suffix that designates color / material.

# Parts Not Identified with Part Number

AU05



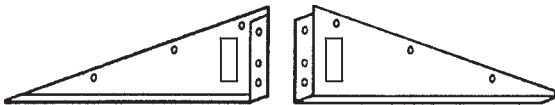
CORNER PANEL



WALL PANEL

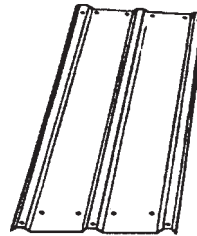


HALF WALL PANEL

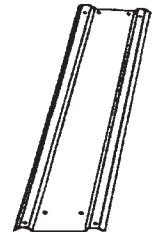


LEFT GABLE

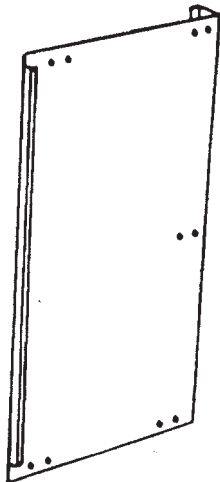
RIGHT GABLE



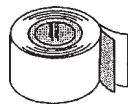
ROOF PANEL



HALF ROOF PANEL



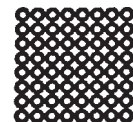
DOOR PANEL



WEATHERSEAL TAPE



DOOR HANDLE



PLASTIC WASHER TREE

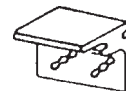
## ITEMS in the HARDWARE BAG



ROOF CORNER  
CAP



DOOR SPACER



DOOR GLIDE  
A67

**STEP**  
**1**

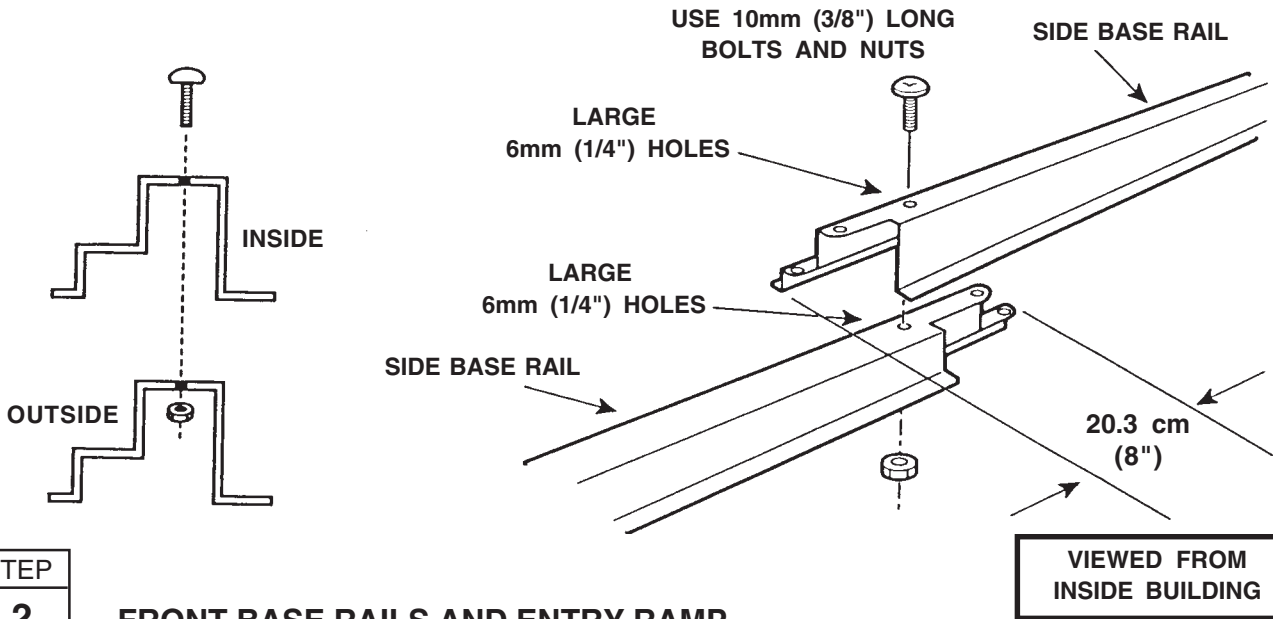
**SIDE AND REAR BASE RAILS**

1. Assemble lengths of side base rails (2 pcs.) together with a lap joint. Align large holes. Repeat for other side.

**NOTE - for product sizes 8x5 and 8x6 these parts are in one full length piece.**

2. Repeat above procedure to assemble lengths of rear base rails No. 84H (2 pcs.).

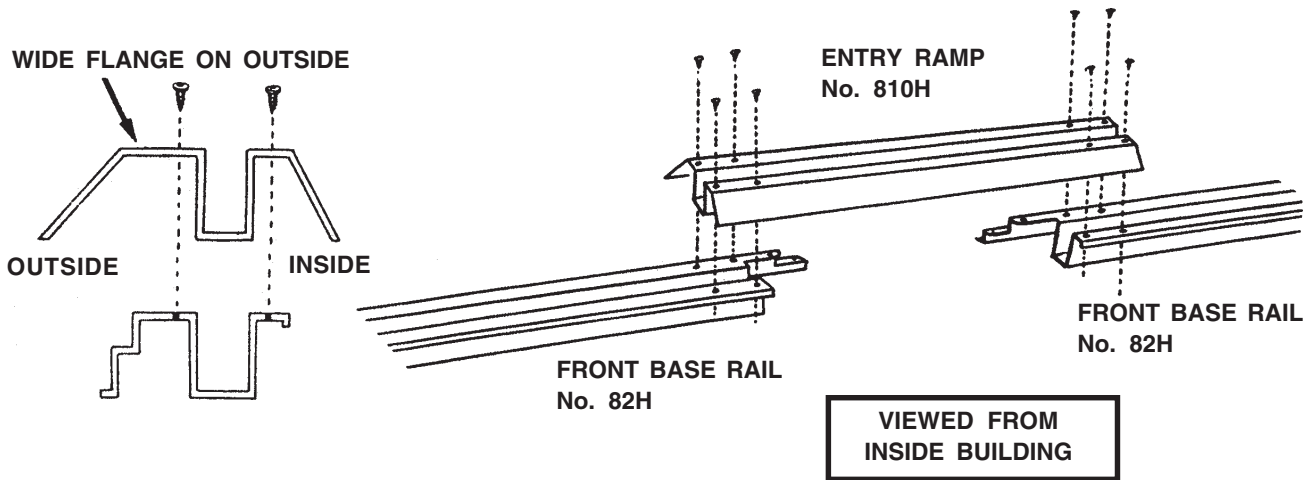
**See Pages 4 and 5 for profile, correct part number and quantity required for your building.**



**STEP**  
**2**

**FRONT BASE RAILS AND ENTRY RAMP**

1. Space out lengths of front base rails No. 82H (2 pcs.) and fasten entry ramp No. 810H between lengths.



USE SELF TAPPING SCREWS..10mm (3/8") LONG

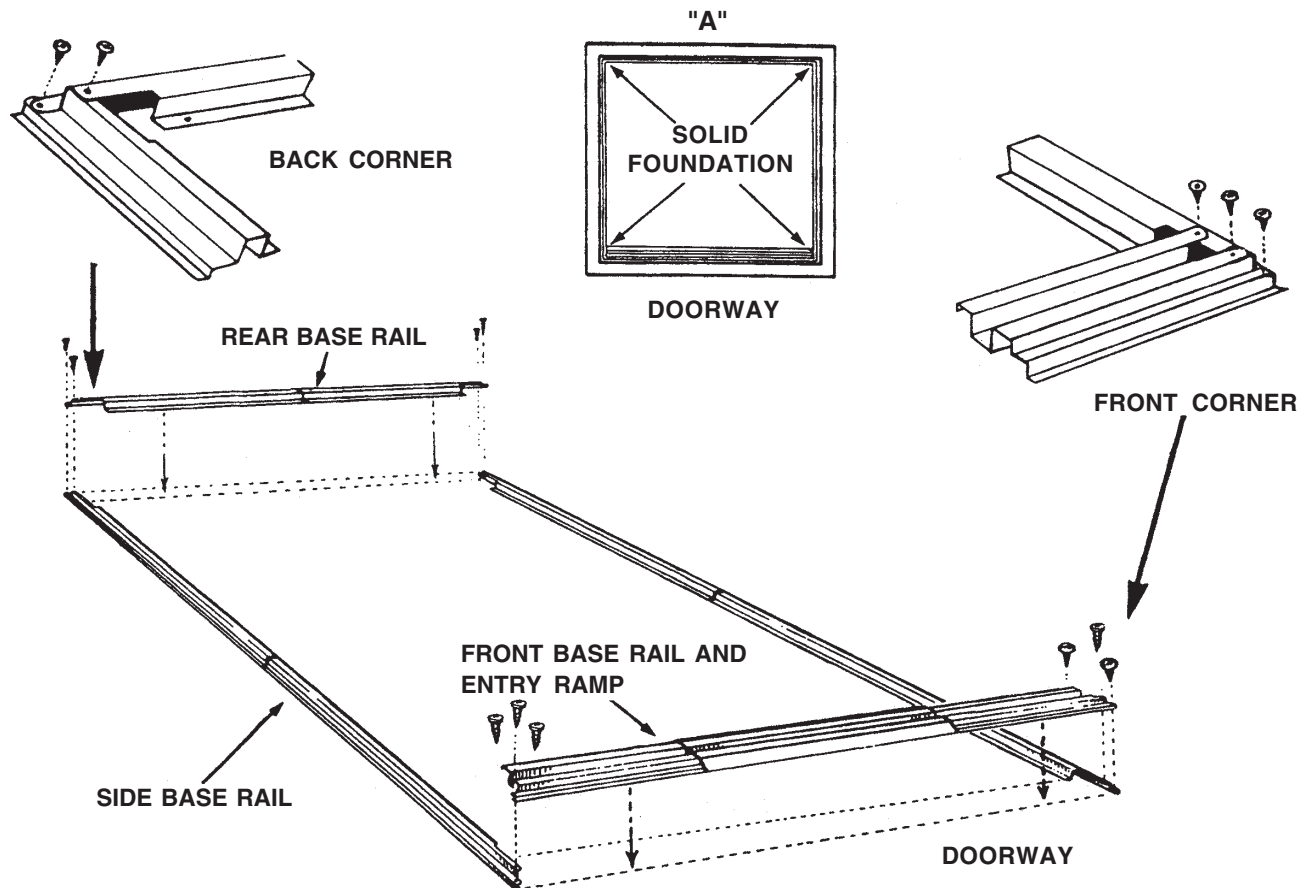
STEP

**3****BASE FRAME ASSEMBLY**

1. Assemble all 4 base rails into a base frame in proper position on your foundation. Use 10mm (3/8") self tapping screws on front and on back corners.
2. Check base frame for squareness by measuring diagonal corners. Your measurements should be equal. See "A"

\* AFTER ASSEMBLY CHECK BASE DIMENSIONS (SEE PAGE 3) TO VERIFY CORRECT POSITION OF RAILS.

USE SELF TAPPING SCREWS...10mm (3/8") LONG



\* AFTER ASSEMBLY CHECK BASE DIMENSIONS (SEE PAGE 3) TO VERIFY CORRECT POSITION OF RAILS.

**WARNING!**

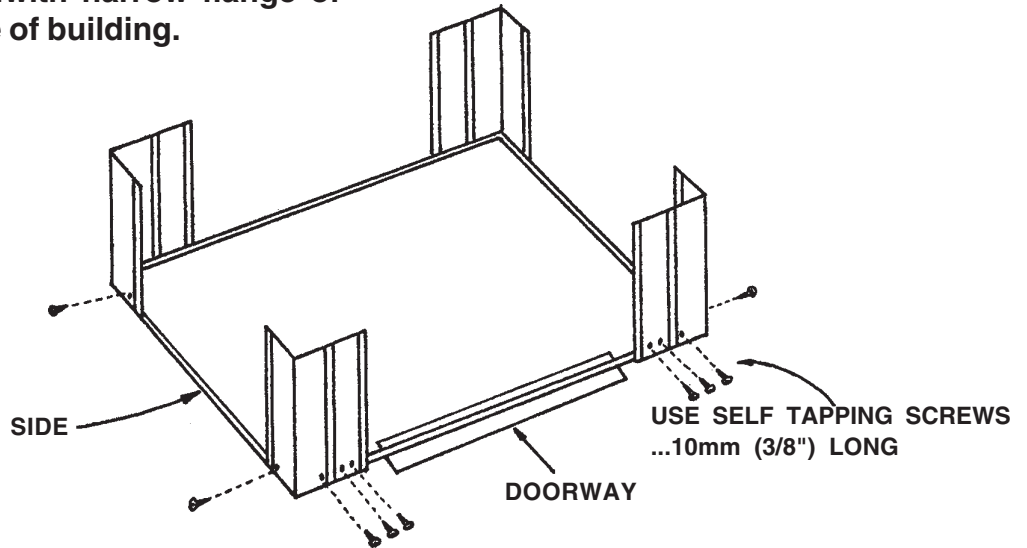
DO NOT ERECT ON A WINDY DAY. THE LARGE WALL AND ROOF PANELS PROVIDE A LARGE SURFACE AND THE WIND COULD EASILY CARRY THEM AWAY. ANY BUILDING LEFT PARTLY CONSTRUCTED MAY BE SERIOUSLY DAMAGED IF LEFT IN THIS STATE.

STEP  
**4**

**CORNER PANELS**

1. Position **rear** corner panels and fasten to rear and side base rails...**with narrow flange of panel along the side of the building.**
2. Position **front** corner panels and fasten to front and side base rails...**with narrow flange of panel along the side of building.**

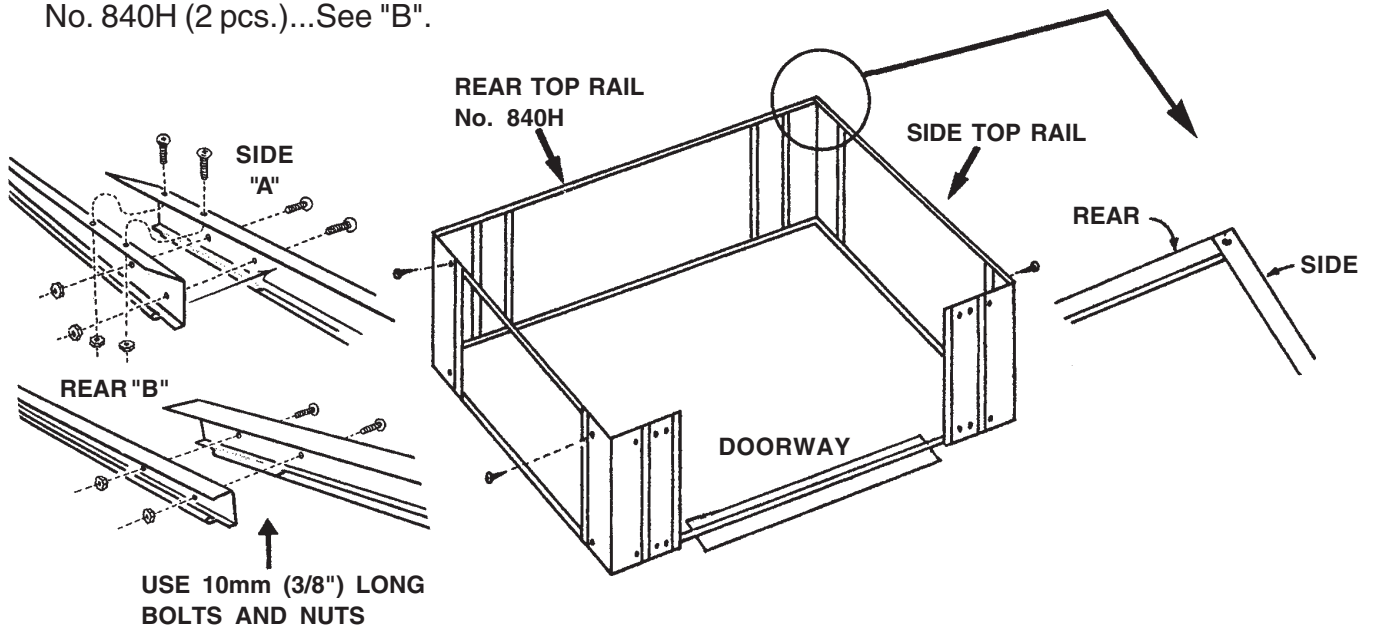
**See Pages 4 and 5 for profile, correct part number and quantity required for your building.**



STEP  
**5**

**SIDE AND REAR TOP RAILS**

1. Assemble lengths of side top rails (2 pcs.) together with a lap joint...see "A". Fasten to top of corner panels. Repeat for other side. **NOTE - for sizes 8x5 and 8x6 these parts are in one full length piece.**
2. Repeat above procedure to assemble and fasten lengths of rear top rail No. 840H (2 pcs.)...See "B".





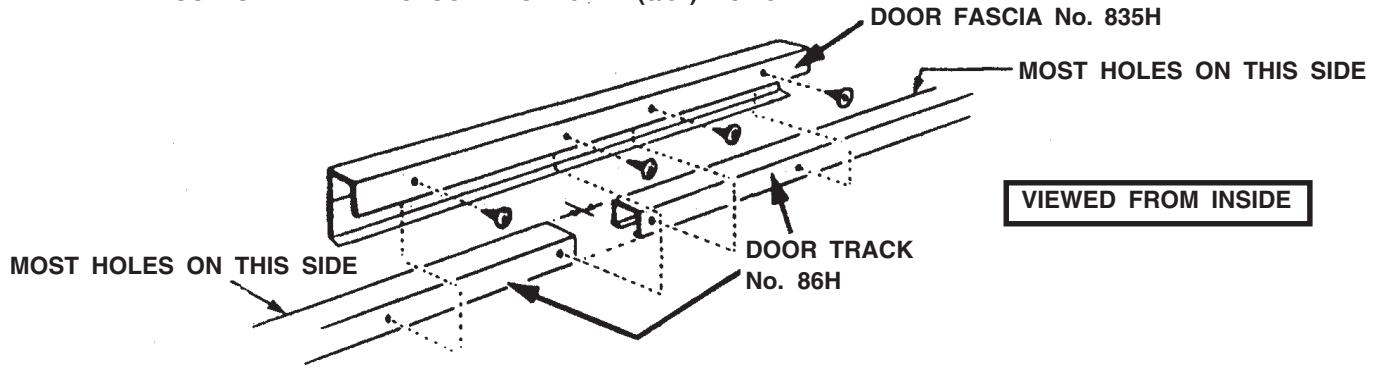
STEP  
**6**

**SPliced ASSEMBLY OF DOOR TRACK AND DOOR FASCIA**

1. Assemble lengths of door track No. 86H (2 pcs.) together with door fascia No. 835H.

**See Pages 4 and 5 for profile, correct part number and quantity required for your building.**

USE SELF TAPPING SCREWS...10mm (3/8") LONG

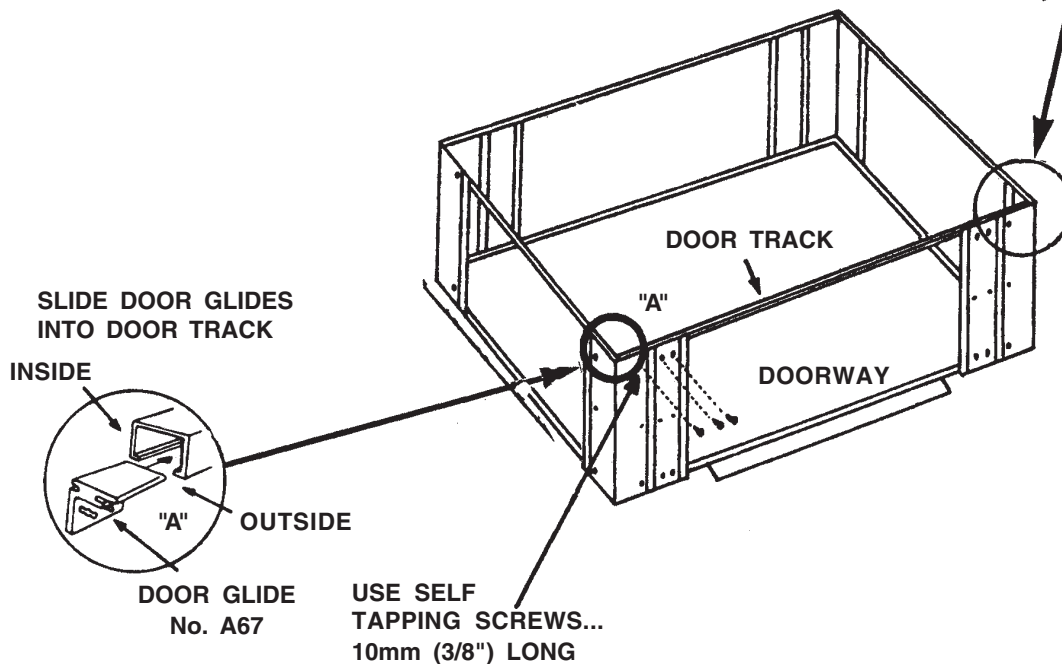
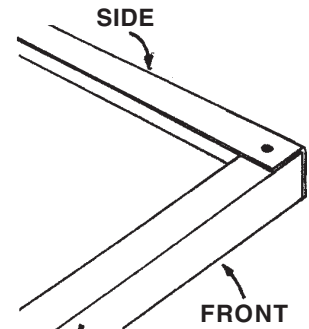


STEP  
**7**

**DOOR TRACK INSTALLATION**

1. Install 4 door glides No. A67 into door track. See "A".
2. Fasten door track to the front corner panels with screws.

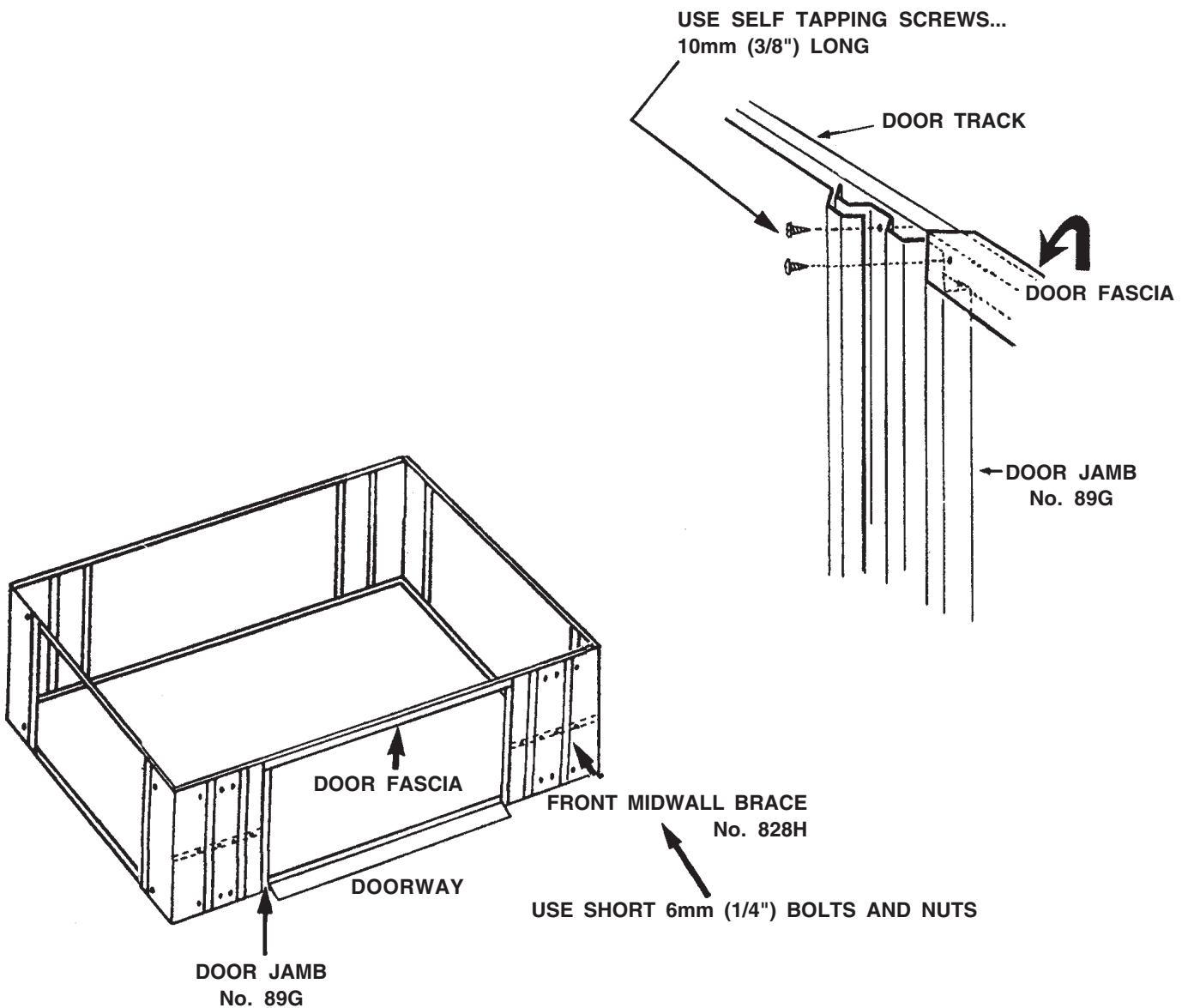
**IMPORTANT: PLACE EDGE OF DOOR TRACK WITH THE MOST HOLES FACING THE OUTSIDE.**



STEP

**8****DOOR JAMBS, DOOR FASCIA AND FRONT MIDWALL BRACE**

1. Remove corner panel screws as necessary and install door jambs No. 89G on each side of entry ramp...sliding door jamb **under** the wall panel and **under** door fascia. Fasten at base rail --- then fasten through the door fascia and door jamb into the side of door track. Replace corner panel screws.
2. Fasten door jamb to wall panels at midwall height with 10mm (3/8") bolts and nuts.
3. Install front midwall brace No.828H on each side of doorway.  
**Use short bolts 6mm (1/4").**



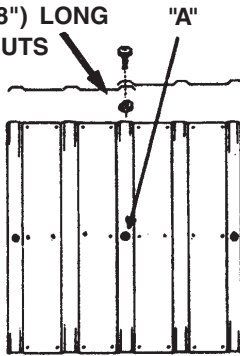
STEP

9

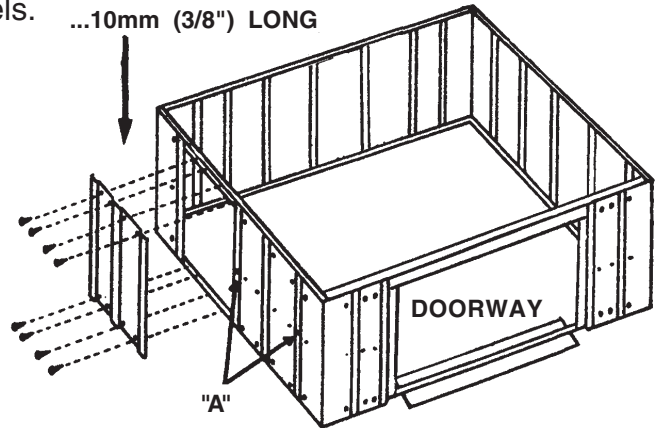
## SIDE AND REAR WALL PANELS

1. Install wall panels on each side wall...fasten to base rails and top rails. **NOTE - Sizes 8x6 and 8x8 use a smaller half wall panel along the side walls only.**
2. At the midwall height on the overlap ridge joint of each wall panel...fasten with 10mm (3/8") long bolts and nuts. See "A"
3. Repeat above procedure to install rear wall panels.

USE 10mm (3/8") LONG  
BOLTS AND NUTS



USE SELF TAPPING SCREWS  
...10mm (3/8") LONG

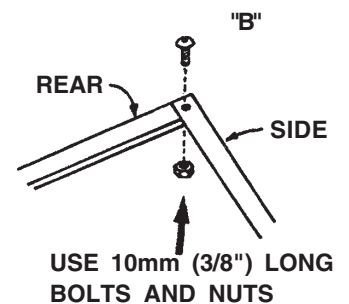
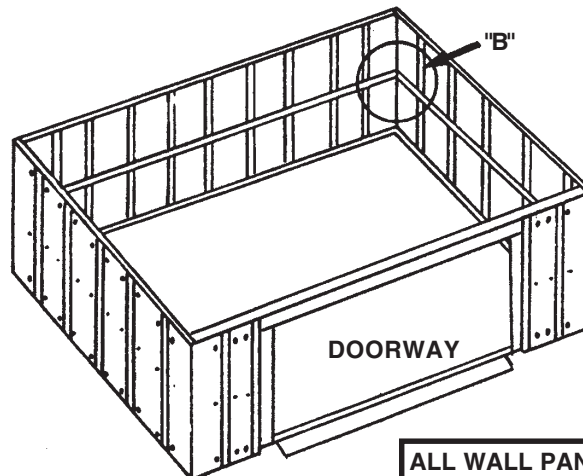
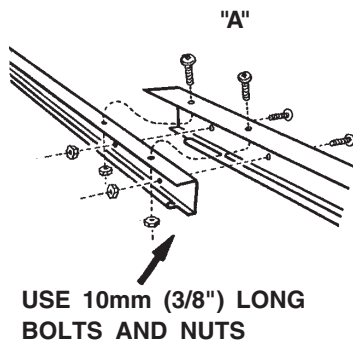


STEP

10

## SIDE AND REAR MIDWALL BRACE

1. Assemble lengths of side midwall brace (2 pcs.) together with a lap joint. See "A" Fasten midwall brace to wall panels from the outside. Repeat for other side. **NOTE - for sizes 8x5 and 8x6 these parts are in one full length piece.**
2. Repeat above procedure to assemble and fasten lengths of rear midwall brace No. 840H (2 pcs.)... See "B".

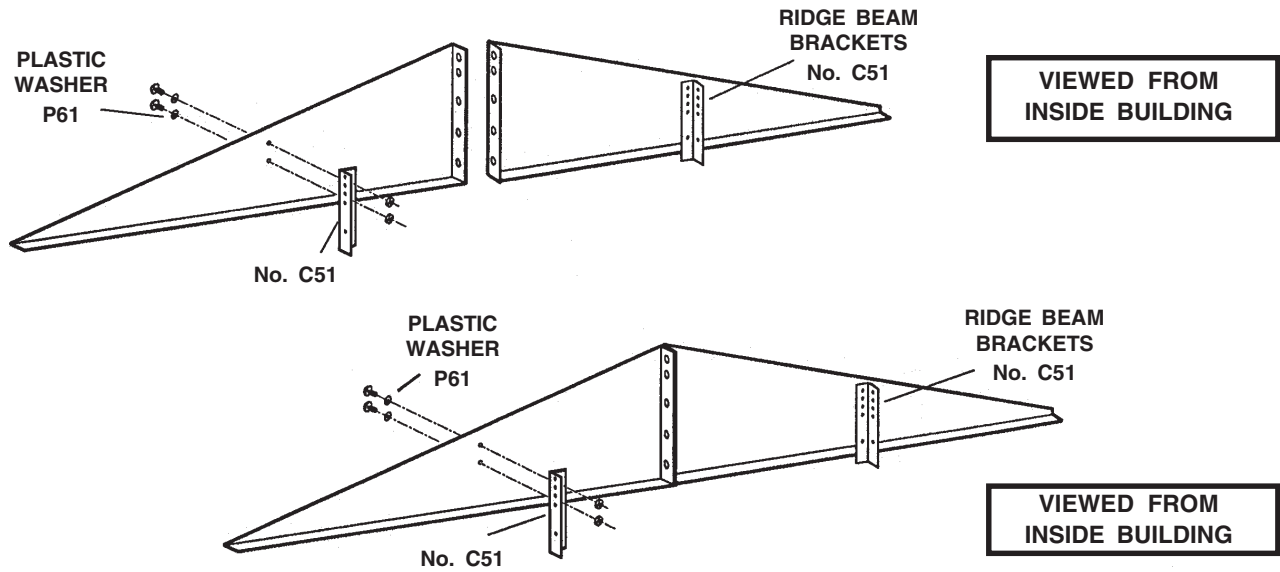


ALL WALL PANELS ARE TO BE ATTACHED  
TO TOP RAIL, MID-WALL BRACE AND BASE  
RAIL WITH SCREWS.

STEP  
11

**FRONT AND REAR GABLES AND  
SECONDARY RIDGE BEAM BRACKETS**

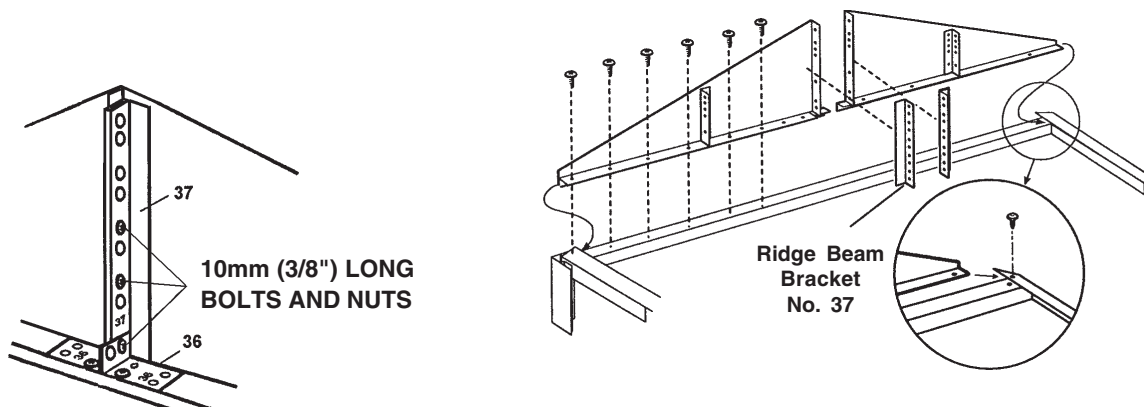
1. Fasten (1) secondary ridge beam bracket No. C51 on the **inside** of each of the 4 gables.



STEP  
12

**GABLE INSTALLATION**

1. Place right rear gable in position and fasten to rear top rail with screws.
2. Install left rear gable as above.
3. Fasten left and right gables together using (2) brackets No. 37 with bolts and nuts utilizing the **fifth and seventh holes** from the top of the brackets No. 37. Do not fully tighten at this time.
4. Position (2) top wall brackets No. 36 on either side of the lower gable joint. Attach each top wall bracket to the top rail using a self tapping screw. Using bolt and nut, attach the gables and top wall brackets together. Repeat these instructions for the front gables.



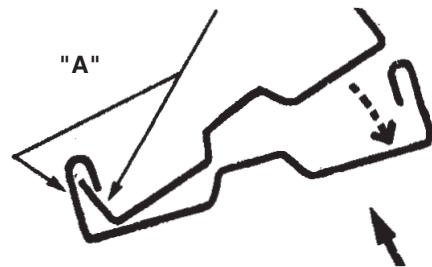
STEP  
**13**

**MAIN AND SECONDARY RIDGE BEAM ASSEMBLY**

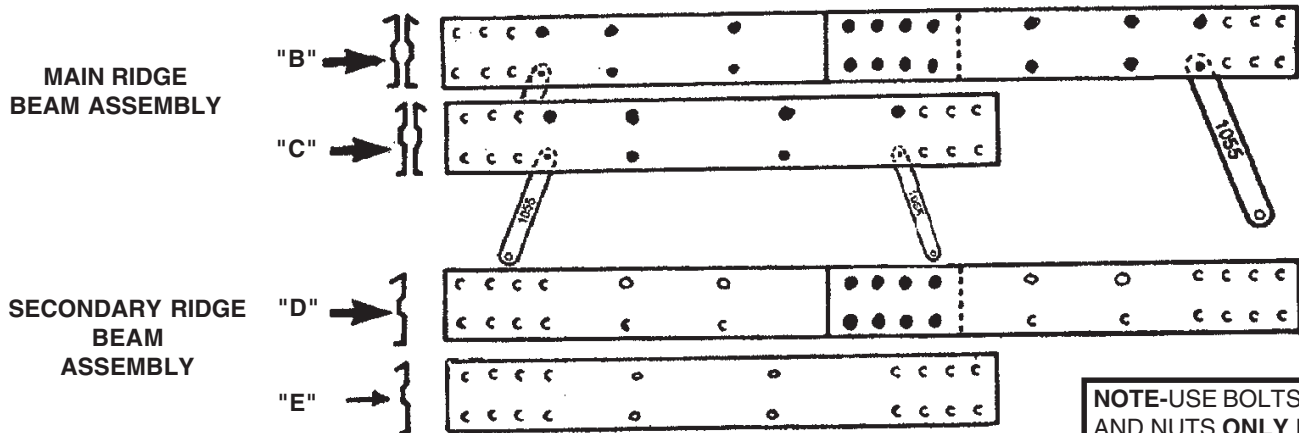
1. To combine the **main ridge beam**...select 2 pieces that combine (when lapped) to make the proper length for your building. **NOTE - For sizes 8x5 and 8x6 these parts are in one full length piece.**
2. Lay pieces on hard surface. Position one end (with flange cutout---See "A" and note small holes position) into the second piece (at the end with the full flange---See "A" and note small holes position). Align holes in beams --- then step on raised edge to snap top beam into place. Tap beams into place to align holes if necessary.
3. Assemble another set in same manner and fasten the 2 sets together with bolts and nuts as per "B". (**For sizes 8x5 and 8x6 fasten together as per "C".**) Attach (2) main gable support braces No. 1055 as shown.
4. To make the **secondary ridge beam**...use the same length combinations to assemble 2 separate sets...as per 1, 2 and 3 above. See "B" **NOTE - For size 8x7 use single pieces in combination...as per 1 and 2 above. See "D". NOTE - For sizes 8x5 and 8x6 these parts are in one full length piece. See "E".**

MODEL	RIDGE BEAM COMBINATIONS
8x5	516L
8x6	616L
8x7	H716H   H716H
8x8	H716H   H516H
8x9	H516H   H516H

NOTE-SMALL HOLES ON BOTH THESE FLANGES.



USE 10mm (3/8") LONG BOLTS AND NUTS

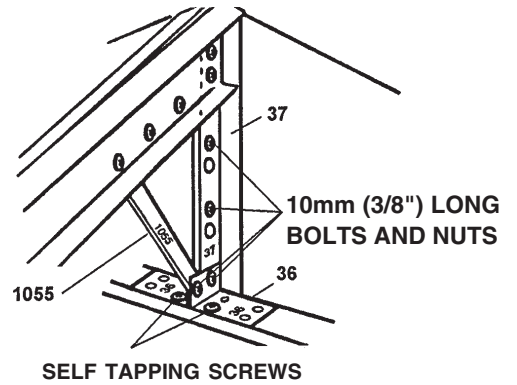


NOTE-USE BOLTS AND NUTS ONLY IN HOLES MARKED WITH BLACK DOT.

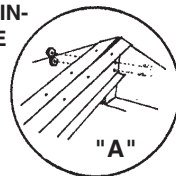
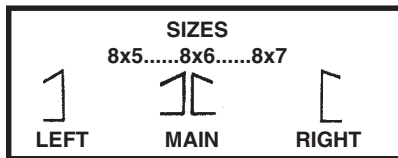
**STEP**  
**14**

**INSTALLATION OF RIDGE BEAMS**

1. Position the main ridge beam section on the gables...with the extended lips of the gable section fitting between the 2 pieces...See "A". Fasten with bolts and nuts. Attach main gable support brace No. 1055 to top wall bracket No. 36 with bolt and nut.
2. **For sizes 8x5, 8x6 and 8x7**...fasten one secondary ridge beam section to the outside of the brackets on gables with bolts and nuts. Repeat for other side.
3. **For sizes 8x8 and 8x9**...position the secondary ridge beam section with the extended lip of the bracket fitting **between** the 2 pieces. Repeat for other side.

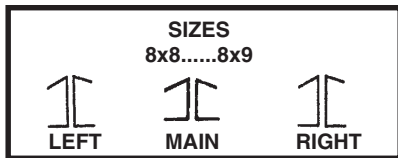
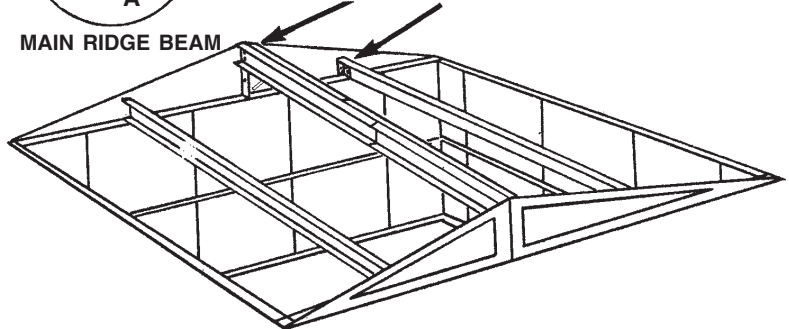


**NOTE - THE SURFACE OF THE RIDGE BEAM CONTAINING THE MOST NUMBER OF FIXING HOLES TO FACE UPWARD**



MAIN RIDGE BEAM

**USE 10mm (3/8") LONG BOLTS AND NUTS**



**STEP**  
**15**

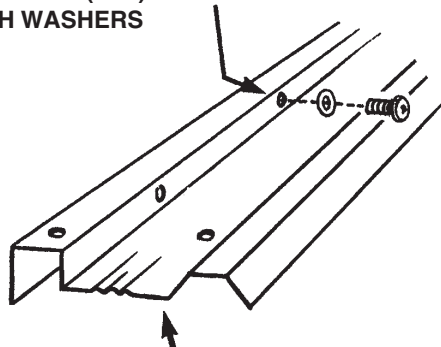
**ROOF END PANELS**

1. Position roof end panel over gable section...line up holes and fasten with bolts and washers through the roof end panel and with nuts on the outside of the gable.
2. Then fasten to ridge beams and side top rails with screws and washers.

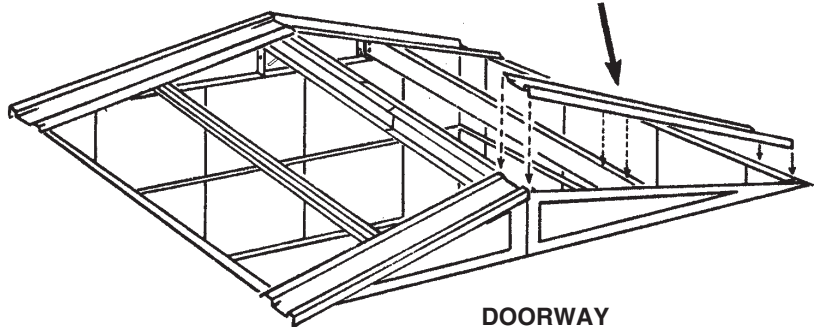


**USE SELF TAPPING SCREWS... 10mm (3/8") LONG WITH WASHERS AT RIDGE BEAMS AND TOP RAILS**

**USE 10mm (3/8") LONG BOLTS AND NUTS WITH WASHERS**



**ROOF END PANEL**  
No. 818HH (left)  
No. 844HH (right)



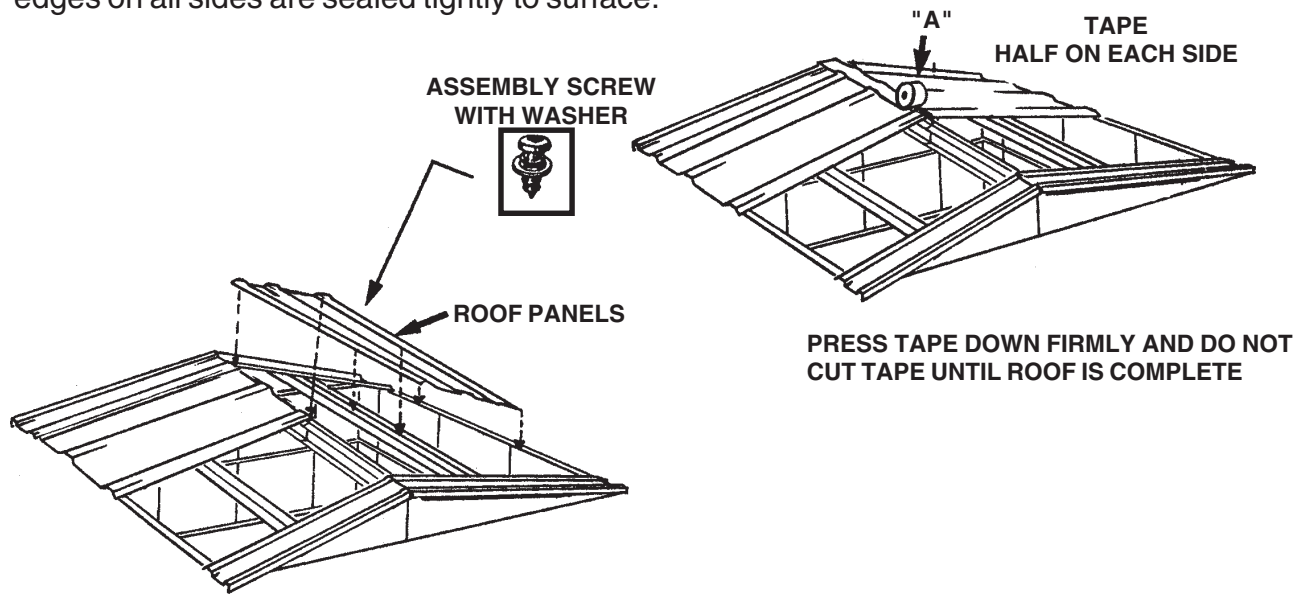
**DOORWAY**

STEP  
**16**

**ROOF PANELS AND TAPE**

1. Install roof panels by overlapping the adjacent panel. Fasten to ridge beams and top rails with screws and washers.  
**NOTE - Sizes 8x6 and 8x8 use a small half roof panel on each side at the center.**
2. Start panels at one end and do both sides. Carefully apply tape (as you progress) between the top of the roof panels on each side of the roof. See "A" **This is a weatherseal and must be applied with care with no air gaps.**  
**NOTE - Be sure surface is clean, dry and dust free and apply only when temperature is above 13°C (55°F). Be sure all edges on all sides are sealed tightly to surface.**

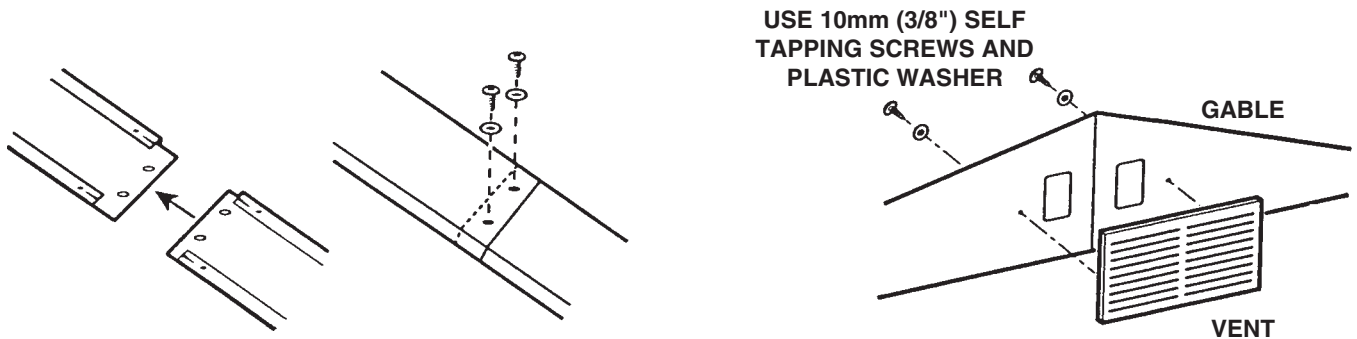
**See Pages 4 and 5 for profile, correct part number and quantity required for your building.**



STEP  
**17**

**RIDGE COVER ASSEMBLY**

1. Assemble lengths of ridge cover together by inserting one end inside the other. Fasten with screws and washers **and handle carefully!** **NOTE - for sizes 8x5 and 8x6 these parts are in one full length piece.**
2. Position vents and fasten from inside with (2) self tapping screws.









**STEP**  
**20**

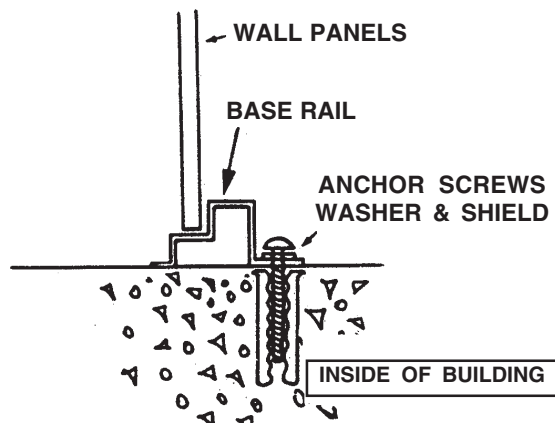
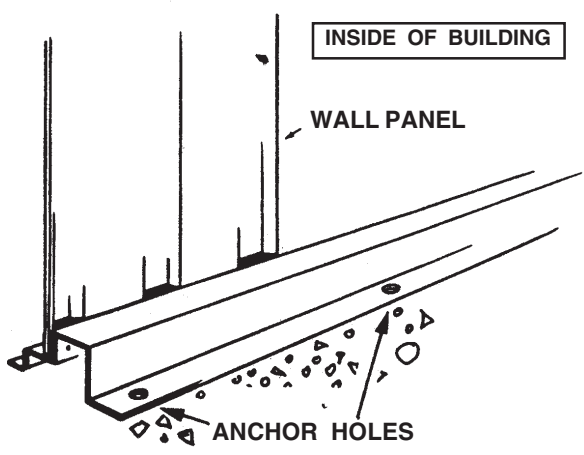
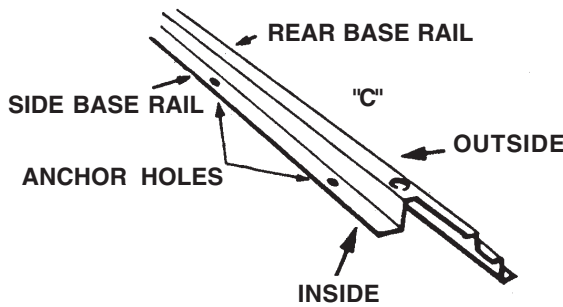
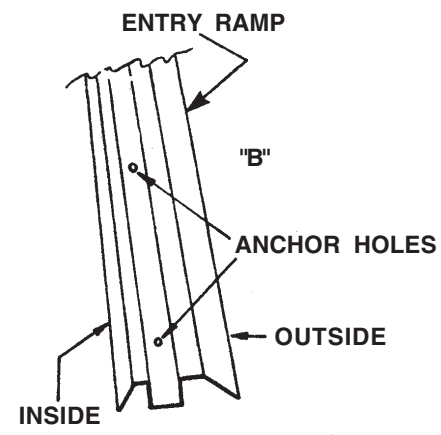
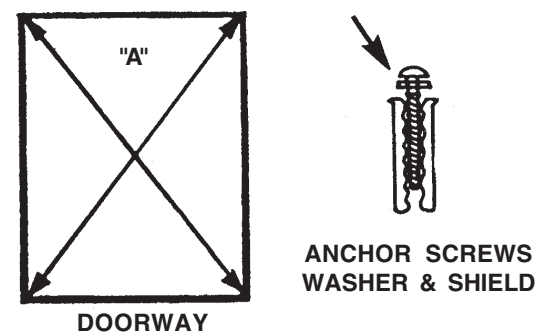
**COMPLETE THE ANCHORING OF YOUR BUILDING NOW!  
YOUR BUILDING MUST BE ANCHORED!**

1. Check building position on concrete base and adjust to original planned position.
2. Carefully position base frame in the center of solid base foundation --- to allow at least 100mm (4") of solid base outside the frame.
3. Check base frame for squareness by measuring diagonal corners. Your measurements should be equal! See "A"
4. Inside your base frame...there are 6mm (1/4") holes in the entry ramp and on the inside flange of the front, side and rear base rails. **These are anchor holes**...for installation of anchor screws into the concrete or patio stones. See "B" and "C"
5. When your base frame is square...use a black felt pen to mark location of anchor hole center on the concrete. **Mark for all anchor holes.**
6. With an electric drill and a Carbide Bit (Check size to suit anchor shield)...drill proper holes into concrete at each mark.
7. Insert anchor shields into each hole.
8. Fasten all base rails to concrete with anchor screws.

**NOTE:** Anchor screws, washers and shields are **NOT** supplied as part of the hardware package and may be purchased at your local store. You will require No. 10 concrete anchor screws 38mm (1 1/2") long with washers and expansion shields **PLUS** a Carbide Bit to suit.

**QUANTITY REQUIRED**

8x5 - 16	8x6 - 16	8x7 - 16
8x8 - 20		8x9 - 20



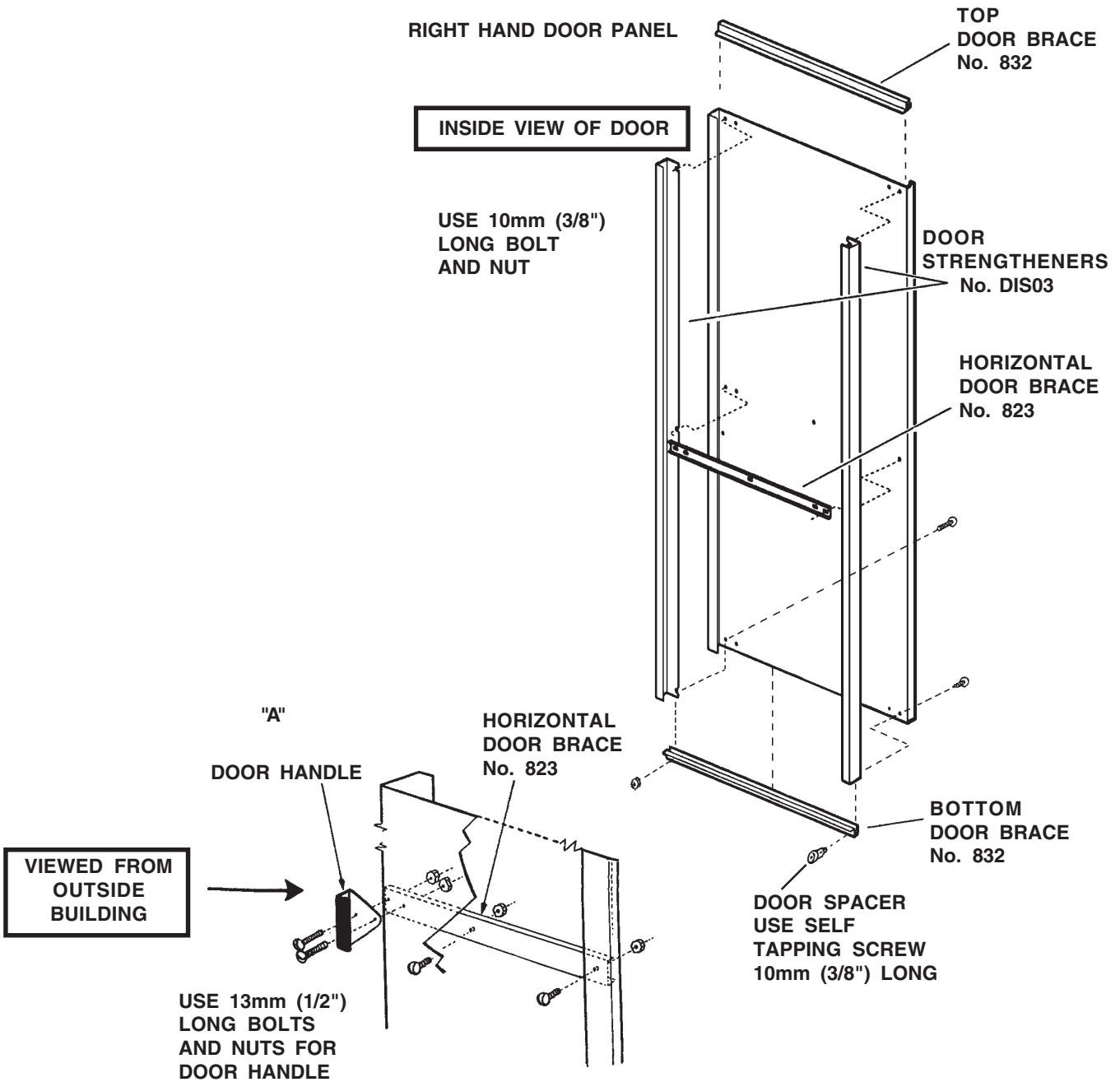
**IMPORTANT**

This building is designed to withstand normal wind loads when installed according to instructions. The manufacturer cannot be held responsible for any consequences due to buildings that are not installed per instructions or for damage due to any weather conditions or acts of God.

STEP  
**21**

**DOOR AND HARDWARE ASSEMBLY**

1. Position a door strengthener No. DIS03 on the inside return lip of the door as shown in the illustration.
2. Position a second door strengthener No. DIS03 on the opposite inside surface of the door.
3. Attach top and bottom door braces No. 832 to the door. Ensure the two vertical door strengtheners are positioned underneath the top and bottom door braces.
- Fasten bottom brace only**...with screw and door spacer on door jamb end and bolt and nut on the other end. Use hole positions exactly as shown below.
4. Install horizontal door brace No. 823. Fasten to door strengthener and door panel and install door handle. See "A".
5. Repeat for left door panel...be sure to position door spacer in correct position.

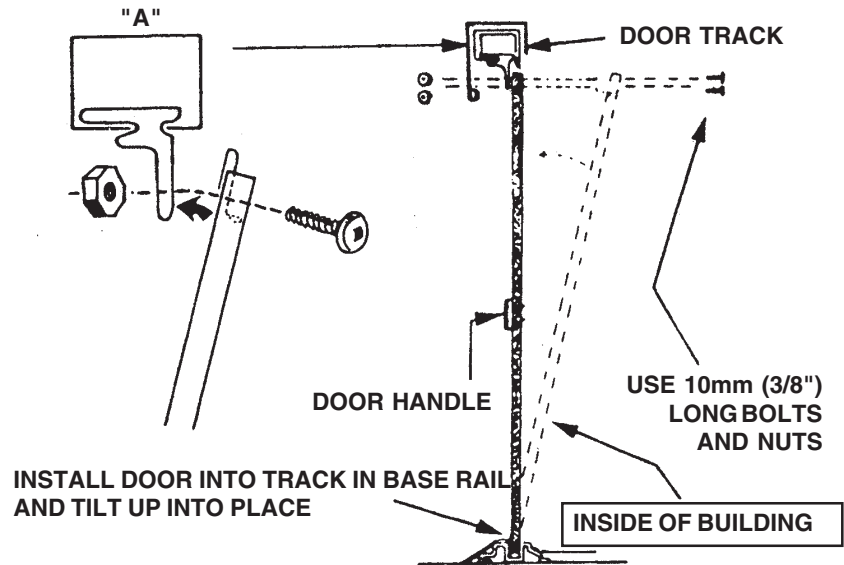


STEP

22

## DOOR INSTALLATION (FROM INSIDE)

1. Inside and near the corner of building, install bottom lip of left door into track formed in base rail.
2. Position top of door so that holes in door line up with CENTER holes in door glide. Fasten door glides to door with 10mm (3/8") long bolts and nuts from **THE INSIDE**. See "A"
3. Install right hand door in the same manner.



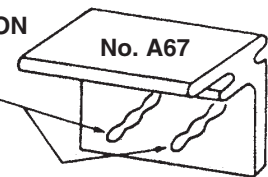
STEP

23

## DOOR ADJUSTMENT (FROM INSIDE)

1. Close doors to see if they meet squarely. There are 3 holes in each of the door glides to raise or lower doors as required for a square fit.

ADJUST BOLT LOCATION  
IN THESE 3 HOLES  
FOR SQUARE FIT



# CARE AND MAINTENANCE

- **Finish:** For long lasting finish, periodically clean and wax the exterior surface. Touch up scratches as soon as you notice them on your building. Immediately clean the area with a wire brush; wash it and apply touch up paint per manufacturer's recommendation.
- **Roof:** Keep roof clean of leaves and snow with long handled, soft bristled broom. Heavy amounts of snow on roof can damage the building making it unsafe to enter.
- **Doors:** Keep doors closed to prevent wind damage.
- **Fasteners:** Regularly check your building for loose screws, bolts, nuts, etc. and retighten them as necessary.
- **Moisture:** With changing temperatures, condensation can accumulate inside the building.
- **Other Tips:** A non-corrosive caulking is helpful to seal the building.

Do not store swimming pool chemical in your building. Combustibles and corrosives must be stored in airtight containers.

**REPLACEMENT PARTS OR ANY QUESTIONS REGARDING YOUR BUILDING SHOULD BE REFERRED DIRECTLY TO CUSTOMER SERVICE. DO NOT CONTACT YOUR DEALER, THEY ARE NOT EQUIPPED TO SERVICE YOUR REQUESTS AS PROMPTLY AS THE CUSTOMER SERVICE DEPARTMENT (1-800-851-1085).**

**PARTS REPLACEMENT ORDER FORM**

---

<p><b>** MODEL NO. _____ **</b></p> <table border="1" style="width: 100%; border-collapse: collapse; margin-top: 10px;"> <tr> <td style="width: 30%;"><b>PART NO.</b></td> <td style="width: 20%;"><b>QTY.</b></td> <td style="width: 50%;"><b>COLOR</b></td> </tr> <tr><td> </td><td> </td><td> </td></tr> <tr><td> </td><td> </td><td> </td></tr> <tr><td> </td><td> </td><td> </td></tr> <tr><td> </td><td> </td><td> </td></tr> <tr><td> </td><td> </td><td> </td></tr> <tr><td> </td><td> </td><td> </td></tr> </table> <p style="font-size: small; margin-top: 10px;"><b>FOR PARTS REPLACEMENT PLEASE CONTACT CUSTOMER SERVICE DEPARTMENT. TELEPHONE NO. (1-800-851-1085)</b></p>	<b>PART NO.</b>	<b>QTY.</b>	<b>COLOR</b>																			<p>NAME: _____</p> <p>ADDRESS: _____</p> <p>CITY: _____ PROVINCE/STATE: _____</p> <p>POSTAL CODE/ZIP: _____ TELEPHONE: _____</p> <p>PURCHASED FROM: _____</p> <p>STORE ADDRESS: _____</p> <p>DATE PURCHASED: _____</p>
<b>PART NO.</b>	<b>QTY.</b>	<b>COLOR</b>																				

**or Mail To: 3069 Wolfedale Road  
Mississauga, Ontario L5C 1V9**