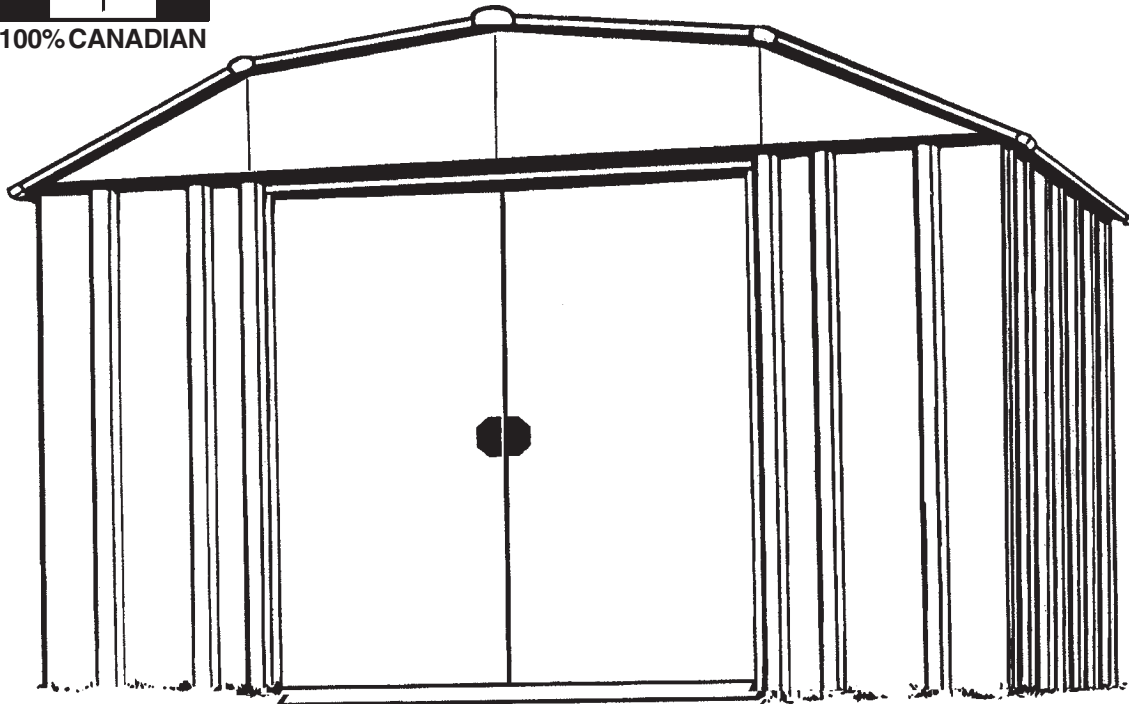




**ASSEMBLY INSTRUCTIONS FOR
MODELS**

**RB107, RB108, RB109, RB1011, RB1013
VB107, VB108, VB109, VB1011, VB1013**



CAUTION: Some parts have sharp edges. Care must be taken when handling the various pieces to avoid a mishap. For safety sake, please read the safety information provided in this manual before beginning construction. Wear gloves when handling metal parts.

VERSION FRANÇAISE AU DOS

CONTENTS

- Pre-construction instructions
- Assembling the building
- Anchoring the frame
- Parts List and order information

PROCEED WITH CONFIDENCE

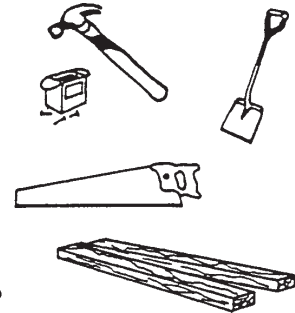
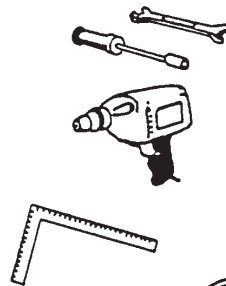
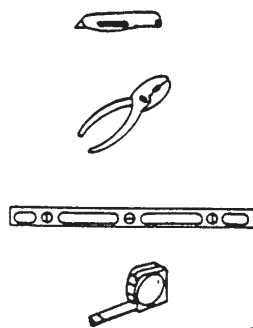
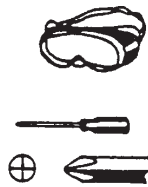
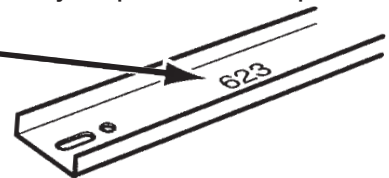
It might look complicated when you first unpack your building...but it really isn't. Simply follow the illustrated instructions and your building will go up quickly and accurately.

ASSEMBLY INSTRUCTIONS

- **Before beginning construction**...check local building codes regarding footings, location and other requirements. Study and understand the owner's manual.
- **You will need assistance**...you'll find that another person will speed the job and make assembly easier.
- **Selecting your site**...choose an area that's firm and level yet allows drainage away from site.

WARNING! ... DO NOT ERECT YOUR BUILDING IN AREAS THAT ARE SUBJECTED TO HIGH WINDS, OR ERECT ON A WINDY DAY. ANY BUILDING LEFT PARTIALLY CONSTRUCTED MAY BE SERIOUSLY DAMAGED IF LEFT IN THIS STATE.

- **Sort and separate all parts and hardware**...checking with the Parts List on Page 4 and the illustrations on Page 5...be sure you have all parts and know where they belong in the building. Each part has been numbered or illustrated, the quantity required and its part number noted.
- **Follow step-by-step instructions carefully**...complete each step before going onto the next one.
- **Retain this manual after assembly is completed**...it contains a complete parts list.



Required

- Eye Goggles
- No. 2 Phillips Screwdriver (with Hardened Magnetic Tip)
- Work Gloves
- Step Ladders

Required

- Utility Knife / Scissors
- Pliers
- Carpenter's Level
- Tape Measure

Optional Time-Savers

- Wrench / Nut Driver
- Electric / Cordless Drill
- Square
- String (for squaring frame)

Foundation Preparation

- Hammer and Nails
- Spade or Shovel
- Hand Saw / Power Saw
- Lumber and/or Concrete

BUILDING CARE

- **Carefree maintenance** – Your building has been designed to give you years of carefree service. All parts have been precision engineered for a perfect fit. It is manufactured from heavily galvanized steel with exterior parts pre-enameled on both sides at the steel mill.
- **IMPORTANT** – This building is designed to withstand normal wind loads when installed according to instructions. Manufacturer cannot be held responsible for any consequences due to buildings that are not installed per instructions or for damage due to weather conditions or acts of God.

IMPORTANT

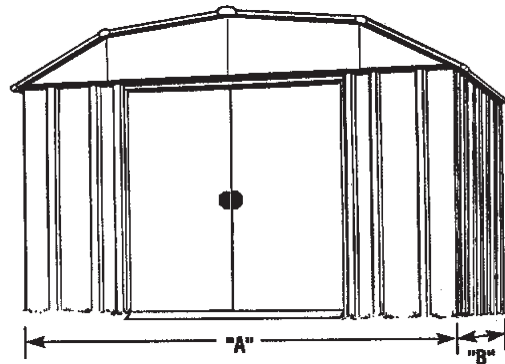
D03

PERSONAL SAFETY DURING BUILDINGS CONSTRUCTION

Some of the building components may contain sharp edges prior to assembly. Wear protective work gloves while handling these components. Wear eye protection when using any form of power tool. Do not use household voltage power tools in a wet or damp environment. Household voltage power tools must be monitored and controlled by a Ground Fault Interrupter or more commonly called a G.F.I. Do not use any part of the building's frame as a means of personal support while attaching components during assembly.

PREPARATION OF BUILDING SITE

This building must be constructed on a **SOLID BASE FOUNDATION**. We recommend a poured concrete pad or large size concrete patio stone squares for a suitable floor and base. Which ever you select...*make sure your foundation area is firm and level and will allow drainage away from the site.* Make your solid base foundation at least 4" (100mm) larger than your building. **Manufacturer is not responsible for the choice and the construction of the foundation.**



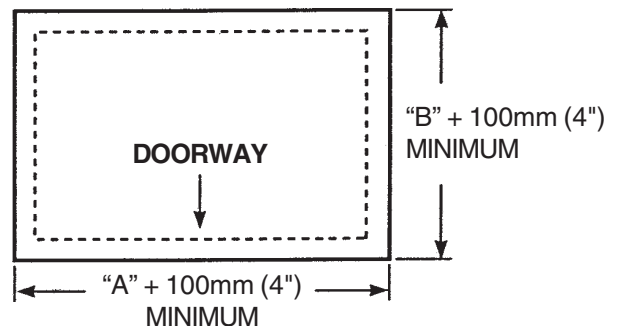
OUTSIDE MEASUREMENTS OF BUILDING AT BASE

MODEL	"A" CM	"A" INCH	"B" CM	"B" INCH
10x7	297.2	117	208.3	82
10x8	297.2	117	239.4	94 1/4
10x9	297.2	117	270.5	106 1/2
10x11	297.2	117	332.7	131
10x13	297.2	117	395.0	155 1/2

YOUR BUILDING MUST BE ANCHORED

Your building must be firmly anchored to your concrete pad or large concrete patio stone squares...to help protect against damage in high winds.

FURTHER ANCHORING INSTRUCTIONS FOLLOW AFTER ALL WALL AND ROOF PANELS HAVE BEEN INSTALLED.



Parts List

D04

IMPORTANT... When ordering parts please provide number stamped on the surface of galvanized parts. In the case of wall and roof panels please provide the model number of the building, color and size of panels.
To order parts please use order form on the last page.

Part Number	Part Description	Quantity				
		10x7	10x8	10x9	10x11	10x13
53H	Side Base Rail	-	2	4	2	6
73H	Side Base Rail	4	2	-	4	-
104H	Rear Base Rail	2	2	2	2	2
102H	Front Base Rail	2	2	2	2	2
1010H	Entry Ramp	1	1	1	1	1
*	Corner Panel	4	4	4	4	4
106H	Rear Top Rail	2	2	2	2	2
527M	Side Top Rail	-	2	4	2	6
727M	Side Top Rail	4	2	-	4	-
SP3	Splice Bar	1	1	1	1	1
106H	Door Track	2	2	2	2	2
1035H	Door Fascia	1	1	1	1	1
109**	Door Jamb	2	2	2	2	2
1028H	Front Midwall Brace	2	2	2	2	2
*	Wall Panel	9	9	11	13	15
*	Half Wall Panel (Side Only)	-	-	-	-	-
1040H	Rear Midwall Brace	2	2	2	2	2
527M	Side Midwall Brace	-	2	4	2	6
727M	Side Midwall Brace	4	2	-	4	-
*	Center Left Gable	2	2	2	2	2
*	Center Right Gable	2	2	2	2	2
*	Left Gable	2	2	2	2	2
*	Right Gable	2	2	2	2	2
38	Gable Bracket	2	2	2	2	2
39	Gable Bracket	4	4	4	4	4
H516H	Ridge Beam	-	6	12	6	18
H716H	Ridge Beam	12	6	-	12	-
1051	Ridge Beam Support Bracket	6	6	6	6	6
1036M	Roof Strap	4	4	4	8	8
1018BH	Left Roof End Panel	2	2	2	2	2
1044BH	Right Roof End Panel	2	2	2	2	2
*	Roof Panel	6	6	8	10	12
*	Half Roof Panel	-	2	-	-	-
520H	Ridge Cover	-	-	3	-	6
720H	Ridge Cover	6	-	-	6	-
820H	Ridge Cover	-	6	-	-	-
920H	Ridge Cover	-	-	3	3	-
1320H	Ridge Cover	-	-	-	-	3
541H	Roof Edge Trim	-	2	4	2	6
741H	Roof Edge Trim	4	2	-	4	-
*	Door Panel	2	2	2	2	2
1030	Top & Bottom Door Brace	4	4	4	4	4
61**	Vertical Door Brace	2	2	2	2	2
628H	Horizontal Door Brace	2	2	2	2	2
*	Weatherseal Tape	1	1	1	2	2
*	Weatherseal Squares	1	1	1	2	2
49H	Ridge Cover End Cap	6	6	6	6	6
*	Door Handle	2	2	2	2	2
*	Plastic Washer Tree	3	4	4	5	6
	Owner's Manual	1	1	1	1	1
	Hardware Kit Contains (Bolts, Nuts and Screws)					
*	Roof Corner Cap	4	4	4	4	4
A67	Door Glide	4	4	4	4	4
*	Door Spacer (2 sets of 2)	4	-	-	-	-

* Indicates that part number is NOT stamped in the part see illustrations.

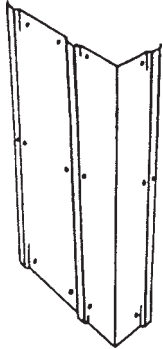
** Indicates letter or letters that designates different heights.

Painted parts may contain a prefix that designates color / material.

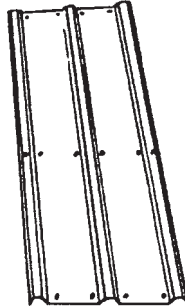
xx Indicates that the item is in the hardware bag but is NOT used.

Parts Not Identified with Part Number

D05



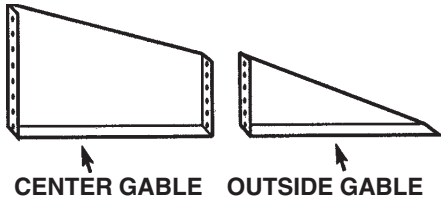
CORNER PANEL



WALL PANEL

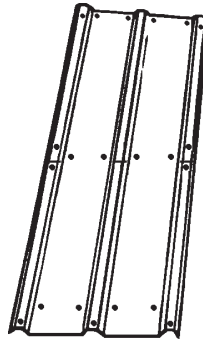


HALF WALL PANEL

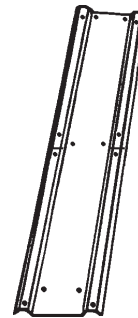


CENTER GABLE

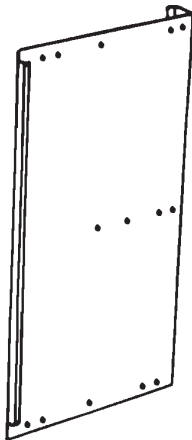
OUTSIDE GABLE



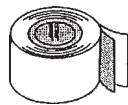
ROOF PANEL



HALF
ROOF PANEL



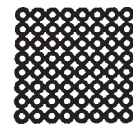
DOOR PANEL



WEATHERSEAL TAPE



DOOR HANDLE



PLASTIC WASHER TREE

ITEMS in the HARDWARE BAG



ROOF CORNER
CAP



DOOR GLIDE
A67



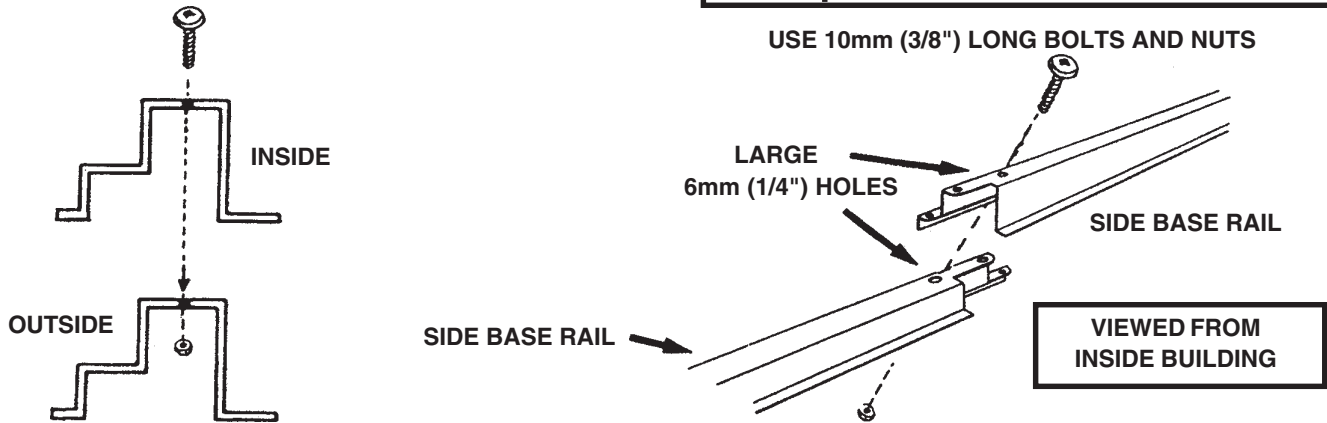
DOOR SPACER
NOT USED

STEP
1

SIDE AND REAR BASE RAILS

1. Assemble lengths of side base rails together with a lap joint. Align large holes. Repeat for other side.
2. Repeat above procedure to assemble lengths of rear base rails No. 104H (2 pcs.).

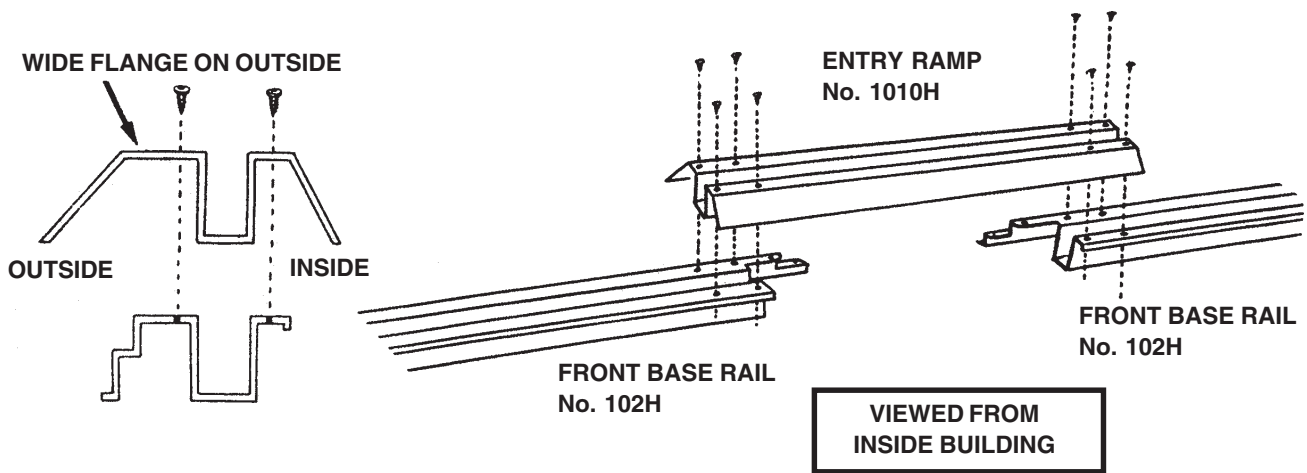
SIZE	SIDE BASE RAIL COMBINATION ORDER		
10x7	73H	73H	
10x8	53H	73H	
10x9	53H	53H	
10x11	73H	53H	73H
10x13	53H	53H	53H



STEP
2

FRONT BASE RAILS AND ENTRY RAMP

1. Space out lengths of front base rails No. 102H (2 pcs.) and fasten entry ramp No. 1010H between lengths.



USE SELF TAPPING SCREWS..10mm (3/8") LONG

STEP

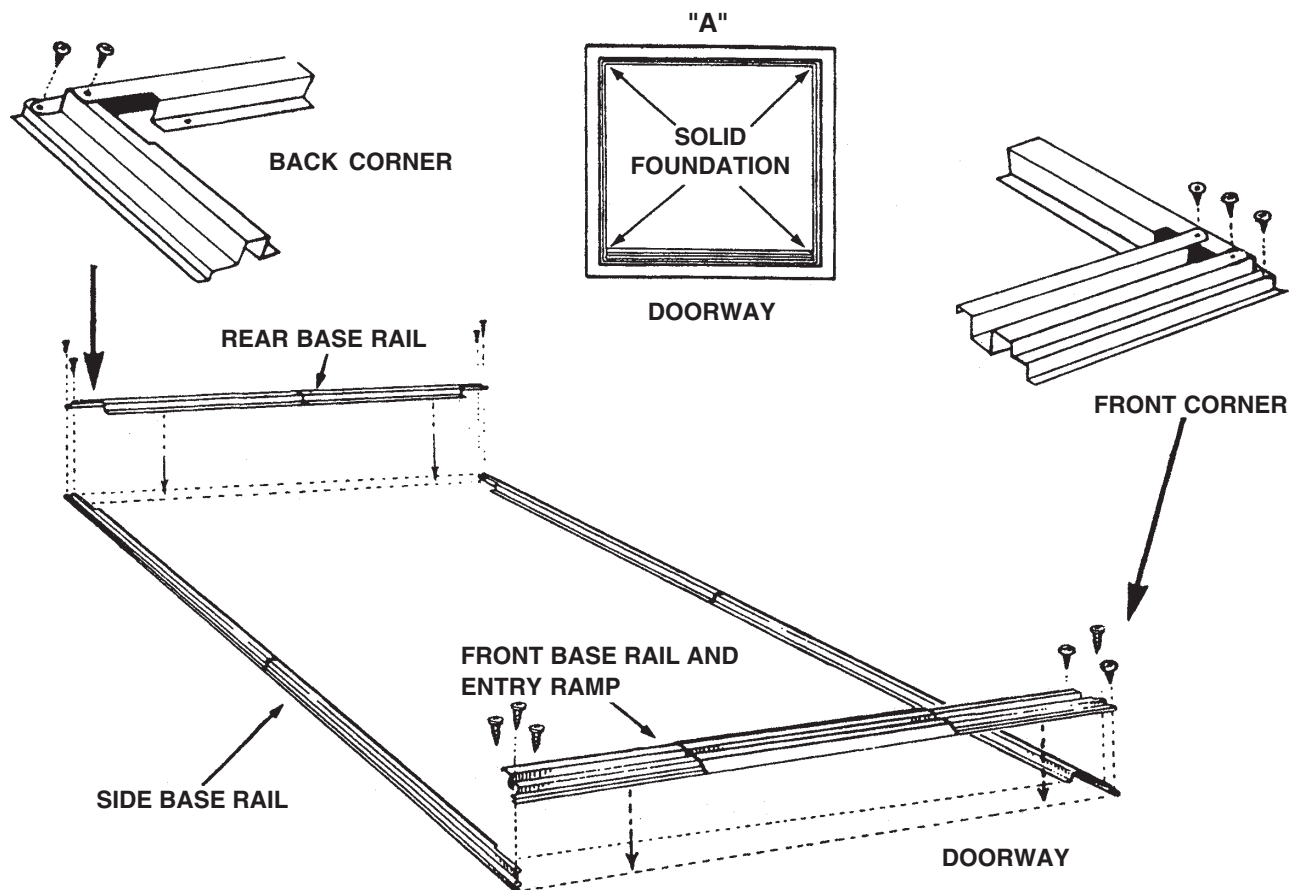
3

BASE FRAME ASSEMBLY

1. Assemble all 4 base rails into a base frame in proper position on your foundation. Use 10mm (3/8") self tapping screws on front and on back corners.
2. Check base frame for squareness by measuring diagonal corners. Your measurements should be equal. See "A"

* AFTER ASSEMBLY CHECK BASE DIMENSIONS (SEE PAGE 3) TO VERIFY CORRECT POSITION OF RAILS.

USE SELF TAPPING SCREWS...10mm (3/8") LONG



* AFTER ASSEMBLY CHECK BASE DIMENSIONS (SEE PAGE 3) TO VERIFY CORRECT POSITION OF RAILS.

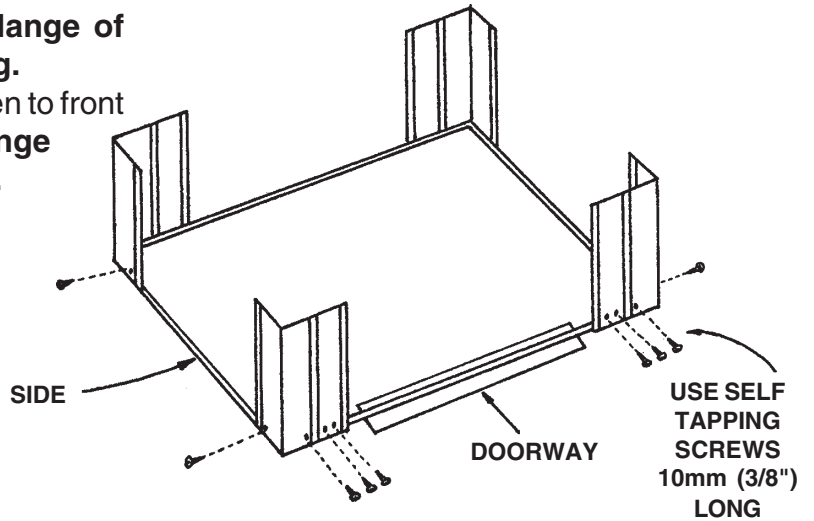
WARNING!

DO NOT ERECT ON A WINDY DAY. THE LARGE WALL AND ROOF PANELS PROVIDE A LARGE SURFACE AND THE WIND COULD EASILY CARRY THEM AWAY. ANY BUILDING LEFT PARTLY CONSTRUCTED MAY BE SERIOUSLY DAMAGED IF LEFT IN THIS STATE.

STEP
4

CORNER PANELS

1. Position **rear** corner panels and fasten to rear and side base rails...**with narrow flange of panel along the side of the building.**
2. Position **front** corner panels and fasten to front and side base rails...**with narrow flange of panel along the side of building.**

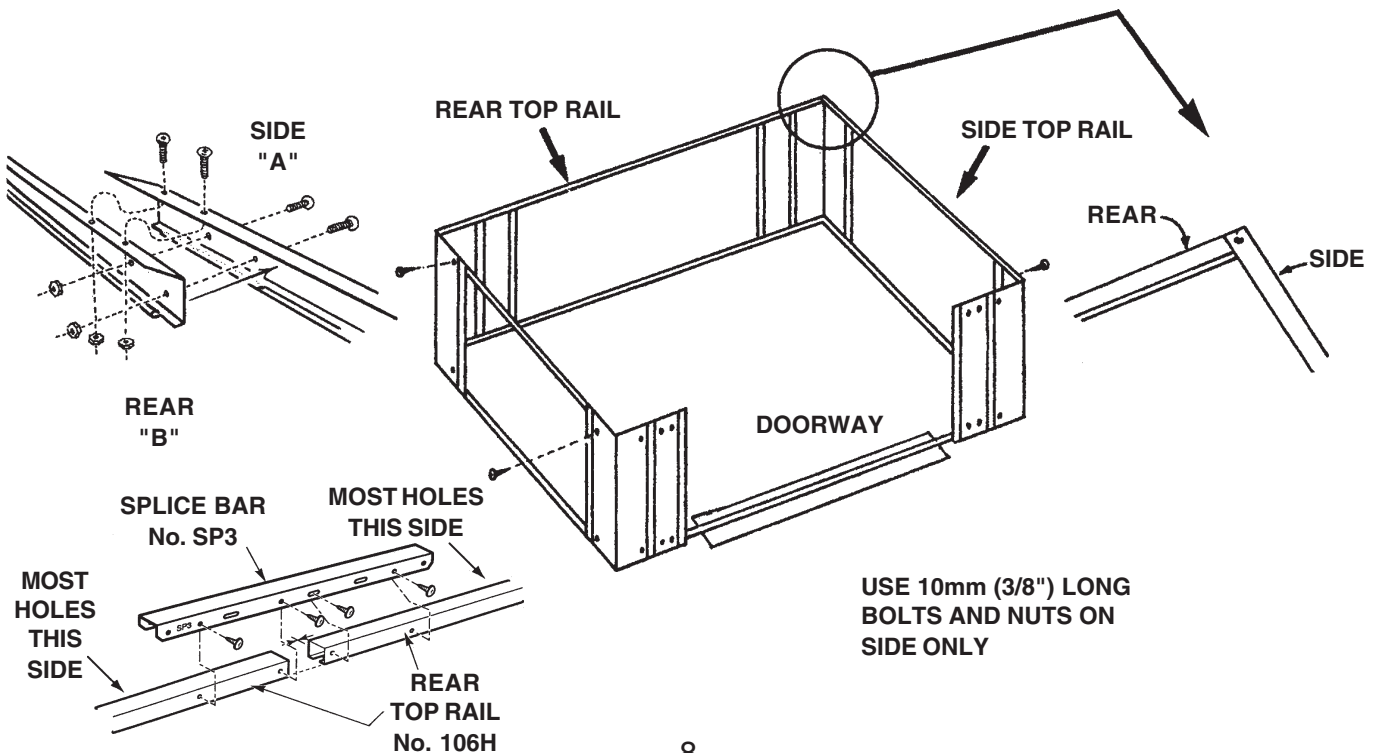


STEP
5

SIDE AND REAR TOP RAILS

1. Assemble lengths of side top rails together with a lap joint...see "A". Fasten to top of corner panels. Repeat for other side.
2. Assemble lengths of rear top rails (3 pcs.) No. 106H (2 pcs.) and No. SP3 (1)...See "B". Fasten to top of corner panels.

SIZE	SIDE TOP RAIL COMBINATION ORDER		
10x7	727M	727M	
10x8	727M	527M	
10x9	527M	527M	
10x11	727M	527M	727M
10x13	527M	527M	527M

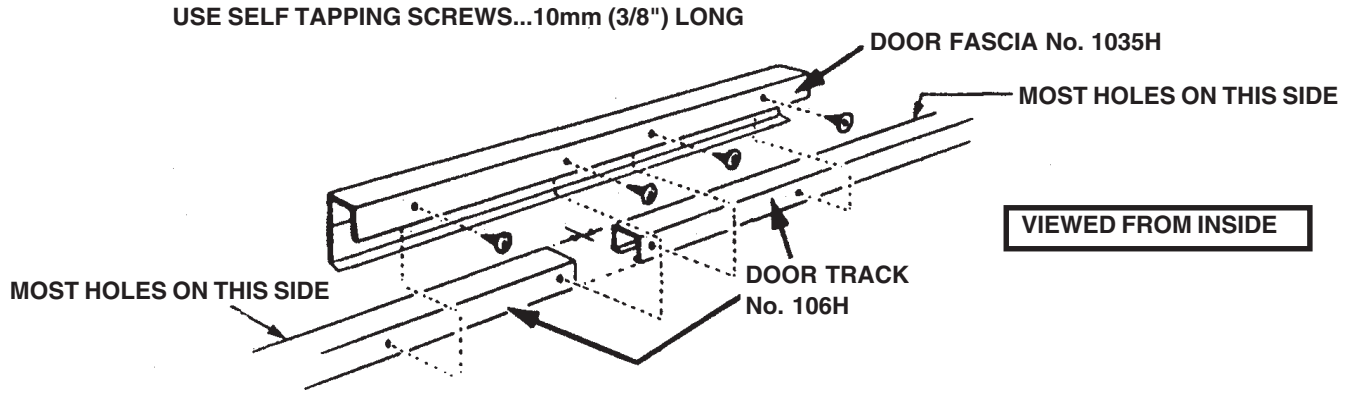


STEP
6

SPLICED ASSEMBLY OF DOOR TRACK AND DOOR FASCIA

1. Assemble lengths of door track No. 106H (2 pcs.) together with door fascia No. 1035H.

See Pages 4 and 5 for profile, correct part number and quantity required for your building.

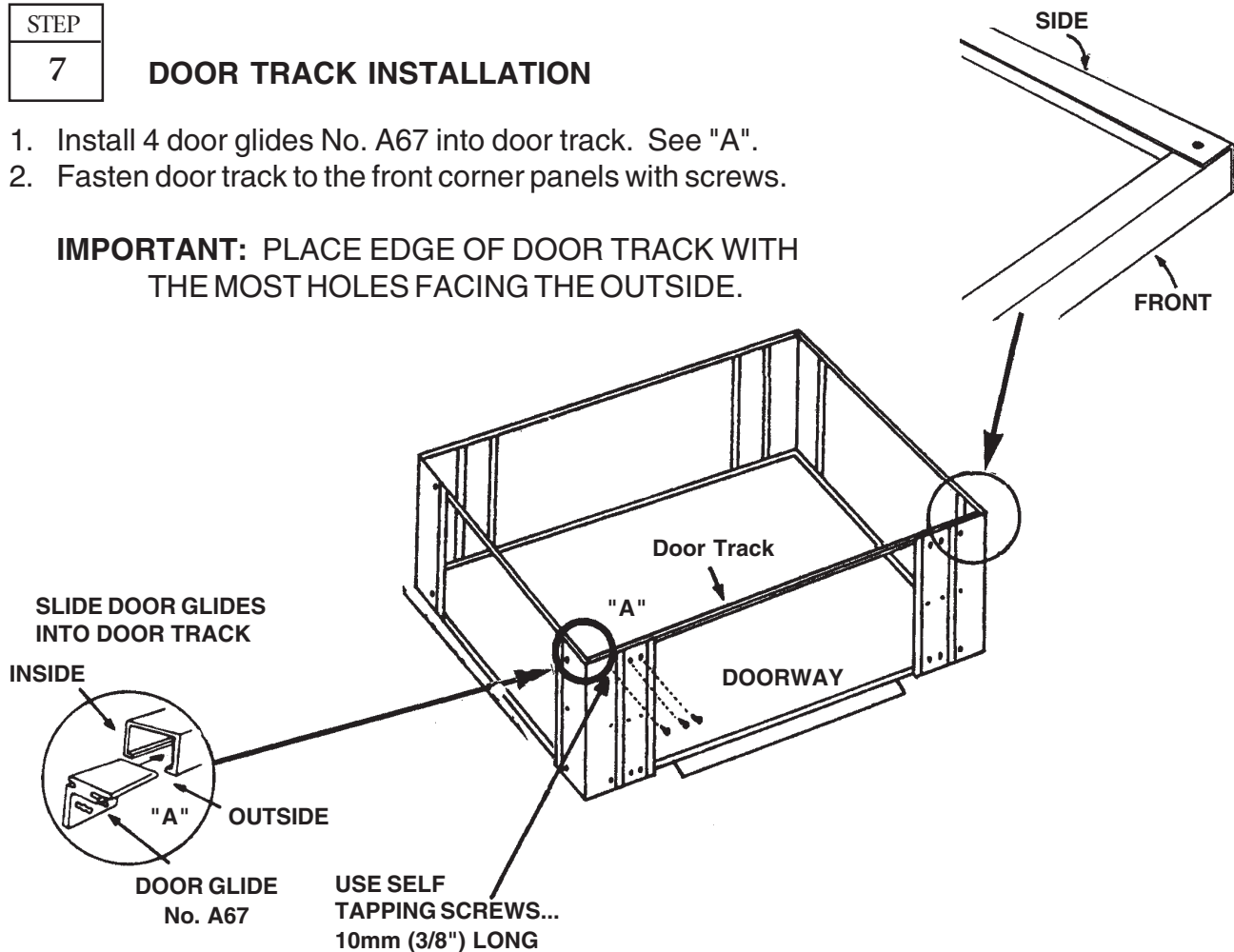


STEP
7

DOOR TRACK INSTALLATION

1. Install 4 door glides No. A67 into door track. See "A".
2. Fasten door track to the front corner panels with screws.

IMPORTANT: PLACE EDGE OF DOOR TRACK WITH THE MOST HOLES FACING THE OUTSIDE.

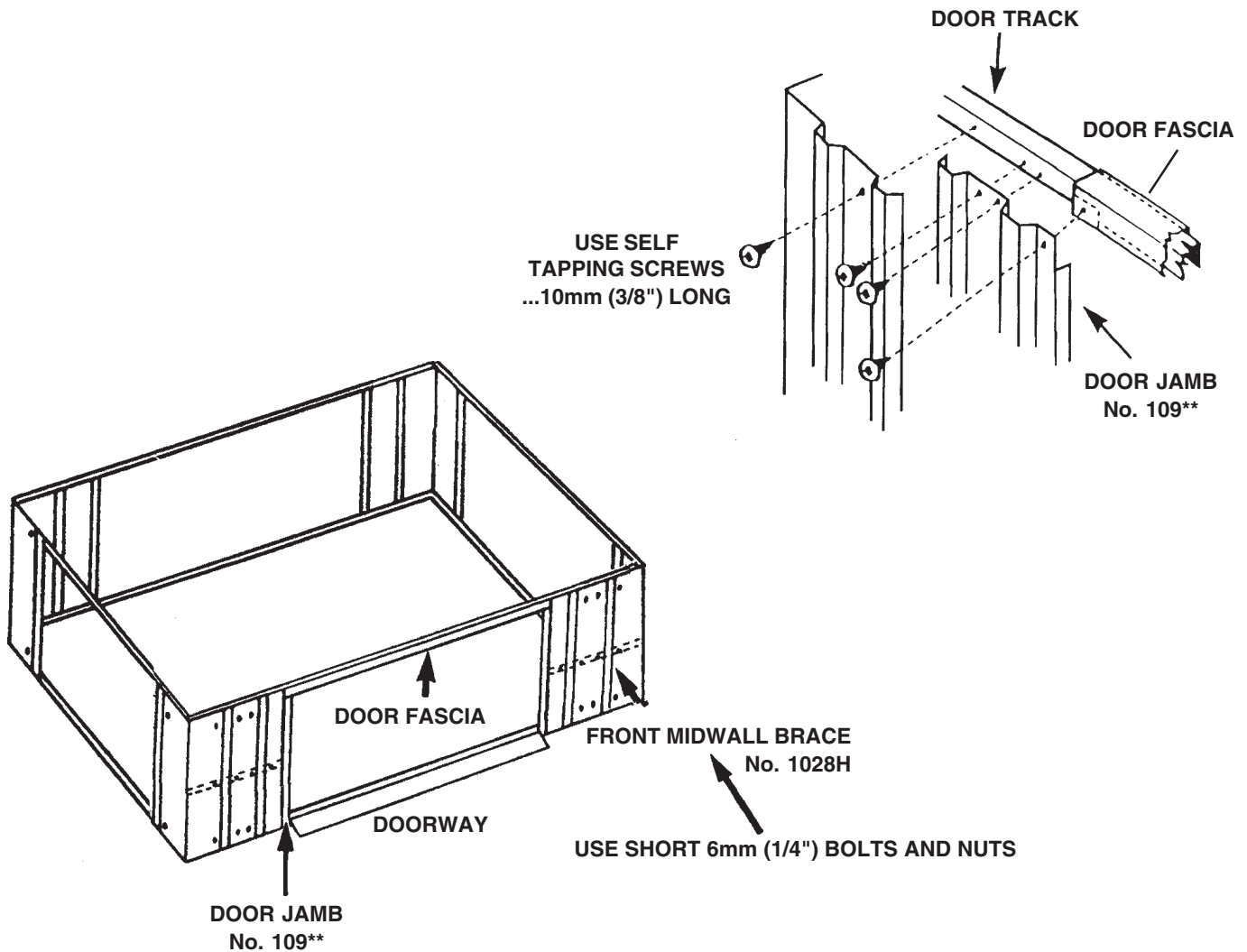


STEP

8

DOOR JAMBS, DOOR FASCIA AND FRONT MIDWALL BRACE

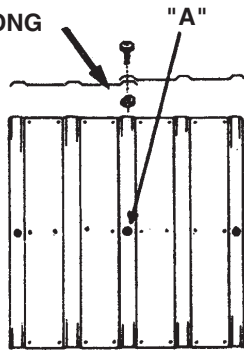
1. Remove corner panel screws as necessary and install door jambs No. 109** on each side of entry ramp...sliding door jamb **under** the wall panel and **under** door fascia. Fasten at base rail --- then fasten through the door fascia and door jamb into the side of door track. Replace corner panel screws.
2. Fasten door jamb to wall panels at midwall height with 10mm (3/8") bolts and nuts.
3. Install front midwall brace No.1028H on each side of doorway.
Use short bolts 6mm (1/4").



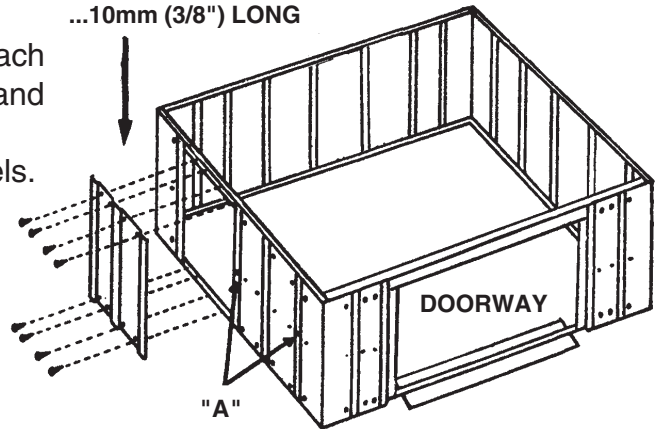
STEP
9

SIDE AND REAR WALL PANELS

1. Install wall panels on each side wall...fasten to base rails and top rails. **NOTE - Size 10x8 uses a smaller half wall panel along the side walls only.**
2. At the midwall height on the overlap ridge joint of each wall panel...fasten with 10mm (3/8") long bolts and nuts. See "A"
3. Repeat above procedure to install rear wall panels. **USE 10mm (3/8") LONG BOLTS AND NUTS**



USE SELF TAPPING SCREWS
...10mm (3/8") LONG

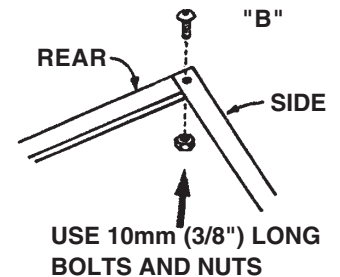
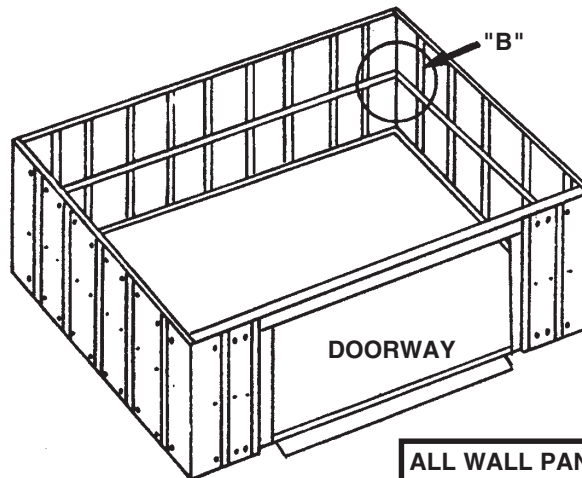
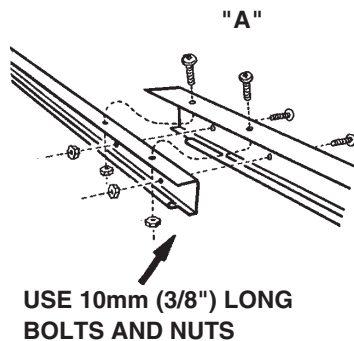


STEP
10

SIDE AND REAR MIDWALL BRACE

1. Assemble lengths of side midwall brace together with a lap joint. See "A" Fasten midwall brace to wall panels from the outside. Repeat for other side.
2. Repeat above procedure to assemble and fasten lengths of rear midwall brace No. 1040H (2 pcs.)... See "B".

SIZE	SIDE MIDWALL BRACE COMBINATION ORDER		
10x7	727M	727M	
10x8	727M	527M	
10x9	527M	527M	
10x11	727M	527M	727M
10x13	527M	527M	527M

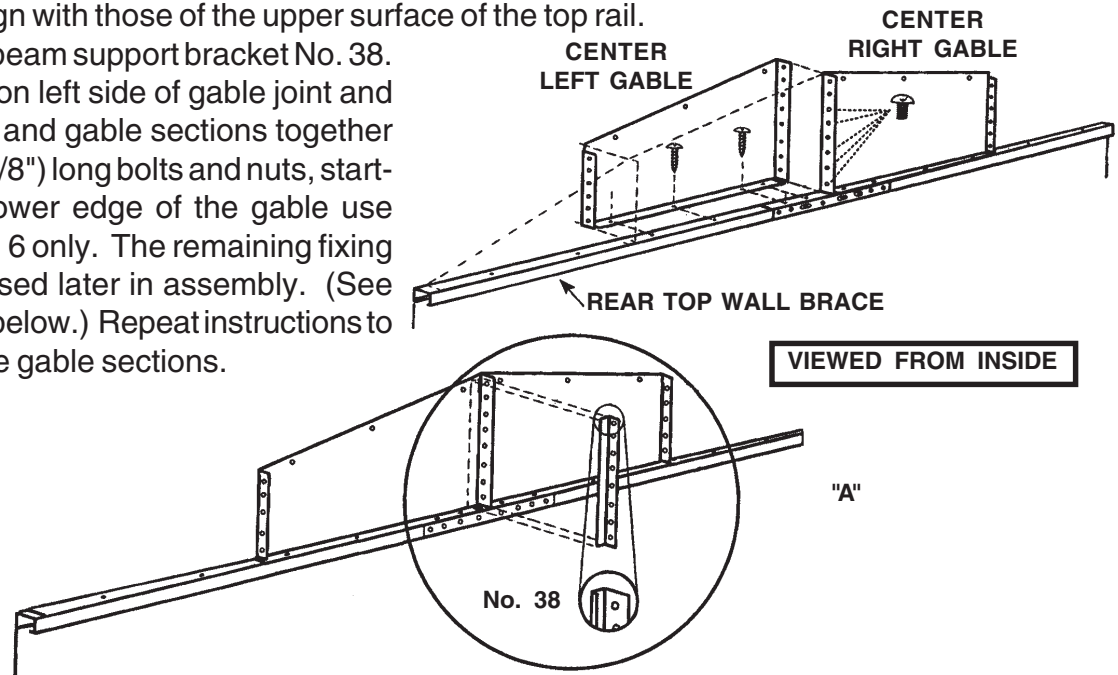


ALL WALL PANELS ARE TO BE ATTACHED TO TOP RAIL, MID-WALL BRACE AND BASE RAIL WITH SCREWS.

STEP

11 CENTER GABLE INSTALLATION

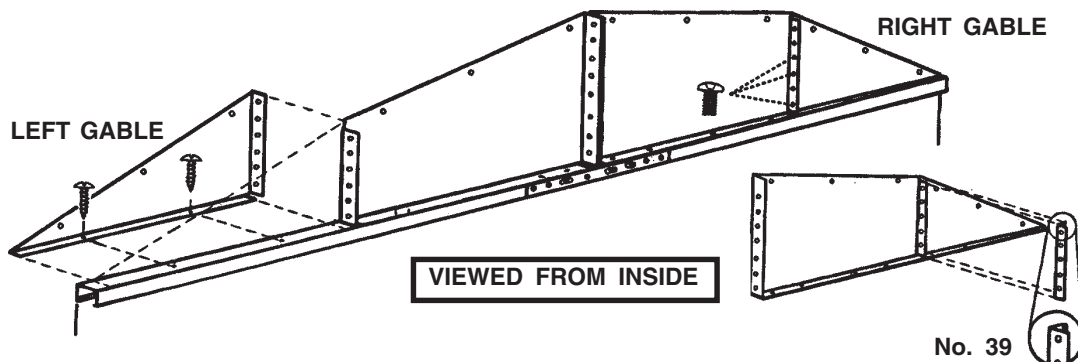
1. Select left and right center gables. Starting at the center of the rear top rail, attach center gable sections to rear top rail, attach gables using 10mm (3/8") long self tapping screws at location where fixing holes align with those of the upper surface of the top rail.
2. Select a ridge beam support bracket No. 38. Place bracket on left side of gable joint and attach bracket and gable sections together using 10mm (3/8") long bolts and nuts, starting from the lower edge of the gable use holes 1, 2, 3, 5, 6 only. The remaining fixing holes will be used later in assembly. (See illustration "A" below.) Repeat instructions to attach opposite gable sections.



STEP

12 OUTER GABLE INSTALLATION

1. Select outer left and right gable sections. Attach left outer gable section alongside previously fitted center left gable, secure outer gable to the rear top rail with 10mm (3/8") long self tapping screws where fixing holes align. Attach right hand outer gable in a similar manner.
2. Select one of the shorter ridge support brackets No. 39 and position against the joint of the center and outer gable, attach bracket and gable sections together using 10mm (3/8") long bolts and nuts placed in fixing holes (counting from lower edge of gable) 1, 3, 4. The remaining fixing holes will be used later in assembly. Attach a second support bracket to the opposite gable joint. (See illustration)

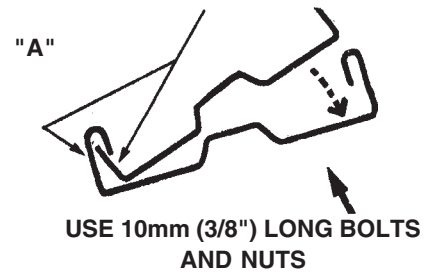


STEP
13

RIDGE BEAM ASSEMBLY

1. To combine the **main ridge beam**...select pieces that combine (when lapped) to make the proper length for your building.
2. Lay pieces on hard surface. Position one end (with flange cutout ---See "A" and note small holes position) into the second piece (at the end with the full flange---See "A" and note small holes position). Align holes in beams --- then step on raised edge to snap top beam into place. Tap beams into place to align holes if necessary.
3. Assemble another set in same manner and fasten the 2 sets together with bolts and nuts as per "B" and "C".
4. To make the **secondary ridge beam**...use the same length combinations to assemble 4 separate sets...as per 1, 2 and 3 above. See "B" and "C".

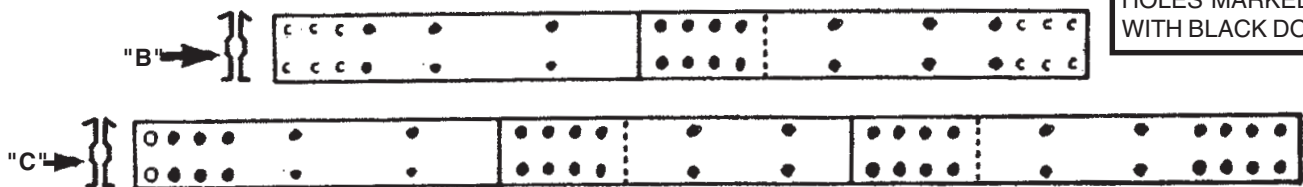
NOTE-SMALL HOLES ON BOTH THESE FLANGES.



SIZE	RIDGE BEAM COMBINATION ORDER		
10x7	H716H	H716H	
10x8	H716H	H516H	
10x9	H516H	H516H	
10x11	H716H	H516H	H716H
10x13	H516H	H516H	H516H

"B" is for sizes 10x7, 10x8 and 10x9
"C" is for sizes 10x11 and 11x13

MAIN AND SECONDARY RIDGE BEAM ASSEMBLY

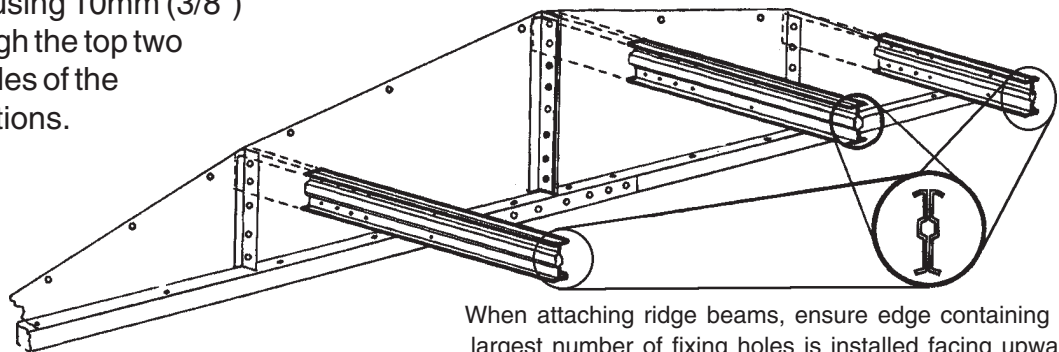


NOTE-USE BOLTS AND NUTS ONLY IN HOLES MARKED WITH BLACK DOT.

STEP
14

RIDGE BEAM INSTALLATION

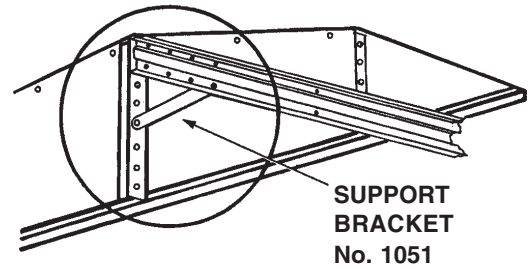
1. Select a previously assembled ridge beam. Note the edge of the ridge beam containing the most fixing holes, ensure the edge faces upward when the ridge beam is installed. Using a ladder with the assistance of a helper, position ridge beam onto uppermost join of the center gables. Insert gable join between the join of the ridge beams at either end. Attach ridge beams to gable sections using 10mm (3/8") long bolts placed through the outermost fixing holes of the ridge beams passing through the top two vacant holes of the center gables, attach secondary ridge beams in the same manner, again using 10mm (3/8") long bolts through the top two vacant fixing holes of the outer gable sections.



STEP
15

RIDGE BEAM SUPPORT BRACKETS

1. Select 6 ridge beam support brackets No. 1051. Attach each bracket to the vacant fixing hole remaining in each gable joint. Swing free end of support bracket upwards towards the ridge beams. Temporarily remove nut and bolt from 4th lower fixing hole of ridge beam. Insert support bracket between ridge beam sections, align all fixing holes. Refit previously removed bolt and nut. Repeat instructions to attach remaining support brackets.



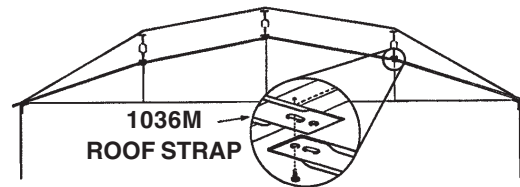
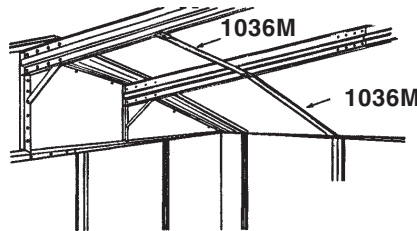
STEP
16

ROOF STRAP INSTALLATION

1. From the chart on page 4 select the required number of roof straps No. 1036M for your building size. **NOTE**...Building sizes 10x7, 10x8 and 10x9 require the roof straps to be attached near the joint of the two ridge beam sections. Larger building sizes such as 10x11 and 10x13 require two sets of roof straps, each set being attached near the two ridge beam joints. (See illustration)
2. Using a 10mm (3/8") long self tapping screw attach one end of roof strap to the lower edge fixing holes of the center ridge beam. Extend roof strap across to lower edge fixing holes of second-

ary ridge beam, overlap a second roof strap, and secure both straps to the secondary ridge beam. Extend second roof strap across to side top rail, ensure fixing holes of roof strap align with those of the top rail. **DO NOT ATTACH AT THIS TIME**...roof straps are required to be attached when the roof panels are being installed. (See illustration)

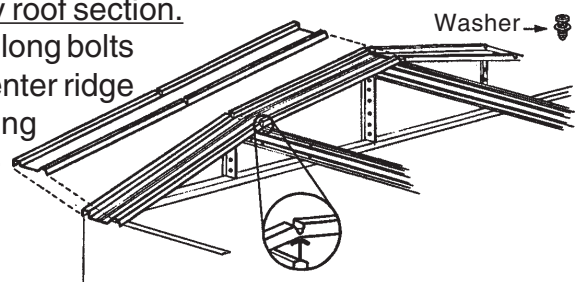
NOTE...Only attach roof straps to top rail when fitting roof panels. Later instructions require you to secure roof panels and roof straps to the side top rail using 10mm (3/8") long self tapping screws and washers.



STEP
17

ROOF END PANEL INSTALLATION

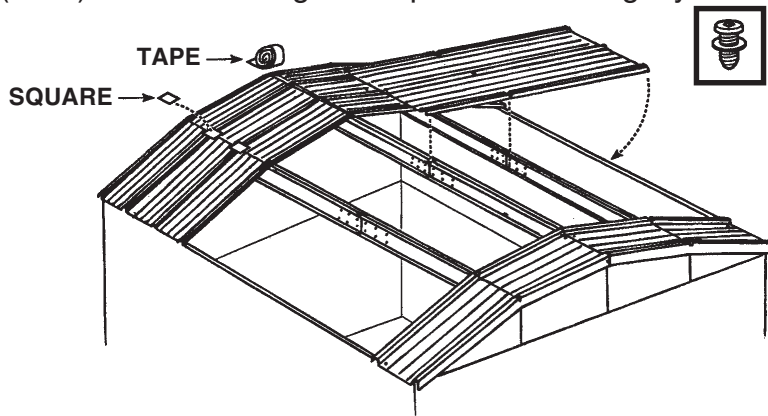
1. Select left and right roof end panels No. 1018BH and No. 1044BH.
2. Position roof end panels from center ridge beam passing over secondary (outer) ridge beams. **NOTE**...Each roof panel has a number of bend cutouts, these cutouts must be positioned over the secondary ridge beams.
3. Align fixing holes with those of the center gable, bend roof panel at notched cutouts allowing panel to follow the contour of the outer gable section. **Note**...A plastic washer is required to be fitted to all bolts and screws prior to them being fitted to any roof section.
4. Attach roof end panels to gables using 10mm (3/8") long bolts and nuts and washers. Attach end roof panels to center ridge beam fixing holes using 10mm (3/8") long self tapping screws and washers. Attach roof end panels to top side rail using 10mm (3/8") long self tapping screws and washers. (See illustration)



STEP
18

ROOF PANEL, WEATHERSEAL AND INSTALLATION

- From the chart on page 4 select the required number of roof panels for your model building. **NOTE**...some building models may also require a half roof panel. Install half panels towards the rear of the building.
NOTE...Ensure the notched cutouts in each of the roof panels are placed over the secondary ridge beams.
- Starting from a rear corner of the building, attach roof panels on alternate sides of the building. (See important note.) Bend each panel downward at the notched cutout position over the secondary ridge beam. Overlap the raised flange section of the previously fitted panel with the panel being installed. Attach roof panels to both center and secondary ridge beams, as well as, the top side rail (ensure roof straps are secured at this time), use 10mm (3/8") long self tapping screws and washers through all fixing holes provided. (See illustration)
IMPORTANT NOTE...As you proceed across the roof installing roof panels on alternate sides of the building, apply weatherseal tape lengthwise across the center join of the roof panels, weatherseal squares are also to be attached to the bend cutouts of each roof panel. **NOTE**...Only apply weatherseal tape to a clean, dry and dust free surface, apply only when temperature is between 13°C (55°F) and 22°C (70°F). Ensure all edges of tape are sealed tightly down to roof panels.



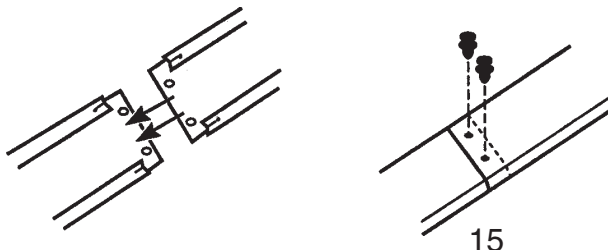
STEP
19

RIDGE BEAM COVER ASSEMBLY

- Select the required number of ridge beam covers sections for your model of building. **NOTE**...Your building requires 3 completed ridge cover assemblies.
- Assemble sections together by inserting one beam section inside another section, attach sections together using 10mm (3/8") long self tapping screws and washers through the fixing holes provided. (See illustration)

SIZE	RIDGE BEAM COVER COMBINATION ORDER		
10x7	720H	720H	
10x8	820H	820H	
10x9	920H	520H	
10x11	720H	920H	720H
10x13	520H	1320H	520H

TURN UPSIDE DOWN TO ASSEMBLE
THEN HANDLE CAREFULLY AFTER ASSEMBLY

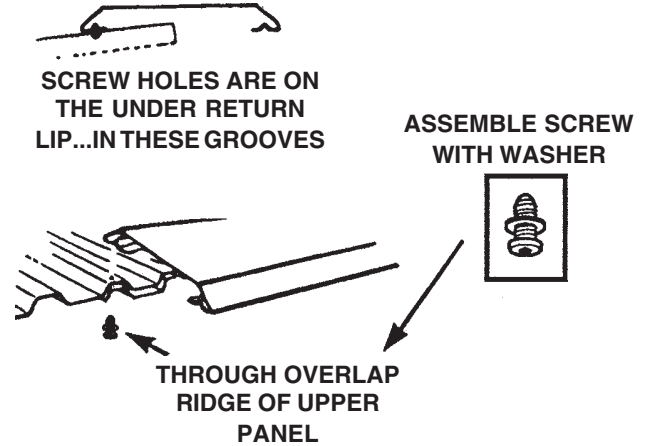


USE SELF TAPPING SCREWS... 10mm
(3/8") LONG WITH WASHERS

STEP
20

RIDGE BEAM COVER INSTALLATION

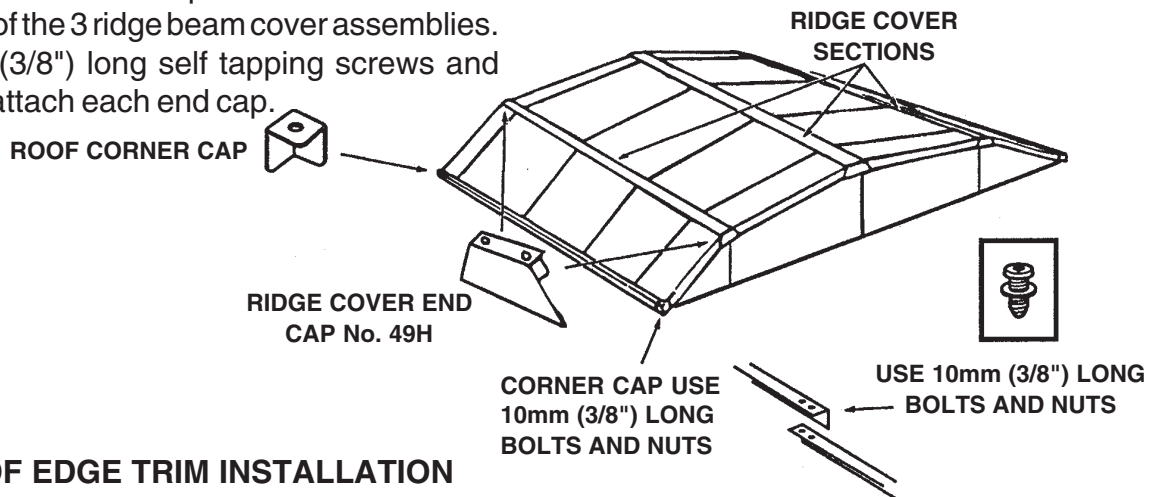
1. With assistance from a helper, carefully position one of the assembled ridge beam covers over the center ridge beam joint. Arrange for an assistant on the outside of the building (while standing on a ladder) to position and apply downward pressure to the ridge cover.
2. From the inside of the building, starting from the far gable end of the building, attach ridge cover using 10mm (3/8") long self tapping screws and washers through the fixing holes provided in the roof panels next to each ridge beam. **NOTE...**The self tapping screws go through to the outer return lip of the ridge beam cover assembly. Repeat instructions to attach the two remaining ridge cover assemblies. (See illustration)



STEP
21

RIDGE END CAP INSTALLATION

1. Select 6 ridge cover end caps No. 49H. Attach one to each end of the 3 ridge beam cover assemblies. Use 10mm (3/8") long self tapping screws and washers to attach each end cap.



STEP
22

ROOF EDGE TRIM INSTALLATION

1. Select the required number of roof edge trim sections for your model of building. Attach one section at a time. Attach edge trim using the holes provided on the outer edge of each roof panel using 10mm (3/8") long bolts, nuts and washes. **NOTE...Do not tighten fixing bolts at this time.**
2. When required to join sections of roof edge trim, overlap ends of previously fitted section with section to be joined. Bolt both edge trim sections and roof panel together using a 10mm (3/8") long bolts, nut and washer. **Do not tighten roof edge trim fasteners.**
3. From the hardware pack select 4 roof corner caps. Remove the 4 previously installed corner bolts. Attach a roof corner cap to ends of each roof edge trim. Attach corner cap, edge trim to the roof panel by refitting the 10mm (3/8") long bolts and nut.

TIGHTEN ALL ROOF EDGE TRIM FASTENERS.

SIZE	ROOF EDGE TRIM COMBINATION ORDER	
10x7	741H	741H
10x8	741H	541H
10x9	541H	541H
10x11	741H	541H 741H
10x13	541H	541H 541H

STEP
23

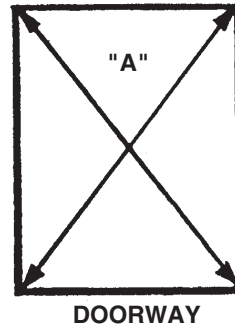
**COMPLETE THE ANCHORING OF YOUR BUILDING NOW!
YOUR BUILDING MUST BE ANCHORED!**

1. Check building position on concrete base and adjust to original planned position.
2. Carefully position base frame in the center of solid base foundation --- to allow at least 100mm (4") of solid base outside the frame.
3. Check base frame for squareness by measuring diagonal corners. Your measurements should be equal! See "A"
4. Inside your base frame...there are 6mm (1/4") holes in the entry ramp and on the inside flange of the front, side and rear base rails. **These are anchor holes**...for installation of anchor screws into the concrete or patio stones. See "B" and "C"
5. When your base frame is square...use a black felt pen to mark location of anchor hole center on the concrete. **Mark for all anchor holes.**
6. With an electric drill and a Carbide Bit (Check size to suit anchor shield)...drill proper holes into concrete at each mark.
7. Insert anchor shields into each hole.
8. Fasten all base rails to concrete with anchor screws.

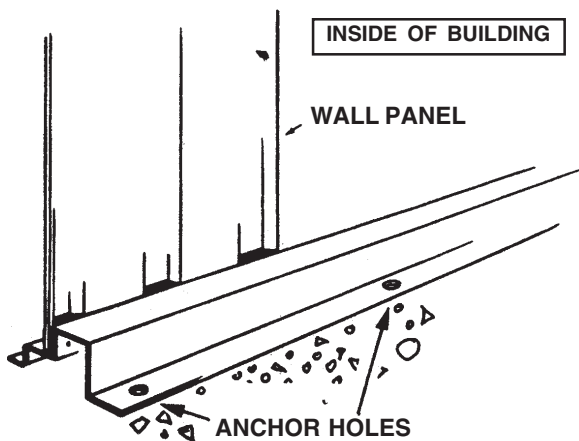
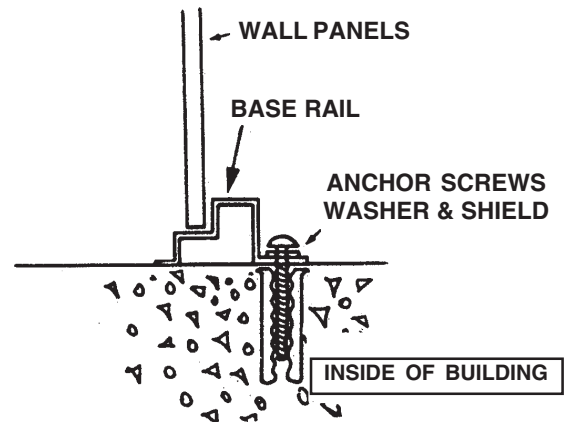
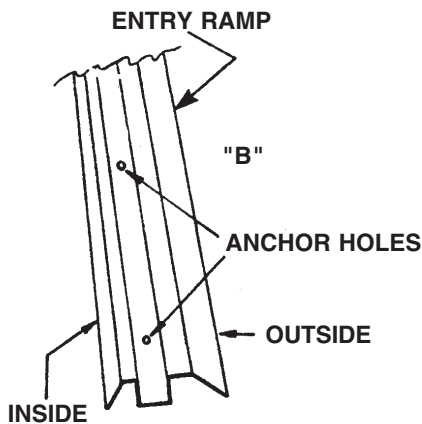
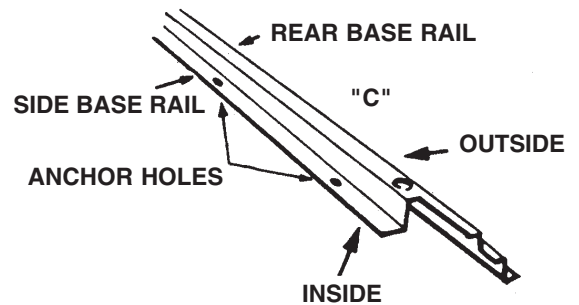
NOTE: Anchor screws, washers and shields are **NOT** supplied as part of the hardware package and may be purchased at your local store. You will require No. 10 concrete anchor screws 38mm (1 1/2") long with washers and expansion shields **PLUS** a Carbide Bit to suit.

QUANTITY REQUIRED

10x7 - 20	10x8 - 20	10x9 - 20
10x11 - 24	10x13 - 24	



**ANCHOR SCREWS
WASHER & SHIELD**



IMPORTANT

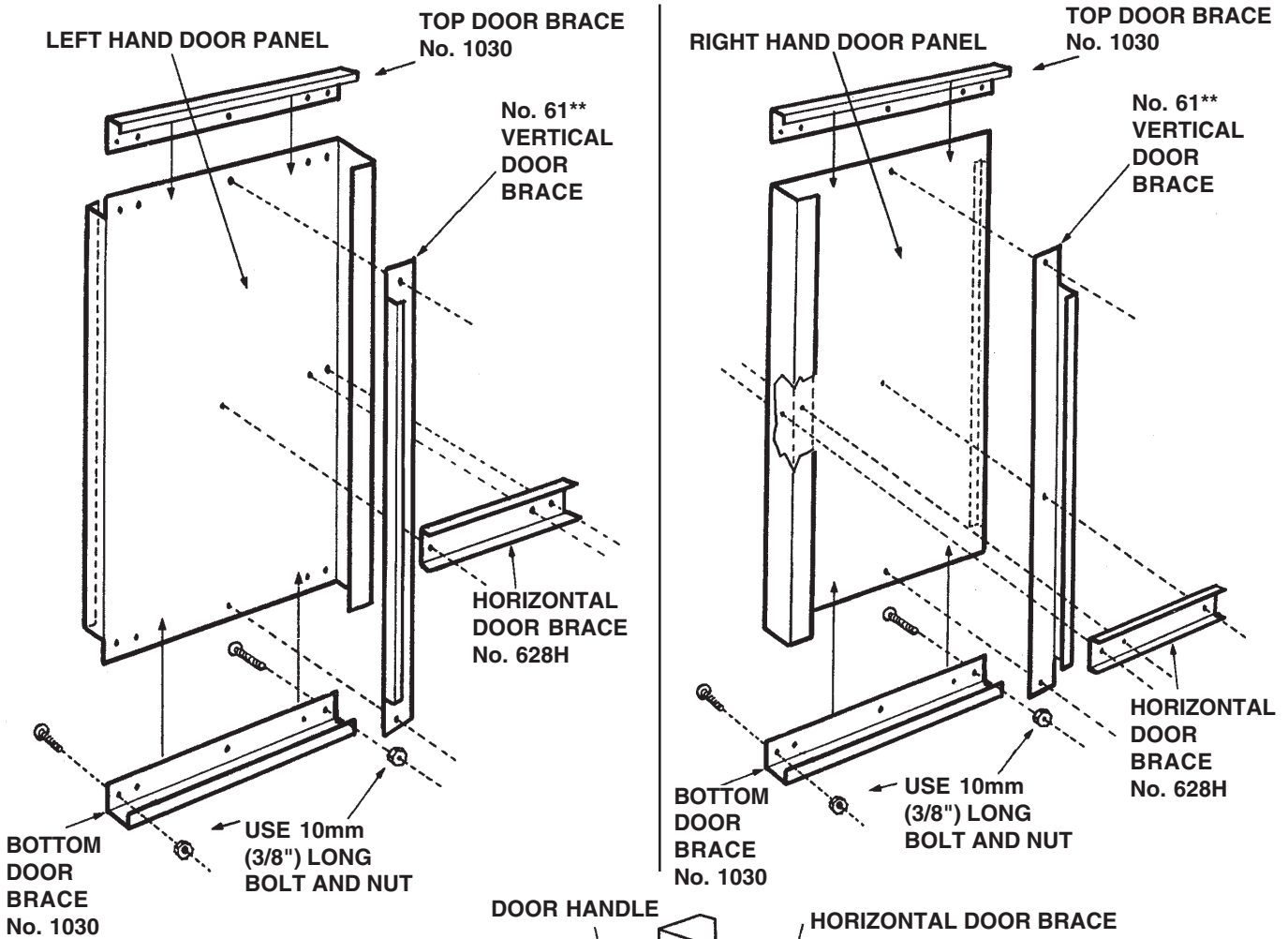
This building is designed to withstand normal wind loads when installed according to instructions. Manufacturer cannot be held responsible for any consequences due to buildings that are not installed per instructions or for damage due to any weather conditions or acts of God.

STEP
24

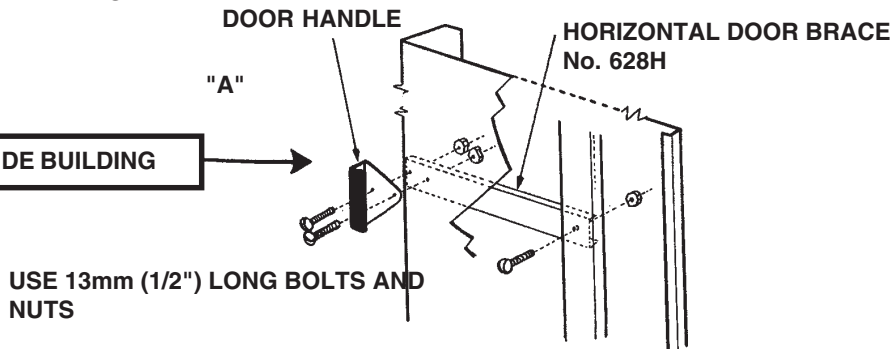
DOOR AND HARDWARE ASSEMBLY

1. Install door braces No. 1030 over top and bottom of left door panel...**exactly as illustrated below**. Line up holes in brace with holes in door panel. **Fasten at ends only.**
2. Position vertical door brace No. 61** to line up with holes in door panel as shown. **Fasten at ends only.**
3. Install horizontal door brace No. 628H. Fasten to vertical door brace and door panel and install door handle. See "A"
4. Repeat for right door panel.

* VIEWED FROM INSIDE BUILDING *



VIEWED FROM OUTSIDE BUILDING

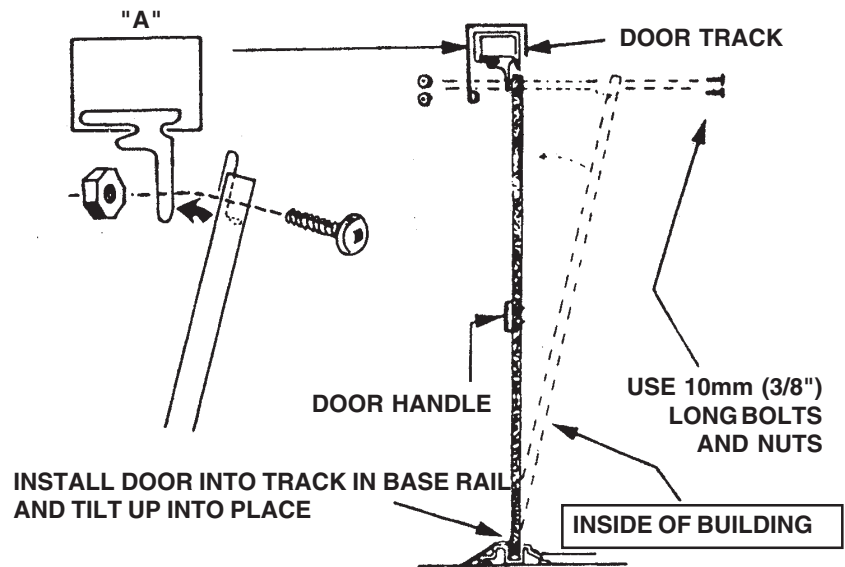


STEP

25

DOOR INSTALLATION (FROM INSIDE)

1. Inside and near the corner of building, install bottom lip of left door into track formed in base rail.
2. Position top of door so that holes in door line up with CENTER holes in door glide. Fasten door glides to door with 10mm (3/8") long bolts and nuts from **THE INSIDE**. See "A"
3. Install right hand door in the same manner.



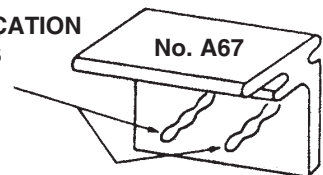
STEP

26

DOOR ADJUSTMENT (FROM INSIDE)

1. Close doors to see if they meet squarely. There are 3 holes in each of the door glides to raise or lower doors as required for a square fit.

ADJUST BOLT LOCATION
IN THESE 3 HOLES
FOR SQUARE FIT



CARE AND MAINTENANCE

- **Finish:** For long lasting finish, periodically clean and wax the exterior surface. Touch up scratches as soon as you notice them on your building. Immediately clean the area with a wire brush; wash it and apply touch up paint per manufacturer's recommendation.
- **Roof:** Keep roof clean of leaves and snow with long handled, soft bristled broom. Heavy amounts of snow on roof can damage the building making it unsafe to enter.
- **Doors:** Keep doors closed to prevent wind damage.
- **Fasteners:** Regularly check your building for loose screws, bolts, nuts, etc. and retighten them as necessary.
- **Moisture:** With changing temperatures, condensation can accumulate inside the building.
- **Other Tips:** A non-corrosive caulking is helpful to seal the building.

Do not store swimming pool chemical in your building. Combustibles and corrosives must be stored in airtight containers.

**REPLACEMENT PARTS OR ANY QUESTIONS REGARDING YOUR BUILDING SHOULD
BE REFERRED DIRECTLY TO CUSTOMER SERVICE. DO NOT CONTACT YOUR
DEALER, THEY ARE NOT EQUIPPED TO SERVICE YOUR REQUESTS AS PROMPTLY AS
THE
CUSTOMER SERVICE DEPARTMENT (1-800-851-1085).**

PARTS REPLACEMENT ORDER FORM

** MODEL NO. _____ **			NAME: _____																		
Parts Required	<table border="1" style="width: 100%; border-collapse: collapse;"> <thead> <tr> <th style="width: 30%;">PART NO.</th> <th style="width: 20%;">QTY.</th> <th style="width: 50%;">COLOR</th> </tr> </thead> <tbody> <tr><td> </td><td> </td><td> </td></tr> <tr><td> </td><td> </td><td> </td></tr> <tr><td> </td><td> </td><td> </td></tr> <tr><td> </td><td> </td><td> </td></tr> <tr><td> </td><td> </td><td> </td></tr> </tbody> </table>	PART NO.	QTY.	COLOR																ADDRESS: _____	
	PART NO.	QTY.	COLOR																		
CITY: _____ PROVINCE/STATE: _____																					
POSTAL CODE/ZIP: _____ TELEPHONE: _____																					
PURCHASED FROM: _____																					
STORE ADDRESS: _____																					
DATE PURCHASED: _____																					
FOR PARTS REPLACEMENT PLEASE CONTACT CUSTOMER SERVICE DEPARTMENT. TELEPHONE NO. (1-800-851-1085)																					

**or Mail To: 3069 Wolfedale Road
Mississauga, Ontario L5C 1V9**